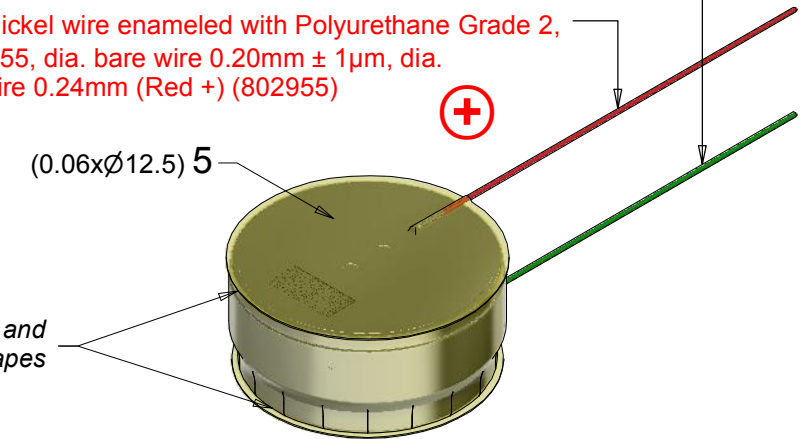


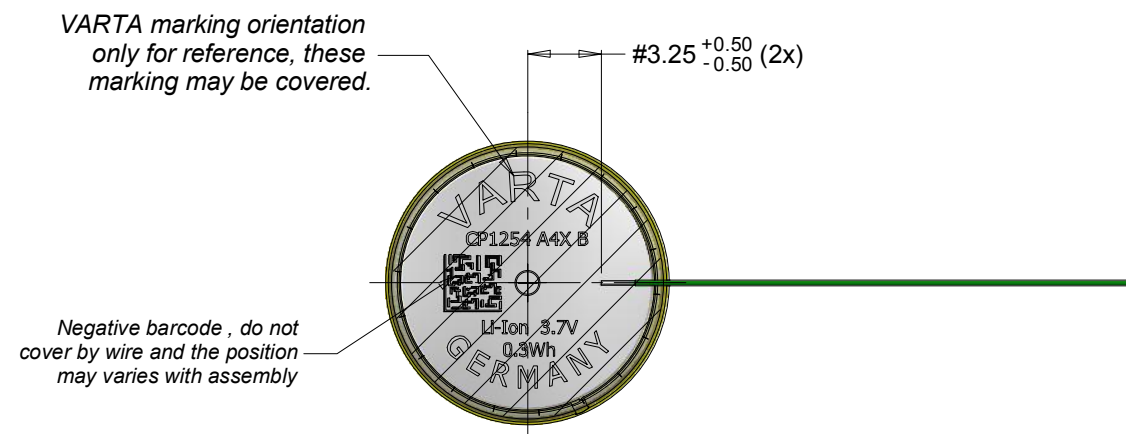
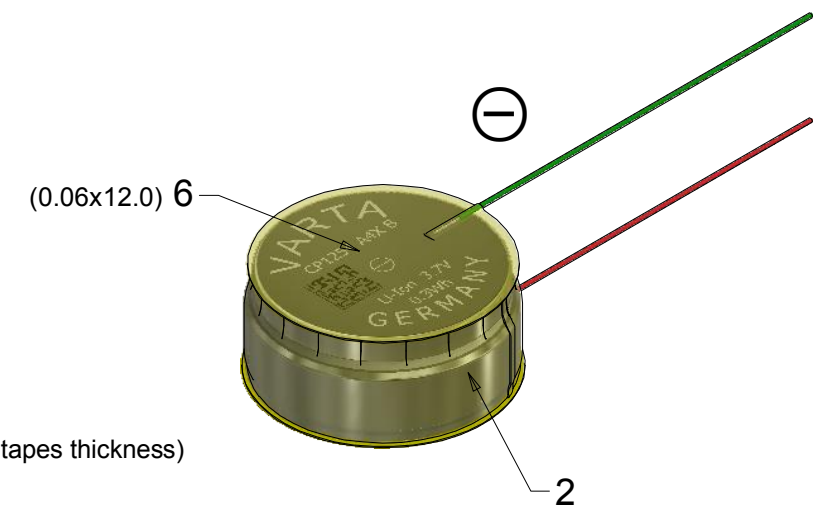
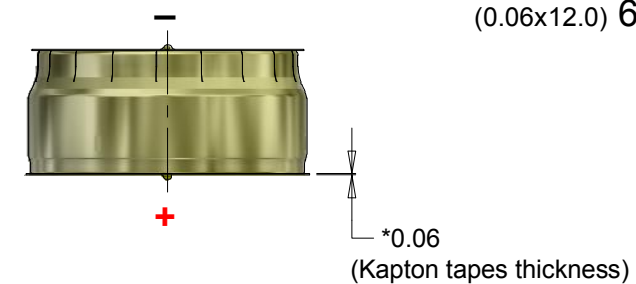
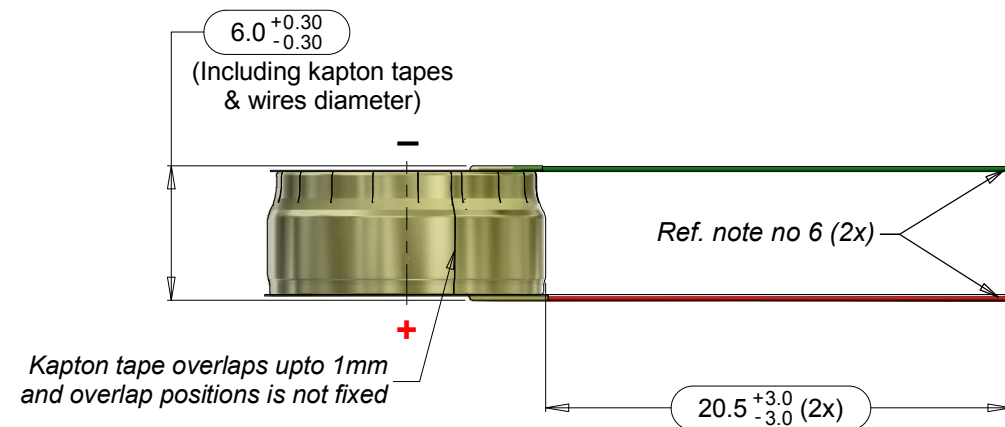
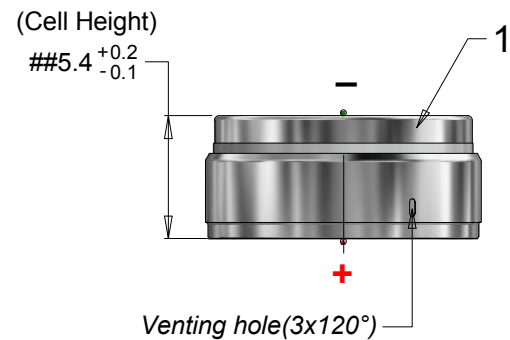
4 Solid nickel wire enameled with Polyurethane Grade 2, Ni99.6V155, dia. bare wire $0.20\text{mm} \pm 1\ \mu\text{m}$, dia. coated wire 0.24mm, (Green -) (802111)

3 Solid nickel wire enameled with Polyurethane Grade 2, Ni99.6V155, dia. bare wire $0.20\text{mm} \pm 1\ \mu\text{m}$, dia. coated wire 0.24mm (Red +) (802955)

No expose allowed on positive surface and negative, cover with kapton tapes



View without kapton tapes



Approx. wt : 1.8 g

Note : 1) *Dimensions for reference only.

2) \varnothing Dimensions to be considered for measurement.

3) #Dimension to be controlled by fixture.

4) ##Handling Precautions and Prohibitions for VARTA CoinPower Batteries.

5) BATTERY VALIDATION INCLUDING SAFETY ELECTRONICS MUST BE DONE BY CUSTOMER ACCORDING TO UL 2054.

6) Both wires (red & green) wavy due to flexible & small wire diameter, wire angle inconsistent and no insulation stripping at free end.

3	23-R056	Replaced cell from CP1254 A4 to CP1254 A4X B	2023-04-25	Tholib S
2	23-R040	Replaced cell from CP1254 A4X B to CP1254 A4	2023-03-09	Ian
1	23-R035	Replaced cell from CP1254 A4X to CP1254 A4X B	2023-02-27	Tholib S
0	22-N015	Refer to provisional drawing #P06-00868, rev 100	2022-08-11	Jadi
No	AO No	Revision	Date	Name

Projection :		Material : Refer to part list no: 805393	Description : CP1254 A4X B IP W SOC 30% with enameled wires & kapton tapes
Dimension in mm		Date	Name
Tolerance : As specified	Prepared	2022-08-11	Jadi
Scale : NTS	Checked	2023-04-25	Ian
	Approved	2023-04-25	Sunil S
Dwg. No : 805393		4 0 3	
VKB Order No: 63125 201 330			

Rights reserved to make technical changes, as a result of further development, without notice. This drawing is the property of VARTA Microbattery and must not be copied or disclosed to a third party without the written consent of VARTA Microbattery.

