

Functional characteristics

Width of PCB: 100 mm - 107.5 mm (3.937 in - 4.232 in)
Support Type: extruded
Standard Colour: green
Thickness of PCB: 1.6 ÷ 2.8 mm (.063 ÷ .110 in)
Material: PA6.6 and PVC (UL94-V0)

Description

- 1 Central Body
- 2 Left Lateral Element with Rail Hook
- 3 Right Lateral Element with Rail Hook
- 4 Head Without Rail Hook
- 5 DIN Rail Hook
- 6 Left High Lateral Element with Rail Hook
- 7 Left High Lateral Element with Rail Hook
- 8 Right High Lateral Element with Rail Hook
- 9 Right High Lateral Element with Rail Hook
- 10 High Lateral Element Without Rail Hook

Part-Number	Pcs/pack
STC107S	50
STC1072000	10
STC107L	100
STC107TSX0	50
STC107TDX0	50
STC107T000	100
STC107P011	100
STC107TS60	25
STC107TS73	25
STC107TD60	25
STC107TD73	25
STC107T060	100

- 11 High Lateral Element Without Rail Hook
- 12 Protection Cover
- 13 Screw for Head Fastening (L= 15 mm)
- 13 Screw for Head Fastening (L= 25 mm)
- 14 Screw for Cover Fastening (L= 15 mm)
- 15 Bracket for Mounting on the Wall
- 16 Size of STD Adapter for 3.937 in (100 mm) PCB

STC107T073	100
STC107C	50
STC107D	50
STC000V015	100
STC000V025	100
STC000VC15	100
STC000F000	100
STC107A039	50

1

Custom Sized Cut Profile

For a Custom Sized Cut Profile, the length of the Central Body must be equal to the length of the PCB minus 3.5 mm (.138 inch). It's advised to round off the figure to the higher whole number. The length of the support, including the Lateral Elements, is equal to the length of the Profile plus 6 mm (.236 inch).

Example

For PCB		Cut Profile sizes L		Support Length		Part-Number	Pcs / pack
(mm)	(in)	(mm)	(in)	(mm)	(in)		
38.50	1.516	35,00	1.378	41.00	1.614	STC107S035	50
55.00	2.165	51,50	2.028	57.50	2.264	STC107S051	50
73.50	2.894	70,00	2.756	76.00	2.992	STC107S070	50
-----	-----	Profile for PCB with L = 2 m (78.740 in)		-----	-----	STC1072000	10
L + 3.5	L +.137	Custom		L + 6	L +.236	STC107L_ _ _	100

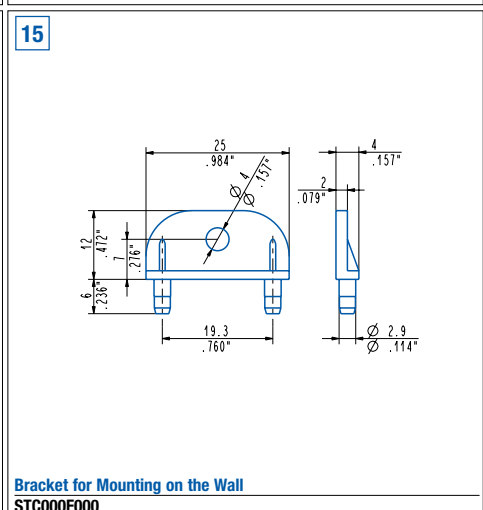
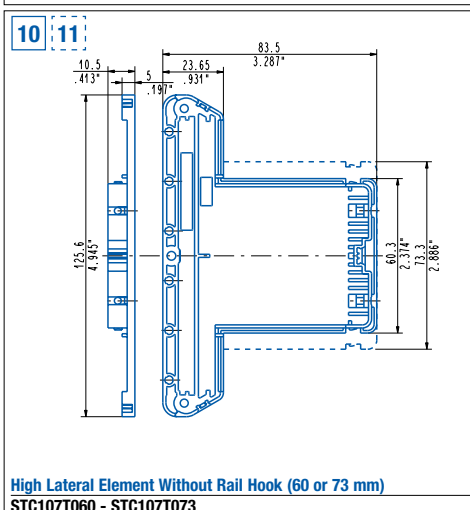
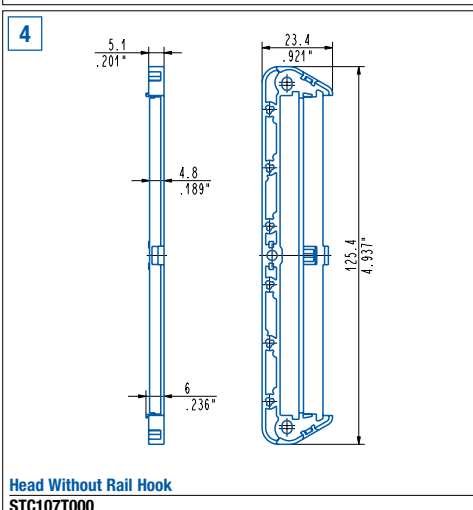
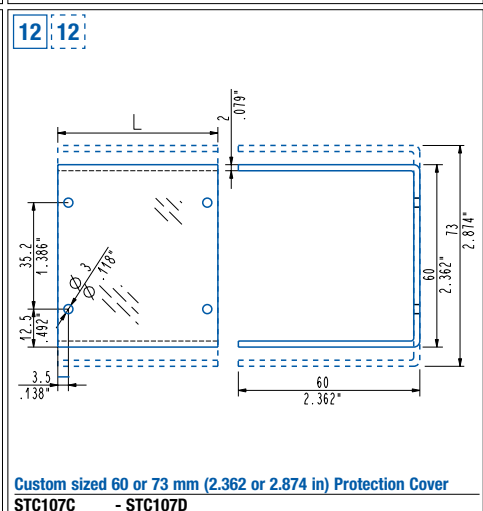
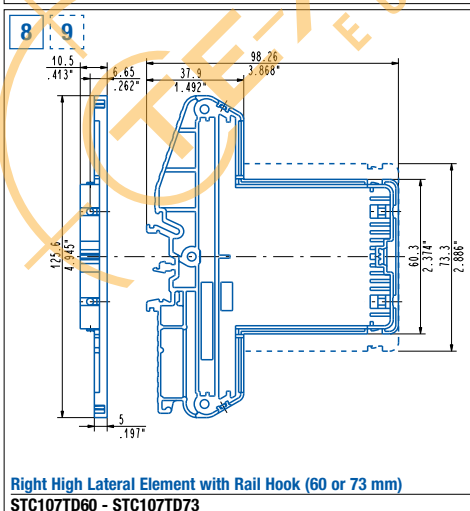
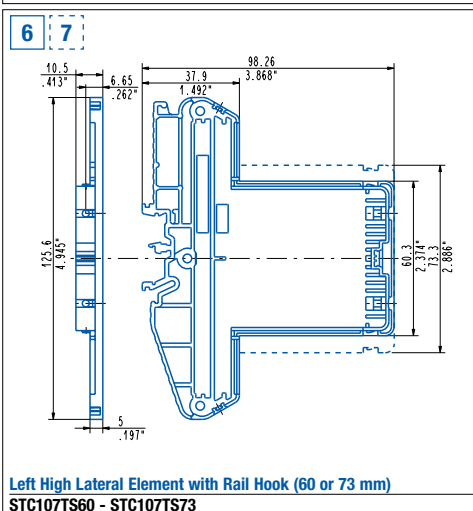
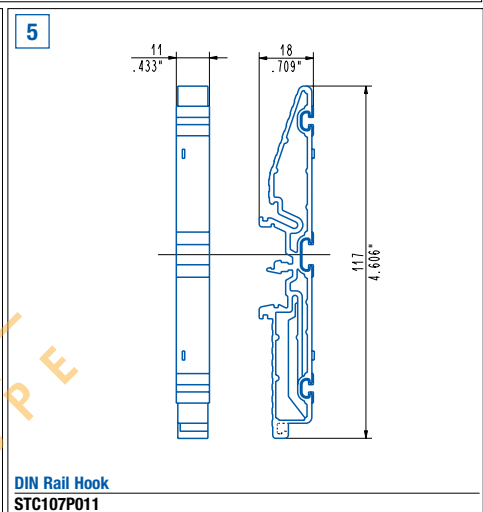
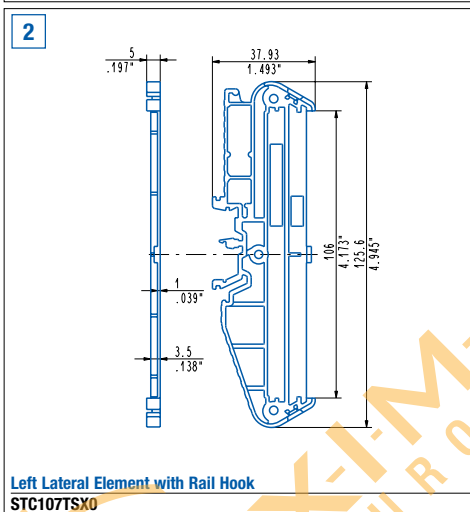
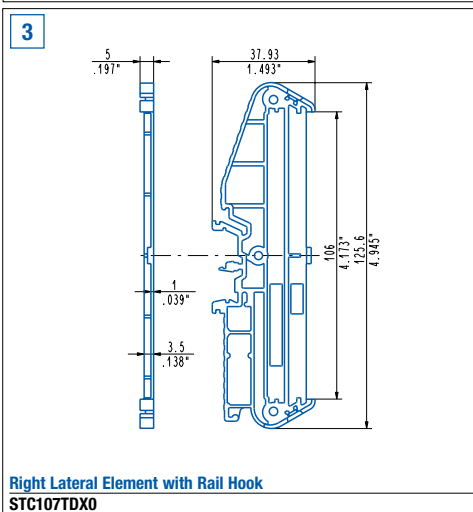
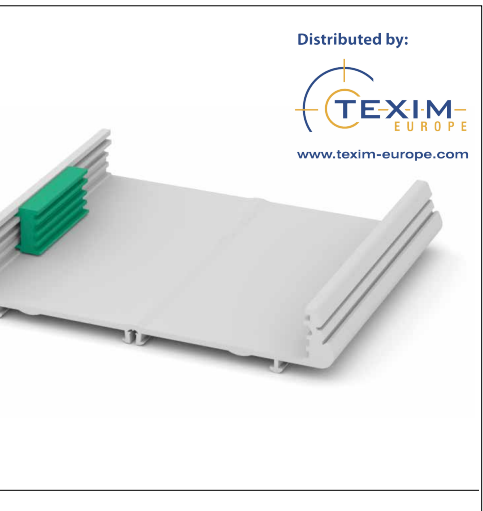
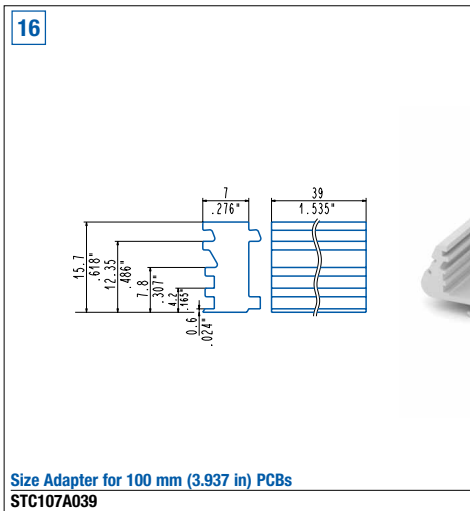
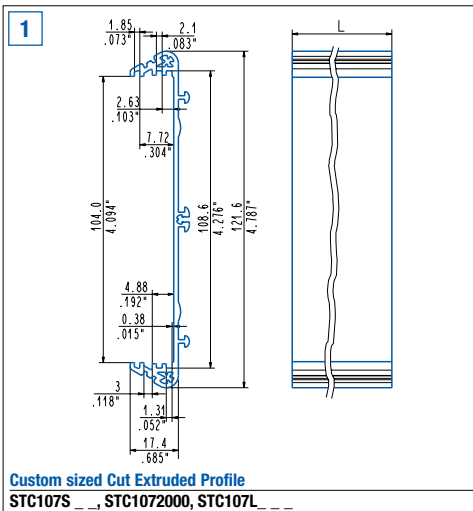
12

Custom sized Protection Cover

For Custom sized Protection Cover, length of the piece must be equal to the corresponding length of the Profile, that is the length of the PCB minus 3.5 mm (.137 in). It's advised to round off the figure to the higher whole number. The Length of the Support, including the Lateral Elements, is equal to the Length of the Profile plus 6 mm (.236 in).

Example

L		Part-Number	Pcs / pack	For PCB		Support Length	
				(mm)	(in)	(mm)	(in)
Custom size	for 60 mm (2.362 in) Protection Cover	STC107C	50	L + 3.5	L +.137	L + 6	L +.236
70 mm (2.756 in)	for 60 mm (2.362 in) Protection Cover	STC107C070	50	73.5	2.893	76	2.992
Custom size	for 73 mm (2.874 in) Protection Cover	STC107D	50	L + 3.5	L +.137	L + 6	L +.236
70 mm (2.756 in)	for 73 mm (2.874 in) Protection Cover	STC107D070	50	73.5	2.893	75	2.992





Headquarters & Warehouse

Elektrostraat 17
NL-7483 PG Haaksbergen
The Netherlands

T: +31 (0)53 573 33 33
E: info@texim-europe.com
Homepage: www.texim-europe.com



The Netherlands

Elektrostraat 17
NL-7483 PG Haaksbergen

T: +31 (0)53 573 33 33
E: nl@texim-europe.com



Belgium

Zuiderlaan 14, box 10
B-1731 Zellik

T: +32 (0)2 462 01 00
E: belgium@texim-europe.com



UK & Ireland

St Mary's House, Church Lane
Carlton Le Moorland
Lincoln LN5 9HS

T: +44 (0)1522 789 555
E: uk@texim-europe.com



Germany - North

Bahnhofstrasse 92
D-25451 Quickborn

T: +49 (0)4106 627 07-0
E: germany@texim-europe.com



Germany - South

Martin-Kollar-Strasse 9
D-81829 München

T: +49 (0)89 436 086-0
E: muenchen@texim-europe.com



Austria

Warwitzstrasse 9
A-5020 Salzburg

T: +43 (0)662 216 026
E: austria@texim-europe.com



Nordic

Søndre Jagtvej 12
DK-2970 Hørsholm

T: +45 88 20 26 30
E: nordic@texim-europe.com



Italy

Via Matteotti 43
IT-20864 Agrate Brianza (MB)

T: +39 (0)39 9713293
E: italy@texim-europe.com