

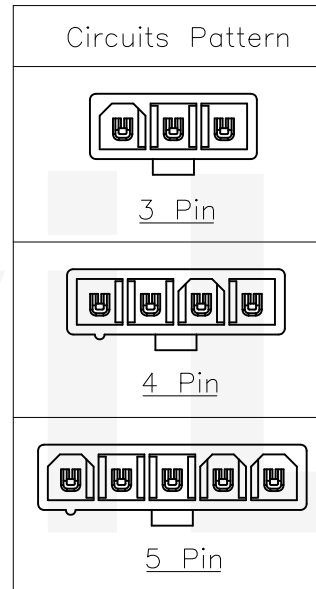
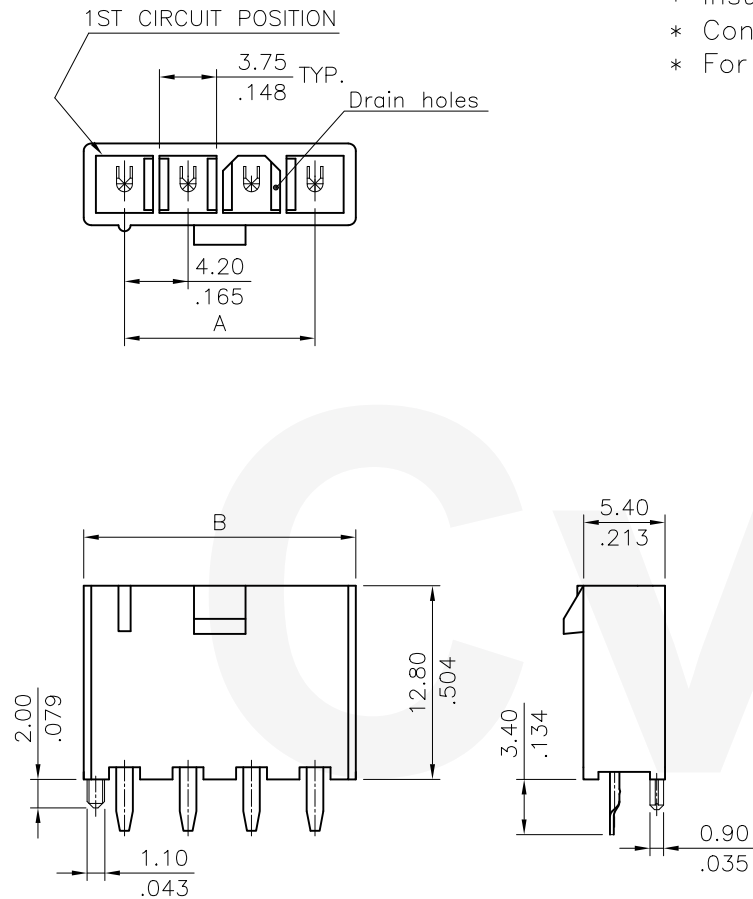
Ordering Code:

CP-01 3 ** * 3 S -Z
 ① ② ③ ④ ⑤ ⑥ ⑦

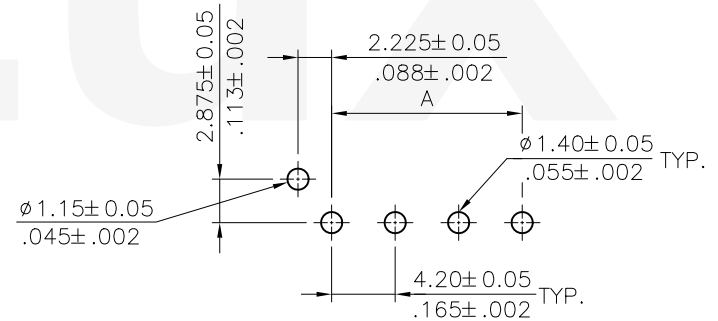
- ① Series No.
- ② Type of Connector:
3= Straight PCB mount header
- ③ No of Circuits:
- ④ Plating Code:
1= 2.54μm(100μ") Tin over 1.02μm(40μ") Nickel
2= Gold flash plated over 1.27μm(50μ") Nickel
B= Selective 0.38μm(15μ") gold plated over 1.27μm(50μ") Nickel
C= Selective 0.76μm(30μ") gold plated over 1.27μm(50μ") Nickel
- ⑤ Variation:
3= UL 94V-0, Without mounting pegs
With Drain holes
- ⑥ S= Single Row Header
- ⑦ -Z= With Pegs

Notes:

- * Insulation: Nylon 66, Color Nature
- * Contact: Brass
- * For Tin-Lead Wave Flow Process





Circuits	Dimension	
	A	B
3	8.4(.331)	13.8(.543)
4	12.6(.496)	18.0(.709)
5	16.8(.661)	22.2(.874)



Recommended P.C. Board Layout

Halogen-Free Tin-Lead Process RoHS Compliant

④					DATE	UNIT: mm / inch	TITLE: STRAIGHT HEADER	 瀚荃股份有限公司 CviLux Corporation
③				DRAWN BY: Karen	4/3-18'	TOLERANCE UNLESS OTHERWISE SPECIFIED	CP-01 POWER CONNECTOR	
②				ENGINEER: Sun	4/9-18'	.X ± 0.38/015 X* ± r	MATERIAL:	DRAWING NO. CP01160SA PART NO. CP-013**1*S-Z
①				CHECKED BY: Eisley	4/11-18'	.XX ± 0.25/010 .X* ±	CUSTOMER: TCF0309	SCALE 3 / 1 SHEET 1 OF 1
SYM	NAME	DATE	REVISIONS	APPROVED BY: Eisley	4/11-18'	.XXX ± 0.10/004 .XX* ±		


 2018.04.12
 ISSUED