



GREEN MODE

RoHS

Country of Origin : China
 Operating Temperature : 0~40 [°C]
 Dimension : 63.6 x 29.5 x 45.6 [mm]
 Efficiency level (ErP) : VI



Approvals / Marks :



Specifications

Basic Models	Voltage DC	Loading	Max. Power	Ripple / Noise	Connector
SYS1381N-1205-Wxx	5	0~2.4	12	150	2.1x5.5x11
SYS1381N-1205-Wxx	5	0~2.4	12	150	1.7x5.5x11
SYS1381N-1205-Wxx	5	0~2.4	12	150	Micro USB
SYS1381N-1206-Wxx	6	0~2.0	12	150	2.1x5.5x11
SYS1381N-1207-Wxx	7,5	0~1.6	12	150	2.1x5.5x11
SYS1381N-1209-Wxx	9	0~1.33	12	150	2.1x5.5x11
SYS1381N-1212-Wxx	12	0~1.0	12	150	2.1x5.5x11
SYS1381N-1215-Wxx	15	0~0.8	12	180	2.1x5.5x11
SYS1381N-1218-Wxx	18	0~0.66	12	200	2.1x5.5x11
SYS1381N-1224-Wxx	24	0~0.5	12	250	2.1x5.5x11

Features:

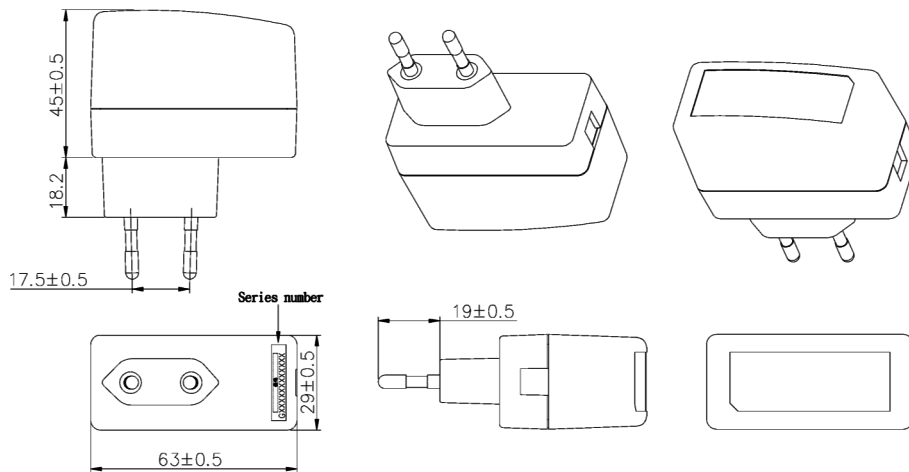
Certified plugs Wxx = W2E - Europe | W3U - England | W2 - USA, Canada, Japan,Taiwan | W2A - Australia | W2C - China

For all models, the minimum rising step of output voltage is 0.1V - 4.0V~24V 12W max | Private Label Marking Available | 2 Years Warranty

OUTPUT	
Turn delay	5000ms max@AC low line input@output full load
Hold up time	10ms min@AC nominal input@output full load
Efficiency (Normal)	>79.94%min. Eff= 0.071 x ln(Po/1W) - 0.0014 x Po/1W + 0.67 Directive EU 2019/1782
Transient response (dv,tmax)	0.3V dv max at AC nominal input loading from 50Ω load to max 16ms tmax Dynamic rise time 10 us max,duty 40ms max,Dynamic load step is slew rate of 0.5A/us
Burn in limit	Ambient temp: 35C+/-3%; 80% load; input voltage 230V; 2 hours.
Power consumption	0.1W max. At AC nominal input@output min load
INPUT	
Voltage	(90~264)VAC
Frequency	(47~63)hz
Current	0.5A rms@AC low line input and DC output full load
Inrush Surge Current (cold start)	40/60A max@power supply cold start,ambient temperature 25°C @115Vac/230Vac nominal AC input
leakage current	0.25 mA max
PROTECTION	
Over current/ Short protection	The power supply will self-protect any output to ground, And auto recovery when abnormal circuit faults remove. An output short
Over Voltage	The power supply will not be auto recovered when faults remove
Input protection	F1:1A /250V Fuse. The power supply shall be protected against
No Load protection	The power supply is provided with no load operation to prevent
Protection class	II

CE	
EMC	2014/30/EU
LVD	2014/35/EU EN 62368-1:2014+A11:2017
SAFETY	
CE CB TUV/GS UKCA	
OTHERS	
Dielectric Strength (Hi-pot)	HI-POT B / IEC 320 2pin primary to secondary 4000Vdc 10mA 1min
M.T.B.F	500,000 Calculated Hours at 25°C, by Telcordia SR-332
Cable Length	1370mm (4.5 feet) standard cable or as required
PLD (power line disturbance)	Line power surge Line voltage SAG-more info on request
Cooling method	Natural Convection Cooling
Housing material	PC
Temperature coefficient:	< ±0.5% / °C
ENVIRONMENT	
Temperature	Operating: 0~40°C / Storage: -20~85°C
Humidity	Operating: 8%~90%RH / Storage: 5%~95% RH non condensing
WEIGHT	
NW:	85 g/pc
Box:	11,5 kg
PACKING	
Box	100 pcs/1 box

Mechanical case specification:



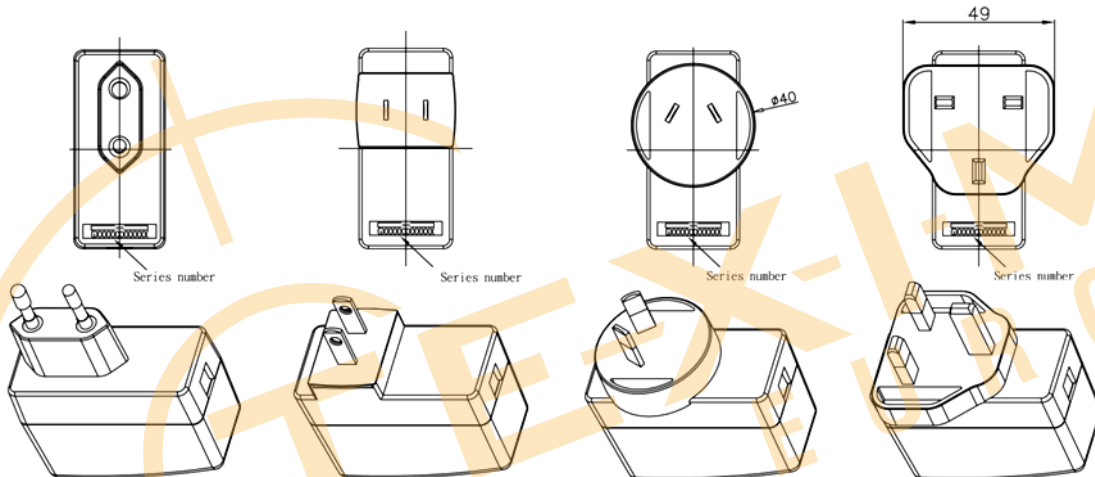
Mechanical specification (country housing):

Europe / Korea type (W2E/W2K)

US / Canada type (W2)

Australia type (W2A)

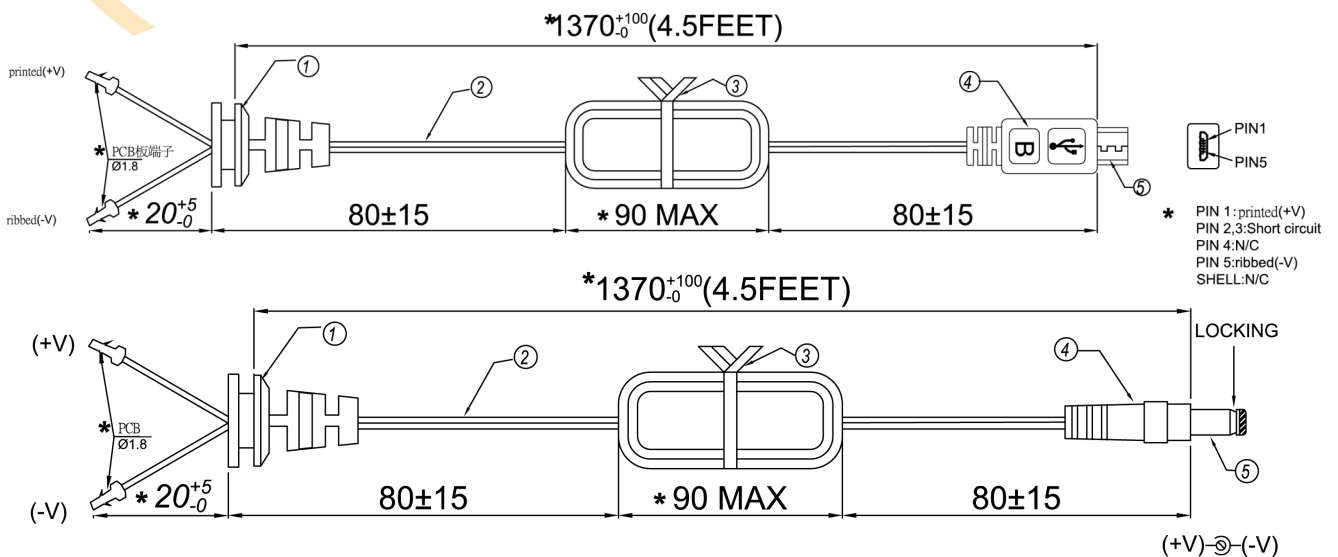
UK type (W3U)



Cable specification:

Connectors 2.1*5.5*11; 1.7*5.5*11; micro USB

Cable (2468#20*2C / 4.5FT)



Disclaimer

ALL PRODUCTS, PRODUCT SPECIFICATIONS AND DATA ARE SUBJECT TO CHANGE WITHOUT NOTICE TO IMPROVE RELIABILITY, FUNCTION OR DESIGN OR OTHERWISE.

Texim Europe B.V. its affiliates, agents, and employees, and all persons acting on its or their behalf (collectively, "Texim"), disclaim any and all liability for any errors, inaccuracies or incompleteness contained in any datasheet or in any other disclosure relating to any product.

Texim makes no warranty, representation or guarantee regarding the suitability of the products for any particular purpose or the continuing production of any product.

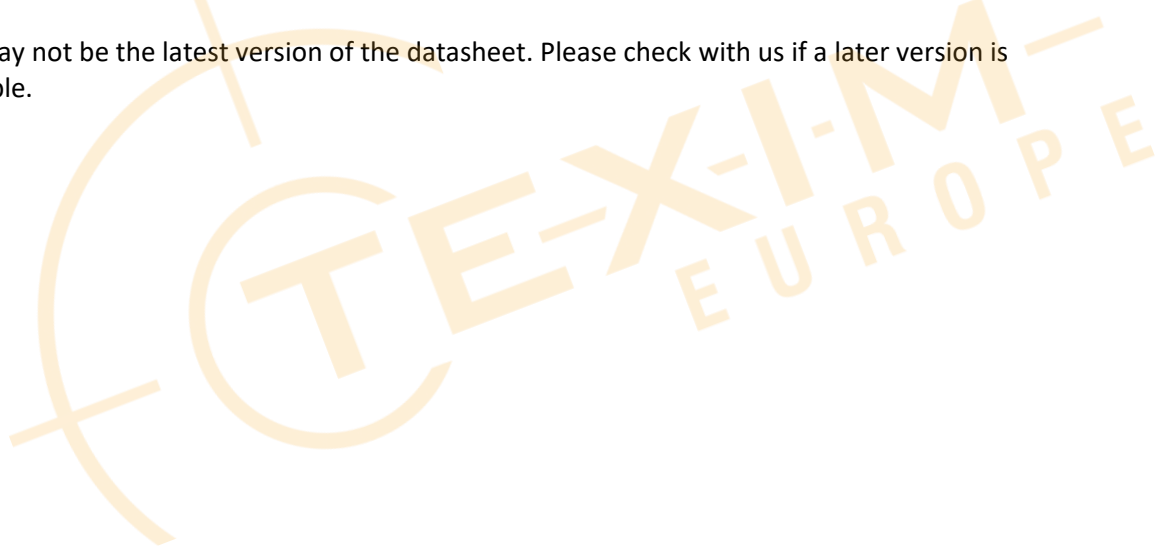
It is the customer's responsibility to validate that a particular product with the properties described in the product specification is suitable for use in a particular application.

Parameters provided in datasheets and / or specifications may vary in different applications and performance may vary over time.

All operating parameters, including typical parameters, must be validated for each customer application by the customer's technical experts.

Please contact us if you have any questions about the contents of the datasheet.

This may not be the latest version of the datasheet. Please check with us if a later version is available.





Headquarters & Warehouse

Elektrostraat 17
 NL-7483 PG Haaksbergen
 The Netherlands

T: +31 (0)53 573 33 33
 E: info@texim-europe.com
 Homepage: www.texim-europe.com



The Netherlands

Elektrostraat 17
 NL-7483 PG Haaksbergen

T: +31 (0)53 573 33 33
 E: nl@texim-europe.com



Belgium

Zuiderlaan 14, box 10
 B-1731 Zellik

T: +32 (0)2 462 01 00
 E: belgium@texim-europe.com



UK & Ireland

St Mary's House, Church Lane
 Carlton Le Moorland
 Lincoln LN5 9HS

T: +44 (0)1522 789 555
 E: uk@texim-europe.com



Germany - North

Bahnhofstrasse 92
 D-25451 Quickborn

T: +49 (0)4106 627 07-0
 E: germany@texim-europe.com



Germany - South

Martin-Kollar-Strasse 9
 D-81829 München

T: +49 (0)89 436 086-0
 E: muenchen@texim-europe.com



Austria

Warwitzstrasse 9
 A-5020 Salzburg

T: +43 (0)662 216 026
 E: austria@texim-europe.com



Nordic

Søndre Jagtvej 12
 DK-2970 Hørsholm

T: +45 88 20 26 30
 E: nordic@texim-europe.com



Italy

Martin-Kollar-Strasse 9
 D-81829 München

T: +49 (0)89 436 086-0
 E: italy@texim-europe.com