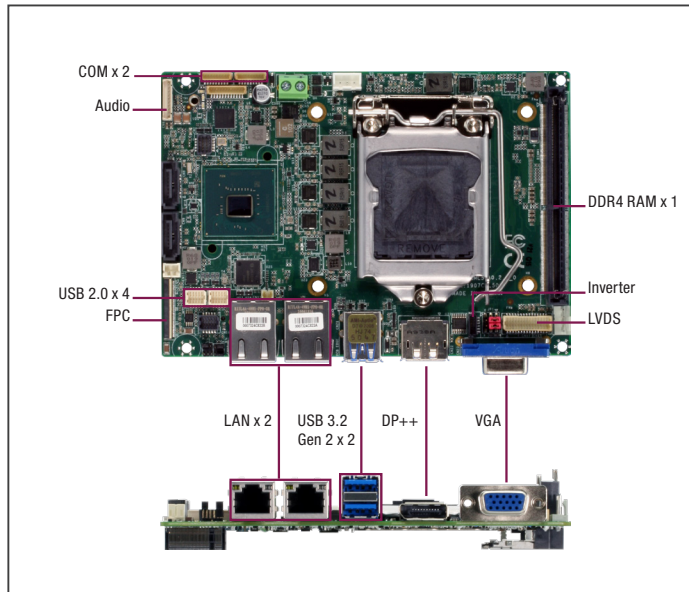


## 3.5" SubCompact Board with 10th Generation Intel® Core™ i7/i5/i3/Pentium®/Celeron® Processor



## Specifications

SYSTEM	
FORM FACTOR	3.5" SubCompact Board
CPU	Intel® 10th Generation Core™/Pentium/Celeron processor: i7-10700TE (8C/16T, 2.00 GHz, up to 4.40 GHz, TDP-up 35W) i5-10500TE (6C/12T, 2.30 GHz, up to 3.70 GHz, TDP-up 35W) i3-10100TE (4C/8T, 2.30 GHz, up to 3.60 GHz, TDP-up 35W) G6400TE (2C/4T, 3.20 GHz, TDP-up 35W) G5900TE (2C/2T, 3.00 GHz, TDP-up 35W)
CHIPSET	Intel® Q470E / H420E / Q470
MEMORY TYPE	DDR4 up to 2933MHz Dual Channel, SODIMM x 2, up to 64GB, Non-ECC
BIOS	UEFI
WAKE ON LAN	Yes
WATCHDOG TIMER	255 Levels
SECURITY	TPM2.0
RTC BATTERY	Lithium Battery 3V/240mAh
DIMENSION	5.75" x 4" (146mm x 101.7mm)
OS SUPPORT	Windows 10 (64bit) Linux Ubuntu 20.04.1/Kernel 5.4
POWER	
POWER REQUIREMENT	+12V
POWER SUPPLY TYPE	AT/ATX
CONNECTOR	Phoenix 2-pin Connector
POWER CONSUMPTION	Intel® i7-10700TE, DDR4 3200Mhz 32GB x2, 5.64A @ +12V(Typical) Intel® i7-10700TE, DDR4 3200Mhz 32GB x2, 10.63A @ +12V(Max)
DISPLAY	
CONTROLLER	Intel® HD Graphics 610/630
LVDS/eDP	LVDS Dual Channel 18/24bit x 1, up to 1920 x 1080
DISPLAY INTERFACE	DP++ x 1, up to 4K x 2K VGA x 1, up to 1920 x 1200
MULTIPLE DISPLAY	3 Simultaneous Displays
AUDIO	
CODEC	Realtek ALC897/892
AUDIO INTERFACE	Line-in/Line-out/MIC
SPEAKER	—
EXTERNAL I/O	
ETHERNET	Intel® i210/i211, 10/100/1000Base, RJ45 x1 Intel® i219, 10/100/1000Base, RJ45 x1 (Support Vpro only with i5/i7 + Q470/Q470E variant)
USB	USB3.2 Gen 2 x 2 (Gen 2 for Q470/Q470E only)
SERIAL PORT	—
VIDEO	DP++ x 1, VGA x 1
INTERNAL I/O	
USB	USB2.0 x 4

## Features

- Intel® Core™ i7/i5/i3/Pentium®/Celeron® Processor
- Non-ECC DDR4 SODIMM Slot x 2, up to 64GB
- DP++ x 1, VGA x 1, LVDS x 1
- GbE x 2, SATA III x 2, DIO x 8bit
- USB 3.2 Gen 2 x 2 (Rear I/O), USB 2.0 x 4 (Pin header)
- RS-232/422/485 x 2
- M.2 M Key 2280 PCIe[x4]/SATA[x1] x 1
- PCIe[x4] x 1 (through Flexible Printed Circuit interface, Q470/Q470E only)



SERIAL PORT	COM1, COM2 (RS232/422/485, supports 5V/12V/RI)
VIDEO	LVDS x 1
SATA	SATA III x 2 +5V SATA Power Connector x 1
AUDIO	Audio Header x 1
DIO/GPIO	8-bit
SMBus/I2C	I2C/SMBus x 1 (Default: I2C)
TOUCH	—
FAN	4pins Smart Fan x1
SIM	—
FRONT PANEL	HDD LED, PWR LED, Power Button, Buzzer, Reset
OTHERS	FPC x 1 (For Q470/Q 470E only)
EXPANSION	
Mini PCI-E/mSATA	—
M.2	M-Key 2280 x 1 (PCIe x4, SATA)
OTHERS	—
ENVIRONMENT & CERTIFICATION	
OPERATING TEMP.	32°F ~ 140°F (0°C ~ 60°C)
STORAGE TEMP.	-40°F ~ 176°F (-40°C ~ 80°C)
OPERATING HUMIDITY	0% ~ 90% relative humidity, non-condensing
MTBF (HOURS)	380,571
EMC	CE/FCC Class A

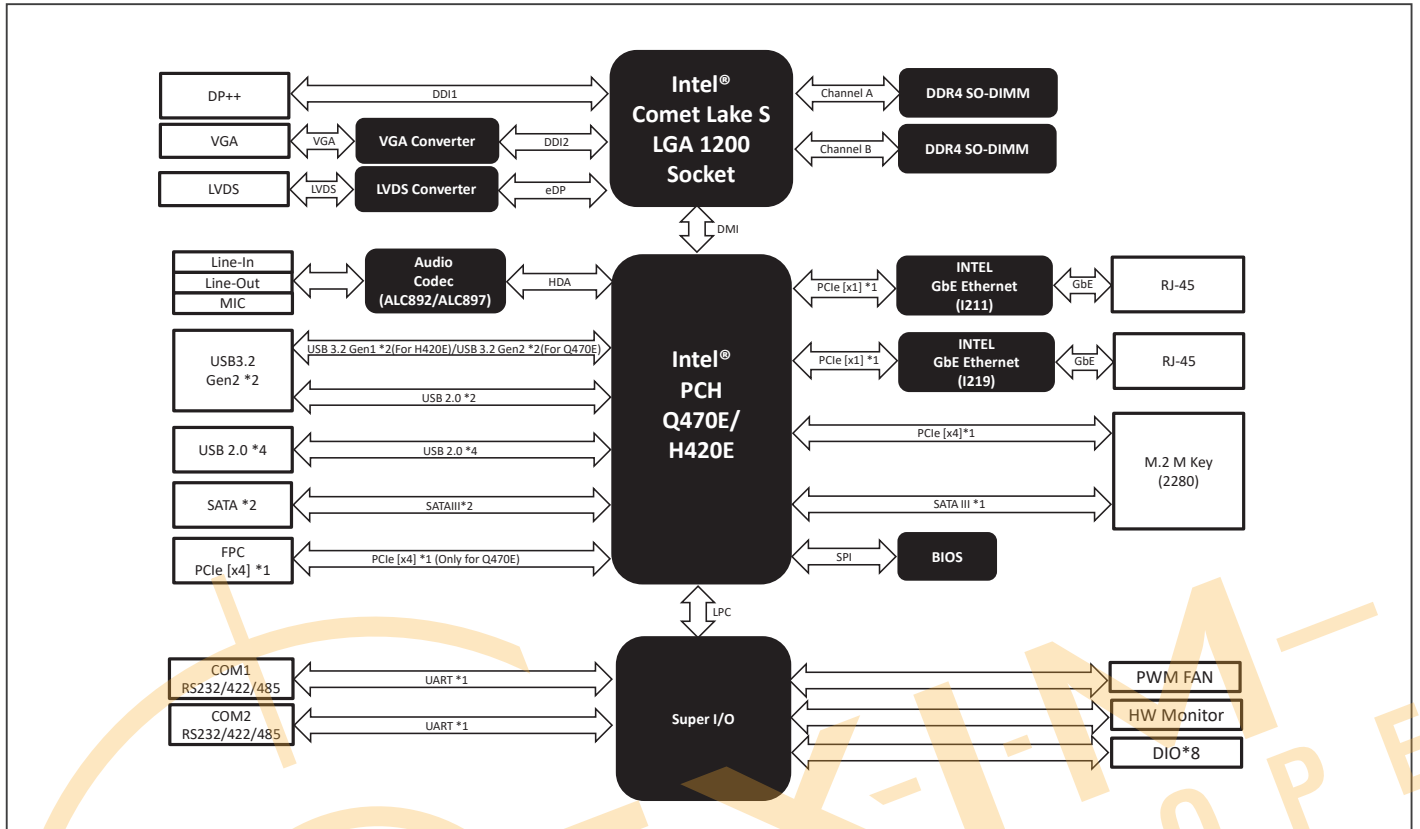
## Optional Accessories

Part Number	Description	QTY per Board
1709070460	SATA Cable, W/LOCK, 46cm	2
1702150155	Power Cable, 15cm	1
170010010D	USB Cable, 10cm	2
1701090122	COM Cable, 12cm	2
1709100254	Audio Jack Cable, 25cm	1

## Packing List

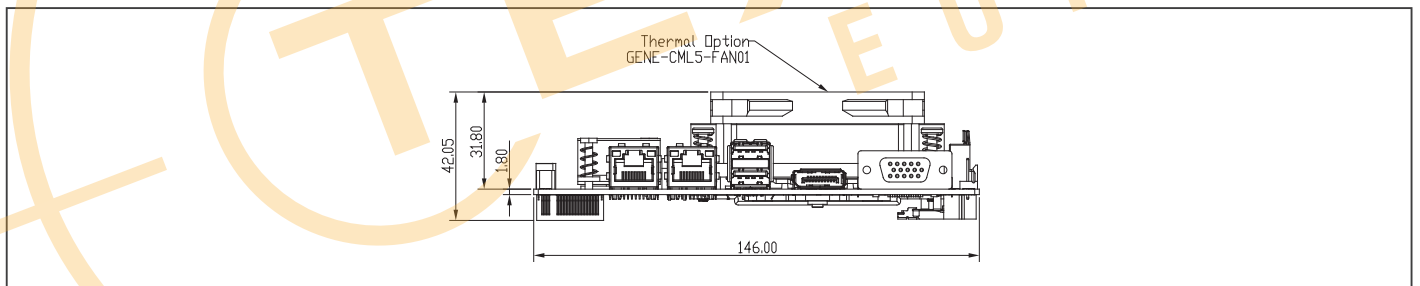
Part Number	Description	QTY
GENE-CML5	GENE-CML5 MB	1
TH1CML5010	CPU Cooler	1
TH6CML5010	CPU Cooler Backplate	2

## Block Diagram



## Dimension

Unit: mm



## Ordering Information

Part Number	CPU	PCH	Display	LAN	USB	RS-232/422/485	Storage	Expansion slot	TPM	Power	Operating Temp
GENE-CML5-A10-0011	FCLGA1200 (Socket Type, TPD up to 35W)	Q470E	DP++ x1 VGA x 1	GbE x 2	USB3.2 Gen2 x 2 USB2.0 x 4	2	SATA x 2	M.2 2280 M Key x 1 PCIe[x4] x 1 (FPC)	TPM2.0	12V	0°C ~60°C
GENE-CML5-A10-0012	FCLGA1200 (Socket Type, TPD up to 35W)	H420E	DP++ x1 VGA x 1	GbE x 2	USB3.2 Gen2 x 2 USB2.0 x 4	2	SATA x 2	M.2 2280 M Key x 1	TPM2.0	12V	0°C ~60°C

## **Disclaimer**

ALL PRODUCTS, PRODUCT SPECIFICATIONS AND DATA ARE SUBJECT TO CHANGE WITHOUT NOTICE TO IMPROVE RELIABILITY, FUNCTION OR DESIGN OR OTHERWISE.

Texim Europe B.V. its affiliates, agents, and employees, and all persons acting on its or their behalf (collectively, "Texim"), disclaim any and all liability for any errors, inaccuracies or incompleteness contained in any datasheet or in any other disclosure relating to any product.

Texim makes no warranty, representation or guarantee regarding the suitability of the products for any particular purpose or the continuing production of any product.

It is the customer's responsibility to validate that a particular product with the properties described in the product specification is suitable for use in a particular application.

Parameters provided in datasheets and / or specifications may vary in different applications and performance may vary over time.

All operating parameters, including typical parameters, must be validated for each customer application by the customer's technical experts.

Please contact us if you have any questions about the contents of the datasheet.

This may not be the latest version of the datasheet. Please check with us if a later version is available.





## Headquarters & Warehouse

Elektrostraat 17  
NL-7483 PG Haaksbergen  
The Netherlands

T: +31 (0)53 573 33 33  
E: info@texim-europe.com  
Homepage: www.texim-europe.com



### The Netherlands

Elektrostraat 17  
NL-7483 PG Haaksbergen

T: +31 (0)53 573 33 33  
E: nl@texim-europe.com



### Belgium

Zuiderlaan 14, box 10  
B-1731 Zellik

T: +32 (0)2 462 01 00  
E: belgium@texim-europe.com



### UK & Ireland

St Mary's House, Church Lane  
Carlton Le Moorland  
Lincoln LN5 9HS

T: +44 (0)1522 789 555  
E: uk@texim-europe.com



### Germany - North

Bahnhofstrasse 92  
D-25451 Quickborn

T: +49 (0)4106 627 07-0  
E: germany@texim-europe.com



### Germany - South

Martin-Kollar-Strasse 9  
D-81829 München

T: +49 (0)89 436 086-0  
E: muenchen@texim-europe.com



### Austria

Warwitzstrasse 9  
A-5020 Salzburg

T: +43 (0)662 216 026  
E: austria@texim-europe.com



### Nordic

Søndre Jagtvej 12  
DK-2970 Hørsholm

T: +45 88 20 26 30  
E: nordic@texim-europe.com



### Italy

Martin-Kollar-Strasse 9  
D-81829 München

T: +49 (0)89 436 086-0  
E: italy@texim-europe.com