

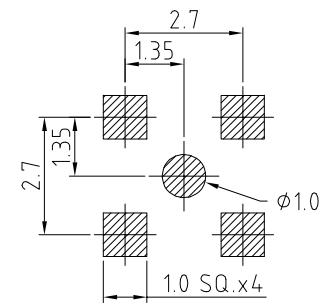
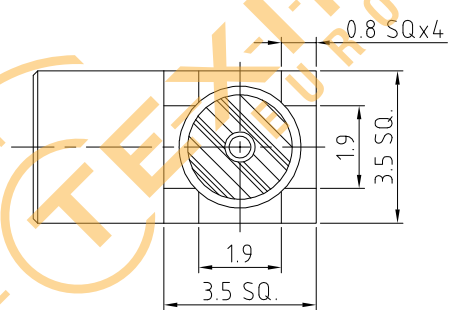
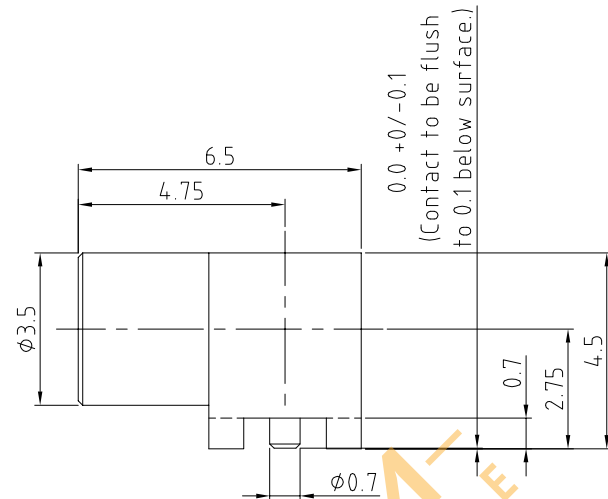
RFPC-MMX05-F : MMCX Right Angle Jack, Surface Mount Type

Material and Plating:
 Insulator: Teflon
 Pin: Beryllium Copper, Gold
 Body: Brass, Gold

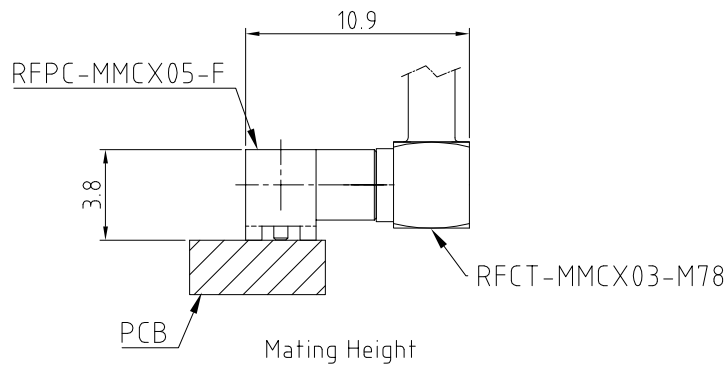
Specification:
 Durability: 500 Mating Cycles Min.
 Operating Temperature: -40°C~+125°C
 Working Frequency Range: DC~6GHz
 Impedance: 50 ohm.

Notes:
 1. The tape & reel packaging is available but not tooled, contact GradConn for more detail.

Distributed by:



Recommended PCB SMT Layout



HOW TO ORDER
 R F P C - M M C X 0 5 - F - X

PACKAGING OPTIONS:
 T = TRAY
 R = TAPE & REEL (SEE NOTES 1.)

Distributed by: **Texim Europe**

www.texim-europe.com

REV. DATE & DRN	10 21/05/19 - NYW RELEASE
	11 24/02/20 - NYW ADD MATING HEIGHT DIAGRAM
	12 27/07/20 - NYW AMEND OPERATING TEMP.
	13 16/02/23 - NYW ADD IMPEDANCE

Scale: NTS	THIRD ANGLE	Unstated X ±0.2 .XX ±0.2 .XXX ±0.2 ANGLES ±5	Tolerances: ±0.2 ±0.2 ±0.2 ±5	Material SEE NOTE
Drawn: NYW				
App'd: XXX	Title JACK			NOT TO SCALE
Date: 14 FEB. '23	Revision: 1.3			Unit: mm

© THIS DRAWING IS CONFIDENTIAL AND MUST NOT BE COPIED OR DISCLOSED WITHOUT WRITTEN CONSENT

Type: RFPC-MMX05-F
RFPC-MMX05-F
Drawing Number:
Sheet 1 of 1
Drawing © E and O E

Disclaimer

ALL PRODUCTS, PRODUCT SPECIFICATIONS AND DATA ARE SUBJECT TO CHANGE WITHOUT NOTICE TO IMPROVE RELIABILITY, FUNCTION OR DESIGN OR OTHERWISE.

Texim Europe B.V. its affiliates, agents, and employees, and all persons acting on its or their behalf (collectively, "Texim"), disclaim any and all liability for any errors, inaccuracies or incompleteness contained in any datasheet or in any other disclosure relating to any product.

Texim makes no warranty, representation or guarantee regarding the suitability of the products for any particular purpose or the continuing production of any product.

It is the customer's responsibility to validate that a particular product with the properties described in the product specification is suitable for use in a particular application.

Parameters provided in datasheets and / or specifications may vary in different applications and performance may vary over time.

All operating parameters, including typical parameters, must be validated for each customer application by the customer's technical experts.

Please contact us if you have any questions about the contents of the datasheet.

This may not be the latest version of the datasheet. Please check with us if a later version is available.



Headquarters & Warehouse

Elektrostraat 17
 NL-7483 PG Haaksbergen
 The Netherlands

T: +31 (0)53 573 33 33
 E: info@texim-europe.com
 Homepage: www.texim-europe.com



The Netherlands

Elektrostraat 17
 NL-7483 PG Haaksbergen

T: +31 (0)53 573 33 33
 E: nl@texim-europe.com



Belgium

Zuiderlaan 14, box 10
 B-1731 Zellik

T: +32 (0)2 462 01 00
 E: belgium@texim-europe.com



UK & Ireland

St Mary's House, Church Lane
 Carlton Le Moorland
 Lincoln LN5 9HS

T: +44 (0)1522 789 555
 E: uk@texim-europe.com



Germany - North

Bahnhofstrasse 92
 D-25451 Quickborn

T: +49 (0)4106 627 07-0
 E: germany@texim-europe.com



Germany - South

Martin-Kollar-Strasse 9
 D-81829 München

T: +49 (0)89 436 086-0
 E: muenchen@texim-europe.com



Austria

Warwitzstrasse 9
 A-5020 Salzburg

T: +43 (0)662 216 026
 E: austria@texim-europe.com



Nordic

Søndre Jagtvej 12
 DK-2970 Hørsholm

T: +45 88 20 26 30
 E: nordic@texim-europe.com



Italy

Martin-Kollar-Strasse 9
 D-81829 München

T: +49 (0)89 436 086-0
 E: italy@texim-europe.com