

RFPC-TNC01-FN: TNC Right Angle Bulkhead Jack With O-ring, PCB Connector, Rated to IP67/68

Material and Plating:

- Insulator A: Teflon
- Insulator B: Teflon
- Insulator C: Teflon
- Body: Brass, Nickel Plated
- Pin: Brass, Gold Plated
- Center Pin: Phosphor Bronze, Gold Plated
- Gasket: Silicone, Color: Red
- O-Ring: Silicone, Color: Red
- Cap: Brass, Nickel Plated

Washer: Brass, Nickel Plated

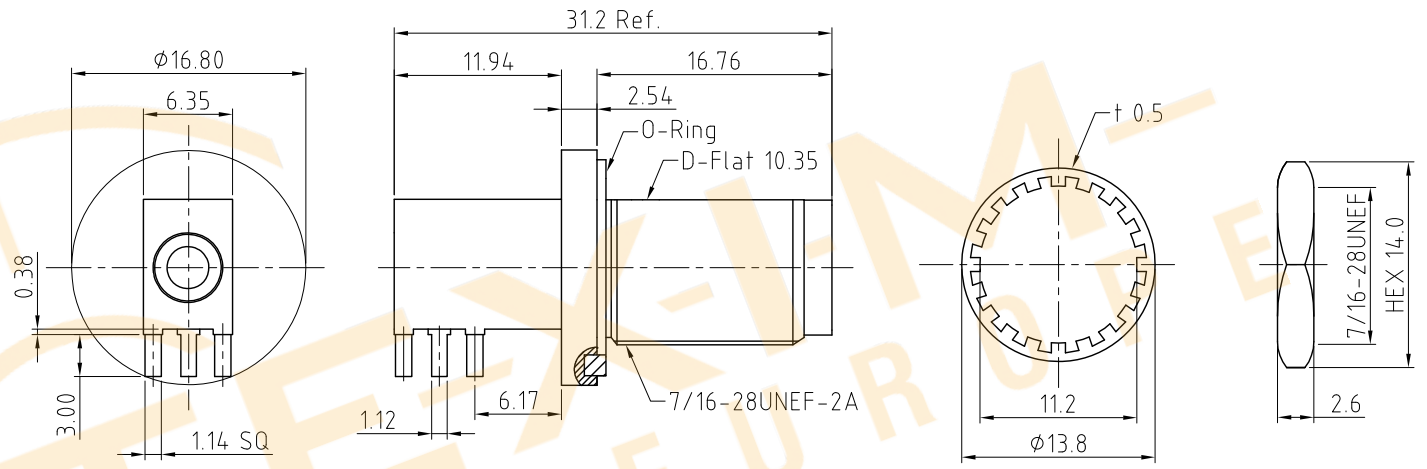
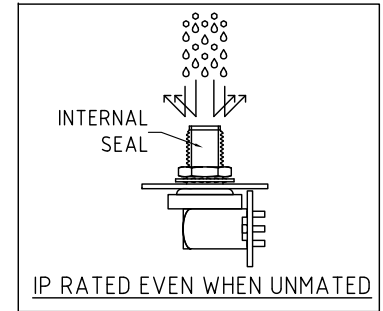
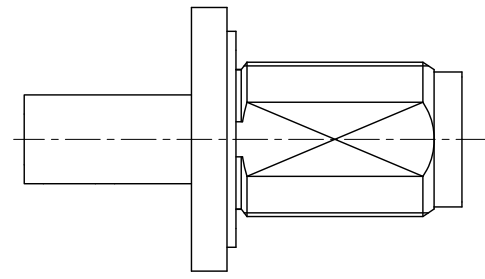
Nut: Brass, Nickel Plated

Environmental:

- A. Rated to:
 - i. IP6x - Dust tight - no particle ingress.
 - ii. IPx7 Waterproof for 30 minutes up to 1 meter underwater.
 - iii. IPx8 Waterproof for 48 hours at 1 meter underwater.

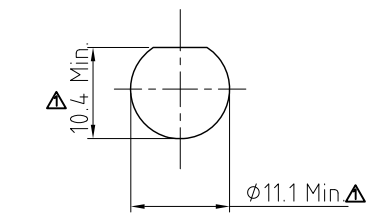
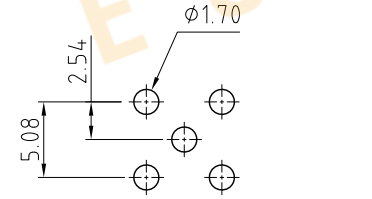
Notes:

- 1. Working Frequency Range: DC-4GHz.
- 2. Impedance: 50ohm.
- 3. Operating Temperature: -55°C~+155°C.



HOW TO ORDER
RFPC - TNC01 - FN - X

WASHER AND NUT OPTIONS:
BLANK = SEPARATELY PACKED (STANDARD)
A = ALL ASSEMBLED WITH CONNECTOR



Distributed by: **Texim Europe**

www.texim-europe.com

REV. DATE & DRN	10/25/03/72 - NYW RELEASE
11	11/04/73 - NYW WASHER & NUT PLATING
12	12/07/73 - NYW ADD ANODIZING HOLE SIZE.
13	08/06/73 - NYW AMEND CAP PLATING.
14	06/07/74 - NYW ADD GASKET TO MATERIAL.
15	07/07/74 - NYW ADD IP RATING.
16	07/07/74 - NYW ADD IP RATING VIEW.



Scale: NTS	THIRD ANGLE	Unstated Tolerances: .X ±0.20 .XX ±0.20 .XXX ±0.20 ANGLES ±3°
Drawn: CC		
App'd: XXX	Title TNC PCB Connector	
Date: 31 MAR. '24	Revision: 15	Unit: mm



Type: RFPC-TNC01-FN
RFPC-TNC01-FN
Drawing Number:
Sheet 1 of 1
Drawing © E and O E

Disclaimer

ALL PRODUCTS, PRODUCT SPECIFICATIONS AND DATA ARE SUBJECT TO CHANGE WITHOUT NOTICE TO IMPROVE RELIABILITY, FUNCTION OR DESIGN OR OTHERWISE.

Texim Europe B.V. its affiliates, agents, and employees, and all persons acting on its or their behalf (collectively, "Texim"), disclaim any and all liability for any errors, inaccuracies or incompleteness contained in any datasheet or in any other disclosure relating to any product.

Texim makes no warranty, representation or guarantee regarding the suitability of the products for any particular purpose or the continuing production of any product.

It is the customer's responsibility to validate that a particular product with the properties described in the product specification is suitable for use in a particular application.

Parameters provided in datasheets and / or specifications may vary in different applications and performance may vary over time.

All operating parameters, including typical parameters, must be validated for each customer application by the customer's technical experts.

Please contact us if you have any questions about the contents of the datasheet.

This may not be the latest version of the datasheet. Please check with us if a later version is available.



Headquarters & Warehouse

Elektrostraat 17
NL-7483 PG Haaksbergen
The Netherlands

T: +31 (0)53 573 33 33
E: info@texim-europe.com
Homepage: www.texim-europe.com



The Netherlands

Elektrostraat 17
NL-7483 PG Haaksbergen

T: +31 (0)53 573 33 33
E: nl@texim-europe.com



Belgium

Zuiderlaan 14, box 10
B-1731 Zellik

T: +32 (0)2 462 01 00
E: belgium@texim-europe.com



UK & Ireland

St Mary's House, Church Lane
Carlton Le Moorland
Lincoln LN5 9HS

T: +44 (0)1522 789 555
E: uk@texim-europe.com



Germany - North

Bahnhofstrasse 92
D-25451 Quickborn

T: +49 (0)4106 627 07-0
E: germany@texim-europe.com



Germany - South

Martin-Kollar-Strasse 9
D-81829 München

T: +49 (0)89 436 086-0
E: muenchen@texim-europe.com



Austria

Warwitzstrasse 9
A-5020 Salzburg

T: +43 (0)662 216 026
E: austria@texim-europe.com



Nordic

Søndre Jagtvej 12
DK-2970 Hørsholm

T: +45 88 20 26 30
E: nordic@texim-europe.com



Italy

Martin-Kollar-Strasse 9
D-81829 München

T: +49 (0)89 436 086-0
E: italy@texim-europe.com