

CABLE 305 RF: RF CABLE ASSEMBLY, SMA R/A PLUG + SMA STRAIGHT BULKHEAD JACK WITH O-RING RATED TO IP67/68 + MULTIPLE CABLE SIZES

SPECIFICATIONS :

1. SMA RIGHT ANGLE PLUG, P/N FOR RG178 CABLE: RFCT-SMA025-M78, P/N FOR ϕ 1.37MM CABLE: RFCT-SMA044-M37. P/N FOR ϕ 1.13MM LL CABLE: RFCT-SMA070-M13.
2. COAXIAL CABLE, SEE P/N FOR DETAIL.
3. SMA STRAIGHT BULKHEAD JACK WITH O-RING RATED TO IP67/68, P/N: RFCT-SMA002-F78.

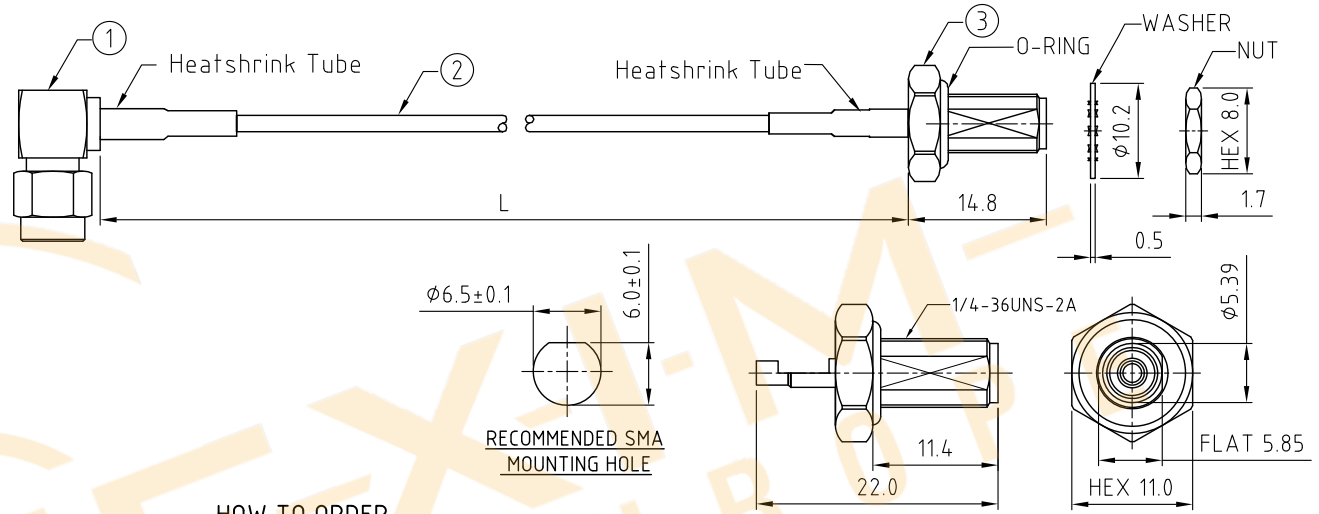
USAGE PRECAUTIONS: CABLES USING 'MICRO' COAX ARE DELICATE:
 (i) HANDLE WITH CARE.
 (ii) DO NOT TWIST; APPLY EXCESSIVE FORCES OR SHARP BENDS TO THE CABLE. DO NOT FORCEFULLY DEFORM WIRES.
 (iii) CONSULT CONNECTOR MANUFACTURER'S DATASHEETS FOR DETAILED NOTES ON HANDLING INSTRUCTIONS.

ENVIRONMENTAL:

- A. BULKHEAD MOUNTED CONNECTOR (RFCT-SMA002-F78) TESTED TO THE FOLLOWING SPECIFICATION:
- i. IP6X - DUST TIGHT - NO PARTICLE INGRESS.
 - ii. IPX7 WATERPROOF FOR 30 MINUTES UP TO 1 METER UNDERWATER.
 - iii. IPX8 WATERPROOF FOR 48 HOURS AT 1 METER UNDERWATER.
 - iv. IPX8 WATERPROOF FOR 12 HOURS AT 5 METERS UNDERWATER.
 - v. PRESSURE TEST - 1 BAR FOR 10 SECONDS.

NOTES:

1. THE ORIENTATION OF CONNECTORS ON DRAWING IS FOR REFERENCE ONLY, IF THE ORDER IS LEFT BLANK THE CONNECTOR WILL NOT HAVE FIXED ORIENTATION.
2. FIXED ORIENTATION IS SUGGESTED FOR CABLE LENGTH 50MM TO 100MM. PLEASE SPECIFY THE FIXED ORIENTATIONS FROM THE ORDER CODE (F1, F2, ETC)
3. CONTACT GRAD CONN IF THE ORIENTATION YOU REQUIRE IS NOT SHOWN.
4. WORKING FREQUENCY RANGE: DC-3GHZ.
5. OPERATING TEMPERATURE: -40°C ~ +125°C.
6. IMPEDANCE: 50 OHM.



HOW TO ORDER
 CABLE 305 RF - X X X X - X X - X - X

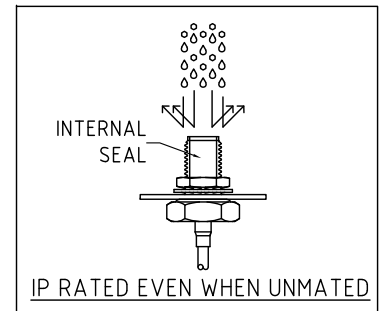
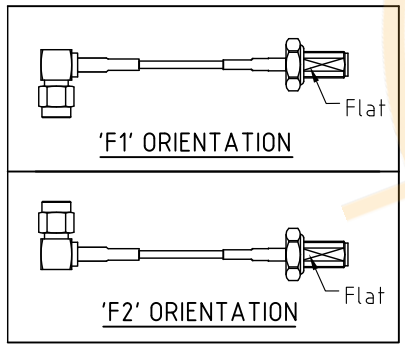
"L" LENGTH IN MM:
 eg: 100MM = 0100
 (MIN. 0050-MAX.2000)
 STANDARD = 0100, 0150, 0200)
 Tolerance: <50mm: ±2mm.
 51-200mm: ±5mm.
 201-500mm: ±7mm.
 >501mm: ±10mm.

CABLE SIZE OPTIONS:
 1 = RG178 CABLE, COLOR: BROWN.
 2 = ϕ 1.37MM CABLE, COLOR: BLACK.
 3 = ϕ 1.13MM LOW LOSS CABLE, COLOR: GRAY.

WASHER AND NUT OPTIONS:
 BLANK = SEPARATELY PACKED (STANDARD)
 A = ALL ASSEMBLED WITH CONNECTOR

ORIENTATION OPTIONS:
 BLANK = DOES NOT HAVE A FIXED ORIENTATION
 F1 = SMA PLUG CONNECTION DOWN (L=50-200MM)
 F2 = SMA PLUG CONNECTION UP (L=50-200MM)
 (SEE NOTES 1, 2, 3 AND DIAGRAMS FOR MORE INFORMATION)

SMA JACK DETAIL DRAWING



REV.	DATE & DRN
10	02/06/18 - NYW RELEASE
11	17/06/18 - NYW CABLE SIZE 3 OPTION
12	20/06/18 - NYW ADD NOTES 5, 6 & 7
13	15/01/20 - NYW ADD CABLE SIZE 3 OPTION
14	24/07/20 - NYW AMEND OPERATING TEMP.
15	10/03/24 - CC ADD IP RATING VIEW

Distributed by:

www.texim-europe.com

Scale:	NTS	THIRD ANGLE	Unstated Tolerances:
Drawn:	CC		.X N/A .XX N/A .XXX N/A ANGLES N/A
App'd:	XXX	Title	CABLE ASSEMBLY
Date:	17 MAR. '24	Revision:	1.5
		Unit:	mm

IP Rated RF Products

www.gradconn.com

Type:	Cable 305 RF
	CABLE 305 RF
Drawing Number:	
Sheet	1 of 1
Drawing	© E and O E

Disclaimer

ALL PRODUCTS, PRODUCT SPECIFICATIONS AND DATA ARE SUBJECT TO CHANGE WITHOUT NOTICE TO IMPROVE RELIABILITY, FUNCTION OR DESIGN OR OTHERWISE.

Texim Europe B.V. its affiliates, agents, and employees, and all persons acting on its or their behalf (collectively, "Texim"), disclaim any and all liability for any errors, inaccuracies or incompleteness contained in any datasheet or in any other disclosure relating to any product.

Texim makes no warranty, representation or guarantee regarding the suitability of the products for any particular purpose or the continuing production of any product.

It is the customer's responsibility to validate that a particular product with the properties described in the product specification is suitable for use in a particular application.

Parameters provided in datasheets and / or specifications may vary in different applications and performance may vary over time.

All operating parameters, including typical parameters, must be validated for each customer application by the customer's technical experts.

Please contact us if you have any questions about the contents of the datasheet.

This may not be the latest version of the datasheet. Please check with us if a later version is available.



Headquarters & Warehouse

Elektrostraat 17
 NL-7483 PG Haaksbergen
 The Netherlands

T: +31 (0)53 573 33 33
 E: info@texim-europe.com
 Homepage: www.texim-europe.com



The Netherlands

Elektrostraat 17
 NL-7483 PG Haaksbergen

T: +31 (0)53 573 33 33
 E: nl@texim-europe.com



Belgium

Zuiderlaan 14, box 10
 B-1731 Zellik

T: +32 (0)2 462 01 00
 E: belgium@texim-europe.com



UK & Ireland

St Mary's House, Church Lane
 Carlton Le Moorland
 Lincoln LN5 9HS

T: +44 (0)1522 789 555
 E: uk@texim-europe.com



Germany - North

Bahnhofstrasse 92
 D-25451 Quickborn

T: +49 (0)4106 627 07-0
 E: germany@texim-europe.com



Germany - South

Martin-Kollar-Strasse 9
 D-81829 München

T: +49 (0)89 436 086-0
 E: muenchen@texim-europe.com



Austria

Warwitzstrasse 9
 A-5020 Salzburg

T: +43 (0)662 216 026
 E: austria@texim-europe.com



Nordic

Søndre Jagtvej 12
 DK-2970 Hørsholm

T: +45 88 20 26 30
 E: nordic@texim-europe.com



Italy

Martin-Kollar-Strasse 9
 D-81829 München

T: +49 (0)89 436 086-0
 E: italy@texim-europe.com