

CABLE 184 RF: HIROSE U.FL + SMA STRAIGHT BULKHEAD JACK WITH O-RING RATED TO IP67/68 + MULTIPLE CABLE SIZES

SPECIFICATIONS :

- HIROSE U.FL PLUG, P/N: FOR  $\phi$ 1.37MM CABLE: U.FL-LP-088.  
FOR  $\phi$ 1.13MM CABLE: U.FL-LP-068.  
FOR  $\phi$ 1.32MM DS CABLE: U.FL-LP-066.  
FOR  $\phi$ 0.81MM CABLE: U.FL-LP(V)-040.
- COAXIAL CABLE, SEE P/N OPTIONS.
- SMA STRAIGHT BULKHEAD JACK WITH O-RING RATED TO IP67/68, P/N: RFCT-SMA002-F78.

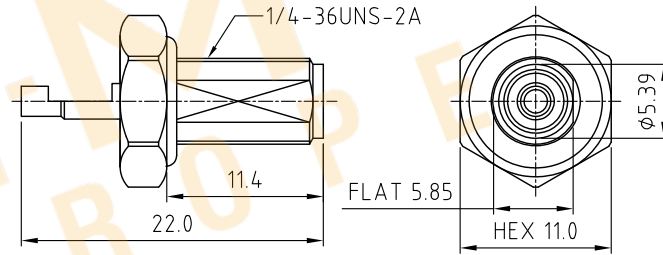
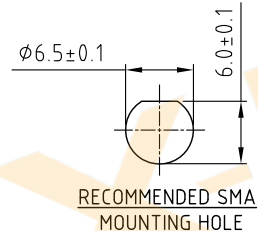
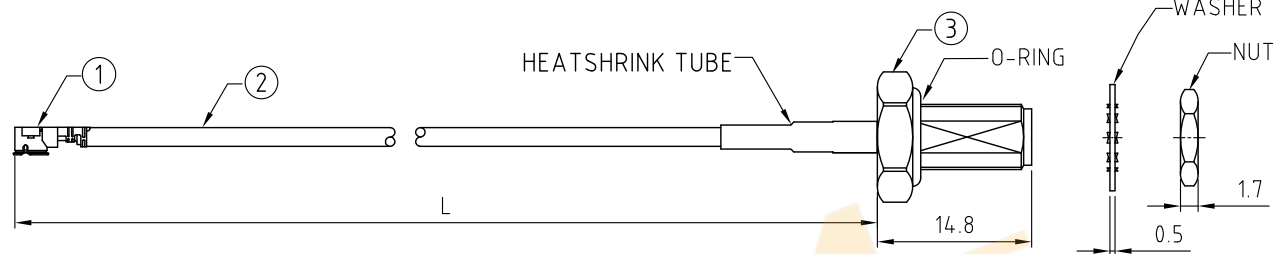
**USAGE PRECAUTIONS: CABLES USING 'MICRO' COAX ARE DELICATE:**  
 (i) HANDLE WITH CARE.  
 (ii) DO NOT TWIST; APPLY EXCESSIVE FORCES OR SHARP BENDS TO THE CABLE. DO NOT FORCEFULLY DEFORM WIRES.  
 (iii) CONSULT CONNECTOR MANUFACTURER'S DATASHEETS FOR DETAILED NOTES ON HANDLING INSTRUCTIONS.

ENVIRONMENTAL:

- A. BULKHEAD MOUNTED CONNECTOR (RFCT-SMA002-F78) TESTED TO THE FOLLOWING SPECIFICATION:
- IP6X - DUST TIGHT - NO PARTICLE INGRESS.
  - IPX7 WATERPROOF FOR 30 MINUTES UP TO 1 METER UNDERWATER.
  - IPX8 WATERPROOF FOR 48 HOURS AT 1 METER UNDERWATER.
  - IPX8 WATERPROOF FOR 12 HOURS AT 5 METERS UNDERWATER.
  - PRESSURE TEST - 1 BAR FOR 10 SECONDS.

NOTES:

- THE ORIENTATION OF CONNECTORS ON DRAWING IS FOR REFERENCE ONLY, IF THE ORDER IS LEFT BLANK THE CONNECTOR WILL NOT HAVE FIXED ORIENTATION.
- FIXED ORIENTATION IS SUGGESTED FOR CABLE LENGTH 25MM TO 100MM. PLEASE SPECIFY THE FIXED ORIENTATIONS FROM THE ORDER CODE (F1, F2, ETC)
- CONTACT GRADCONN IF THE ORIENTATION YOU REQUIRE IS NOT SHOWN.
- WORKING FREQUENCY RANGE: DC-3GHz.
- OPERATING TEMPERATURE: -40°C TO +85°C.
- IMPEDANCE: 50 OHM.



HOW TO ORDER

CABLE 184 RF - XXX - XX - X - X - X

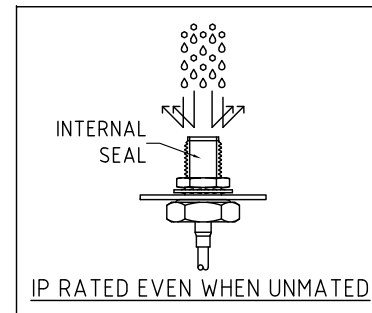
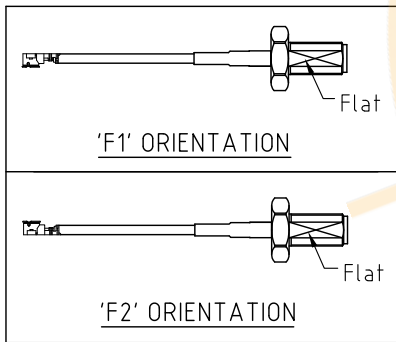
"L" LENGTH IN MM:  
 eg: 100MM = 100  
 (MIN. 050-MAX.400)  
 STANDARD = 100, 150, 200  
 Tolerance: 50-200mm: ±5mm.  
 201-400mm: ±7mm.

HEAT SHRINK TUBE COLOR OPTIONS:  
 BLANK = BLACK (STANDARD)  
 B = BLUE

CABLE SIZE OPTIONS:  
 1 =  $\phi$ 1.37MM CABLE, COLOR: BLACK.  
 2 =  $\phi$ 1.13MM CABLE, COLOR: GRAY.  
 3 =  $\phi$ 1.32MM DS CABLE, COLOR: GRAY  
 4 =  $\phi$ 0.81MM CABLE, COLOR: GRAY

WASHER AND NUT OPTIONS:  
 BLANK = SEPARATELY PACKED (STANDARD)  
 A = ALL ASSEMBLED WITH CONNECTOR

ORIENTATION OPTIONS:  
 BLANK = DOES NOT HAVE A FIXED ORIENTATION  
 F1 = U.FL CONNECTION DOWN (L=25-200MM)  
 F2 = U.FL CONNECTION UP (L=25-200MM)  
 (SEE NOTES 1, 2, 3 AND DIAGRAMS FOR MORE INFORMATION)



REV. DATE & DRN
10. 28/07/14 - NYW RELEASE
11. 23/07/15 - NYW
12. 23/07/15 - NYW
13. 16/06/16 - NYW
14. 26/06/17 - NYW
15. 28/04/20 - CC
16. 03/07/21 - NYW
17. 28/07/23 - NYW
18. 09/07/24 - CC

ADD. DATE & DRN
ADD. DATE & DRN
ADD. DATE & DRN
ADD. DATE & DRN
ADD. DATE & DRN
ADD. DATE & DRN
ADD. DATE & DRN
ADD. DATE & DRN
ADD. DATE & DRN
ADD. DATE & DRN
ADD. DATE & DRN

Distributed by:

www.texim-europe.com

Scale: NTS	THIRD ANGLE	Unstated Tolerances:
Drawn: CC		.X ±0.2
App'd: XXX	Title: CABLE ASSEMBLY	.XX ±0.2
Date: 3 MAR. '24	Revision: 1.8	.XXX ±0.2
	Unit: mm	ANGLES ±5

IP Rated RF Products

www.gradconn.com

Type: Cable 184 RF
CABLE 184 RF
Drawing Number:
Sheet 1 of 1
Drawing © E and O E

## **Disclaimer**

ALL PRODUCTS, PRODUCT SPECIFICATIONS AND DATA ARE SUBJECT TO CHANGE WITHOUT NOTICE TO IMPROVE RELIABILITY, FUNCTION OR DESIGN OR OTHERWISE.

Texim Europe B.V. its affiliates, agents, and employees, and all persons acting on its or their behalf (collectively, "Texim"), disclaim any and all liability for any errors, inaccuracies or incompleteness contained in any datasheet or in any other disclosure relating to any product.

Texim makes no warranty, representation or guarantee regarding the suitability of the products for any particular purpose or the continuing production of any product.

It is the customer's responsibility to validate that a particular product with the properties described in the product specification is suitable for use in a particular application.

Parameters provided in datasheets and / or specifications may vary in different applications and performance may vary over time.

All operating parameters, including typical parameters, must be validated for each customer application by the customer's technical experts.

Please contact us if you have any questions about the contents of the datasheet.

This may not be the latest version of the datasheet. Please check with us if a later version is available.



## Headquarters & Warehouse

Elektrostraat 17  
 NL-7483 PG Haaksbergen  
 The Netherlands

T: +31 (0)53 573 33 33  
 E: info@texim-europe.com  
 Homepage: www.texim-europe.com



## The Netherlands

Elektrostraat 17  
 NL-7483 PG Haaksbergen

T: +31 (0)53 573 33 33  
 E: nl@texim-europe.com



## Belgium

Zuiderlaan 14, box 10  
 B-1731 Zellik

T: +32 (0)2 462 01 00  
 E: belgium@texim-europe.com



## UK & Ireland

St Mary's House, Church Lane  
 Carlton Le Moorland  
 Lincoln LN5 9HS

T: +44 (0)1522 789 555  
 E: uk@texim-europe.com



## Germany - North

Bahnhofstrasse 92  
 D-25451 Quickborn

T: +49 (0)4106 627 07-0  
 E: germany@texim-europe.com



## Germany - South

Martin-Kollar-Strasse 9  
 D-81829 München

T: +49 (0)89 436 086-0  
 E: muenchen@texim-europe.com



## Austria

Warwitzstrasse 9  
 A-5020 Salzburg

T: +43 (0)662 216 026  
 E: austria@texim-europe.com



## Nordic

Søndre Jagtvej 12  
 DK-2970 Hørsholm

T: +45 88 20 26 30  
 E: nordic@texim-europe.com



## Italy

Martin-Kollar-Strasse 9  
 D-81829 München

T: +49 (0)89 436 086-0  
 E: italy@texim-europe.com