



IoT Combo SIP Module

ISM4343-WBU-L151- Data Sheet

- **2.4 GHz Wi-Fi**
- **5.3 BLE (Bluetooth Low Energy)**
- **ST Arm Cortex STM32U585**
- **4Mb Flash**
- **STM32CubeMX Support**
- **AIROC™ Wi-Fi/Bluetooth Expansion Pack Support**

Table of Contents

1	DETAIL DESCRIPTION	4
2	OVERVIEW	5
3	FEATURES	6
3.1	Limitations	7
3.2	Regulatory Compliance	7
4	COMPLEMENTARY DOCUMENTATION	10
4.1	EVB.....	10
5	BLOCK DIAGRAM.....	11
6	HOST INTERFACES	11
6.1	UART Interface	12
6.2	UART Pins.....	12
6.2.1	Data Mode.....	13
6.2.2	Flow Control	13
6.2.3	Supported Baud Rates.....	13
6.2.4	I2S Timer Interface Characteristics	14
6.3	ISM4343-WBU-L54 External Antenna Connections.....	15
6.4	ISM4343-WBU-L54/C Mechanical Specifications	15
6.5	FIRMWARE UPGRADES.....	15
6.6	ISM4343-WBU-L54/C Pinout Description	16
7	<i>ISM4343-WBU-L151 Pinout Description</i>	18
7.1	Module Pin Number Sequence Definition.....	18
8	ISM4343-WBU-L151 ELECTRICAL SPECIFICATIONS.....	23
8.1	Absolute Maximum Ratings	23
8.2	Environmental Ratings.....	23
8.3	ISM4343 Operating Conditions and DC Characteristics.....	24
8.4	Power Consumption.....	24
9	RF SPECIFICATIONS	25
9.1	BT RF Specifications	25
9.2	WLAN RF Specifications	26
9.3	ISM4343-WBU-L54 External Antenna.....	32
9.4	Environmental Specifications	33
10	Additional Information	34
10.1	Communications Interfaces	34
10.1.1	I2C Interface Characteristics.....	34
11	ISM4343-WBU-L151 Hardware Design Recommendations	36
11.1	Application Circuit – Single Antenna.....	36
11.2	ISM4343-WBU-L151 Application Circuit –Power Supply	37
12	ISM4343-WBU-L151 DC POWER CONDITIONING AND DISTRIBUTION	37
12.1	Power Conditioning	37
13	ISM4343-WBU-L151 PCB LAYOUT GUIDELINES	38
13.1	DC Power.....	38
13.2	Antenna port RF signal	38

14	ISM4343-WBU-L151 Mechanical Specification	39
14.1	ISM4343-WBU-L151 Recommended PCB Footprint	40
	(Bottom View)	40
14.2	ISM4343-WBU-L151 Recommended PCB Footprint (Top View).....	41
14.3	ISM4343-WBU-L151 Recommend Stencil: Unit: mm	46
17	On Board OTA Flash	47
15	Product Compliance Considerations.....	47
16	ISM4343-WBU-L151 Reflow Profile	48
17	ISM4343-WBU-L54 Reflow Profile	48
18	Packaging Information.....	50
18.1	MSL Level / Storage Condition.....	50
18.2	Device baking requirements prior to assembly.....	50
19	Revision Control	51
20	CONTACT INFORMATION.....	51

1 DETAIL DESCRIPTION

Device	Description	Ordering Number
ISM4343-WBU-L151	Wi-Fi + BT/BLE + Cortex M33 10 x 10 mm 151 Pad SIP	ISM4343-WBU-L151
ISM4343-WBU-L151-EVB	2.4 Wi-Fi + BT/BLE SIP EVB (Evaluation Board)	ISM4343-WBU-L151 - EVB

2 OVERVIEW

The Inventek ISM4343-WBU-L151 SiP (10x10mm) offers a single-band IEEE 802.11 b/g/n-compliant MAC/PHY, and BT/BLE 5.3 radio. Channel bandwidth of 20MHz is supported for IEEE 802.11 b/g/n traffic with integrated ST Micro STM585 Cortex M33 MCU that runs the TCP/IP stack.

The ISM4343-WBU-L151 SiP integrates the Infineon CYM4343W Wi-Fi/BT combo-radio, STM32U585 series advanced power-saving microcontroller, based on Arm® Cortex®-M33, with 2 Mbytes of Flash (dual bank) memory and 786 Kbytes of SRAM, plus an additional 2 M bytes of SPI Flash (MX25L1633EWS), for a total flash of 4 Mbytes in a small form factor 10x10 mm LGA Module.

The ISM4343-WBU-L151 802.11 b/g/n enables wireless connectivity to the most straightforward existing sensor products with minimal engineering effort. The ISM4343-WBU-L151 reduces development time, lowers manufacturing costs, saves board space, simplifies certification compliance, and minimizes customer RF expertise required during development of target applications.

The ISM4343-WBU-L151 SiP uses Infineon's CYW4343W highly integrated single chip combo radio solution. The CYW4343 has integrated power amplifiers, LNAs and T/R switches for the 2.4 GHz WLAN band.

The ISM4343-WBU-L151 supports the BT Low Energy operating mode, which provides a dramatic reduction in the power consumption of the BT radio and baseband. The primary application for this mode is to provide support for low data rate devices, such as sensors and remote controls.

The ISM4343-WBU-L151 implements the highly sophisticated Enhanced Collaborative Coexistence algorithms and hardware mechanisms, allowing for an extremely collaborative BT coexistence scheme along with coexistence support for external radios such as cellular LTE, GPS, and Ultra-Wideband. An independent, high-speed UART is provided for the BT host interface.

3 FEATURES

The ISM4343-WBU-L151 SiP and module support the following WLAN, BT & MCU functions:

- Arm Cortex-M33 core running at 160 MHz
- 240 DMIPS and 651 CoreMark scores
- New ST ART Accelerator: working both on internal and external Flash (8 Kbytes of instruction cache)
- 4 Mbytes of flash (2 Mbytes on ST Microcontroller plus 2 Mbytes connected to SPI, MX25L1633EWS)
- Higher level of safety with 100 kcycles for 512 KB of flash
- ADC14-bit
 - ADC, I2C, I2S, GPIO, Timers
- Single-band 2.4 GHz b/g/n, 802.11b, 802.11g, 802.11n (single stream)
 - IEEE 802.11b 1 – 11 Mbps
 - IEEE 802.11g 6 – 54 Mbps
 - IEEE 802.11n (2.4 GHz) 7.2 – 150Mbps
- 32KHz RTC, 26MHz and 37.4 MHz clocks on board the SiP.
- Host serial interface for both UART and SPI
- On-chip WLAN driver execution supporting IEEE 802.11 functionality
- Advanced 1x1 802.11n features:
 - Full/Half Guard Interval
 - Frame Aggregation
 - Space Time Block Coding (STBC)
 - Low Density Parity Check (LDPC) Encoding
- Hardware Encryption WEP, WPA/WPA2
- Modulation Modes include:
 - Wi-Fi: CCK and OFDM with BPSK, QPSK, 16 QAM, 64QAM, 256QAM
 - BT: Dual-mode classic BT and Classic Low Energy operation
- Concurrent BT and WLAN operation
- Supports a single 2.4 GHz antenna shared between WLAN and BT
- BT host digital interface (can be used concurrently with above interface):
 - UART (up to 4 Mbps)
- BT v5.1 with integrated Class 1 PA
- BT 2.1+EDR, BT 3.0, BT 4.2, BT5.3 (BT Low Energy)
- ECI – enhanced coexistence support, ability to coordinate BT SCO transmissions around WLAN receives
- I²S/PCM for BT audio
- HCI high-speed UART (H4, H4 +, H5) transport support
- BT SmartAudio® technology improves voice and music quality to headsets

- BT low power inquiry and page scan
- BT Low Energy (BLE) support
- BT Packet Loss Concealment (PLC)
- BT Wide Band Speech (WBS)
- Operating Temperature: -40°C to 85°C

The BBC supports all BT 4.0 features, with the following benefits:

- Dual-mode classic BT and classic Low Energy (BT and BLE) operation.
- Low Energy Physical Layer
- Low Energy Link Layer
- Enhancements to HCI for Low Energy
- Low Energy Direct Test mode
- AES encryption

3.1 Limitations

Inventek Systems products are not authorized for use in safety-critical applications (such as life support) where a failure of the Inventek Systems product would reasonably be expected to cause severe personal injury or death.

3.2 Regulatory Compliance

CE



Regulator	Complete
FCC	O7P-4343
IC	10147A-4343
RoHS	Compliant

OEM INSTRUCTIONS:

This module is limited to OEM installation only.

OEM integrators must ensure that the end user has no manual instructions to remove or install the module. OEM's must comply with FCC marking regulation part 15 declaration of conformity (Section 2.925(e)).

This module is to be installed only in mobile or fixed applications (Please refer to FCC CFR 47 Part 2.1091(b) for a definition of mobile and fixed devices).

Separate approval is required for all other operating configurations, including portable configurations with respect to FCC CFR 47 Part 2.1093, and different antenna configurations.

The antennas used with this module must be installed to provide a separation distance of at least 20cm from all persons, and must not be co-located or transmit simultaneously with any other antenna or transmitter, except in accordance with FCC multi transmitter product procedures.

The ISM4343-WBU-L54 Module has been designed to operate with the following antennas and gains. Use with other antenna types or with these antenna types at higher gains is strictly prohibited.

Manufacturer	Type of Antenna	Model	Gain dB	Type of Connector
Inventek	U.FL port Antenna	W24P	2.15	Unique Connector
Inventek	Chip Antenna	W245-SC	1.4	Permanent integral

Inventek has obtained FCC, IC and CE modular transmitter certifications for the ISM4343-WBU-L151 and ISM4343-WB-L151 10mm x 10mm SiPs. These certifications can be used to the advantage of any manufacturer developing a product using these devices. **In order to take full advantage of the certifications, developers must follow the antenna design/layout guidelines exactly as shown in the INVENTEK SYSTEMS ISM4343-WBU-L151 and ISM4343-WB-L151 Layout Guidelines.**

For FCC compliance, products will still need to go through verification testing or have a declaration of conformance according to 47 CFR Chapter 1, part 15, subpart B.

FCC Notice –

This device complies with Part 15 of the FCC rules. Operation is subject to the following two conditions: (1) this device may not cause harmful interference, and (2) this device must accept any interference received, including interference that may cause undesired operation.

Note: This equipment has been tested and found to comply with the limits for a Class B digital device, pursuant to part 15 of the FCC Rules. These limits are designed to provide reasonable protection against harmful interference in a residential installation. This equipment generates uses and can radiate radio frequency energy and, if not installed and used in accordance with the instructions, may cause harmful interference to radio communications.

However, there is no guarantee that interference will not occur in a particular installation. If this equipment does cause harmful interference to radio or television reception, which can be determined by turning the equipment off and on, the user is encouraged to try to correct the interference by one or more of the following measures:

- Reorient or relocate the receiving antenna.*
- Increase the separation between the equipment and receiver.*
- Connect the equipment into an outlet on a circuit different from that to which the receiver is connected.*
- Consult the dealer or an experienced radio/TV technician for help.*

Warning: changes or modifications not expressly approved by the party responsible for compliance could void the user's authority to operate this equipment.

A clearly visible label is required on the outside of the user's (OEM) enclosure stat the following text:

Contains FCC ID: O7P-4343

Contains IC: 10147A-4343

This transmitter module has been certified for FCC Part 15 operation; when installed in a host device, the host manufacturer is responsible for making sure that the host device with the transmitter installed continues to be compliant with Part 15B unintentional radiator requirements Industry Canada User's Manual Statements:

IC RSS-210/RSS-Gen Notices-

Operation is subject to the following two conditions: (1) this device may not cause interference, and (2) this device must accept any interference, including interference that may cause undesired operation of this device.

L'opèration est soumise aux deux conditions suivantes: (1) cet appareil ne peut pas provoquer d'interférences et (2) cet apparial doit accepter toute interfèrence, y compris les interfèrences qui peuvent causer un mauvis fonctionnement de l'appareil.

Under Industry Canada regulations, this radio transmitter may only operate using an antenna of a type and maximum (or lesser) gain approved for the transmitter by Industry Canada. To reduce potential radio interference to other users, the antenna type and its gain should be so chosen that the equivalent isotropically radiated power (e.i.r.p.) is not more than that necessary for successful communication.

Sous la règlementation d'Industrie Canada, ce transmetteur radio ne peut fonctionner en utilisant une antenne d'un type et un maximum (ou moins) gain approuvées pour l'émetteur par Industrie Canada. Pour rèduire le risqué d'interference aux autres utilisateures, le type d'antenne et son gain doivent être choisis de manière que la puissance isotrpe rayonnée èquivalente (PIRE) ne dèpasse pas ce qui est nècessaire pour une communication rèussie.

The radio transmitter has been approved by Industry Canada to operate with the antenna types listed above with the maximum permissible gain and required antenna impedance for each antenna type indicated. Antenna types not included in this list having a gain greater than the maximum gain indicated for that type, are strictly prohibited for use with this device.

Cet émetteur de radio a été approuvé par Industrie Canada pour fonctionner avec les types d'antennes énumérées ci-dessus avec le gain maximal admissible et impédance d'antenne requise pour chaque type d'antenne indiquée. Types d'antennes ne figurant pas dans cette liste, ayant un gain supérieur au gain maximum indiquée pour ce type, sont strictement interdites pour l'utilisation avec cet appareil. Inventek is obtaining FCC, IC, and CE modular transmitter certifications for the ISM4343-WBU-L151 Module. These certifications can be used to the advantage of any manufacturer developing a product using these devices. In order to take full advantage of the certifications, developers must follow the antenna design/layout guidelines exactly as shown in the datasheet. For FCC compliance, products will still need to go through verification testing or have a declaration of conformance according to 47 CFR Chapter 1, part 15, subpart B.

The testing required for both verification and declaration of conformance is specified in sections 15.107 and 15.109. The official documents can be obtained from the U.S Government Printing Office online. U.S. Government Printing Office CFR 47. There are some changes allowed to the reference design which do not require any testing beyond the verification or declaration of conformance.

If it is desired to add a connector or U.FL connector in the RF path, or change the antenna to one of the same types (chip) with equal or less gain, they can do so without re-filing. Other changes such as a different antenna, or adding an antenna diversity switch will require filing for a class 2 permissive change. Any class 2 permissive changes must be performed under Inventek's grant, and therefore must be done in cooperation with Inventek. In addition to this document, Inventek recommends verifying the schematic board design with Inventek Engineering once the schematic is complete for further review and validation.

4 COMPLEMENTARY DOCUMENTATION

4.1 EVB

- Evaluation Board Specification
- EVB User's Guide
- Design Guidelines

5 BLOCK DIAGRAM

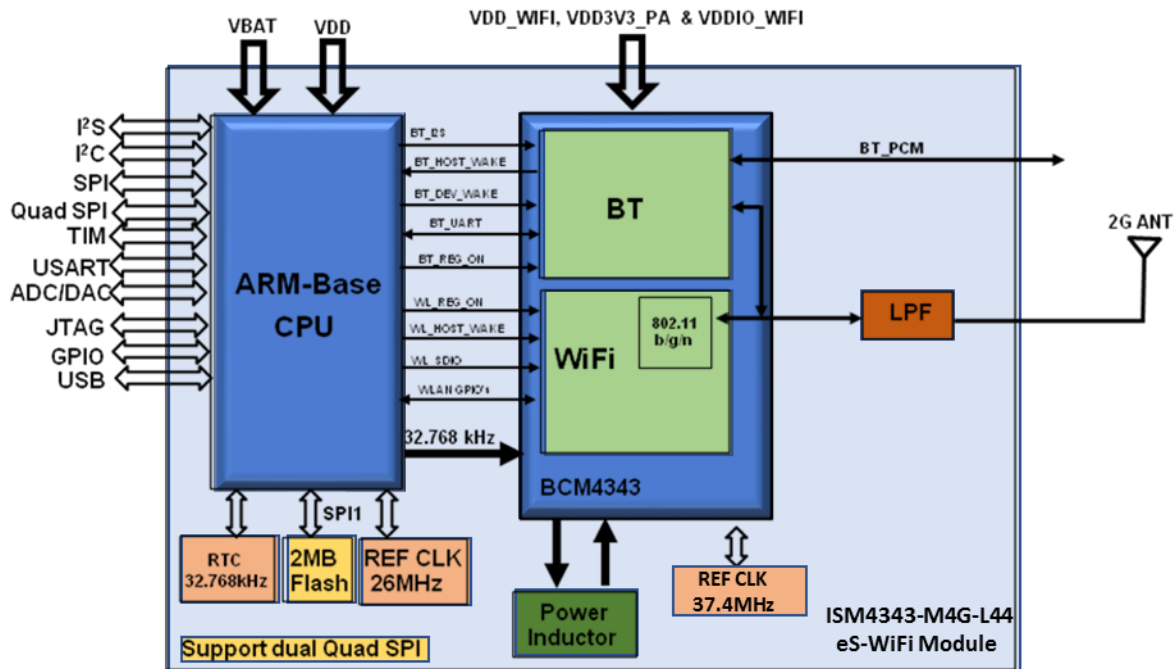


Figure 1 :
ISM4343-WBU-L151

- **Micro** STM32U585 Cortex M33 MCU with 2 Mbytes on ST Microcontroller
- **Flash** 2 Mbytes connected to SPI, MX25L1633EWS
- **Xtal** 32.768 KHz, 26 MHz and 37.4 MHz
- **ADC:** Analog to Digital Converter
- **I2C:** Intelligent Interface Controller
- **SPI:** Serial Peripheral Interface
- **Quad SPI:** Quad Serial Peripheral Interface
- **USART:** Universal Synchronous/Asynchronous Receiver Transmitters

6 HOST INTERFACES

The Inventek Serial to Wi-Fi modules are designed to be used in embedded IoT applications and to connect sensors directly to the module or SiP and develop a project on the module using the available microcontroller and memory resources using board support package for STM32Cube and Infineon AIROC Wi-Fi/Bluetooth Combo STM32 Expansion Pack. Development / Evaluation boards are available and projects are available on GitHub to start a Wi-Fi project.

Contact Inventek for the latest BSP. Create a BSP that duplicates the functionality of the file:///C:/Users/marti/Downloads/InfineonAIROC-Wi-Fi-Bluetooth-STM32ExpansionPack_UserGuide.pdf, .

6.1 UART Interface

The ISM4343-WBU-L151 shares a single UART for BT. The UART is a standard 4-wire interface (RX, TX, RTS and CTS) with adjustable baud rates from 9600 baud to 4.0 Megabaud. The interface features an automatic baud rate detection capability that returns a baud rate selection. Alternatively, the baud rate may be selected through a vendor-specific UART HCI command.

The UART has a 1040-byte receive FIFO and a 1040-byte transmit FIFO to support EDR. Access to the FIFO is conducted through the AHB interface through either DMA or the CPU. The UART supports the BT 4.0 UART HCI specification: H4, a custom Extended H4 and H5. The default baud rate is 115.2 KBaud.

The UART supports the 3-wire H5 UART transport, as described in the BT specification (“Three-wire UART Transport Layer”). Compared to H4, the H5 UART transport reduces the number of signal lines required by eliminating the CTS and RTS signals.

The ISM4343-WBU-L151 UARTs operate correctly with the host UART as long as the combined baud rate error of the two devices is within $\pm 2\%$.

Desired Rate	Actual Rate	Error (%)
921600	923077	0.16
460800	461538	0.16
230400	230796	0.17
115200	115385	0.16
57600	57692	0.16
38400	38400	0.00
28800	28846	0.16
19200	19200	0.00
14400	14423	0.16
9600	9600	0.00

Table 1: Example of Common Baud Rates

6.2 UART Pins

The eS-WiFi module and SiP support a 3.3v logic level, UART host interface when using the IWIN AT Command Firmware or WICED SDK.

UART Pins to connect when using the ISM4343-WBU-L151 SiP:

Pin	Description	STM32U585
31	USART1_RX	PA10
30	USART1_TX	PA9

UART Pins to connect when using the ISM4343-WBU-L54 Module:

Pin	Description	STM32U585
21	USART1_RX	PA10
22	USART1_TX	PA9

6.2.1 Data Mode

When the eS-WiFi module is interfaced serially, the serial interface needs to be configured for 8-bit data, no parity, and one stop bit - (8-n-1) using the IWIN AT Command firmware.

6.2.2 Flow Control

The eS-WiFi module and WICED do not require or support Flow Control, so Flow Control should not be implemented.

6.2.3 Supported Baud Rates

The eS-WiFi module supports the following serial baud rates.

The AT Command 'U2' is used to set the baud rate.

Basic Rates: 1200, 2400, 4800, 9600, 19200, 38400, 57600, 115200, 230400, 460800, 921600, 1152000, 1382400, 1612800, 1834200, 2073600, 2304000, 2764800, 3686400, 3916800

6.2.4 I2S Timer Interface Characteristics

Symbol	Parameter	Conditions	Min	Max	Unit
f_{MCK}	I2S Main clock output	-	256x8K	256xFs ⁽²⁾	MHz
f_{CK}	I2S clock frequency	Master data: 32 bits	-	64xFs	MHz
		Slave data: 32 bits	-	64xFs	
D_{CK}	I2S clock frequency duty cycle	Slave receiver	30	70	%
$t_{v(WS)}$	WS valid time	Master mode	0	7	ns
$t_{h(WS)}$	WS hold time	Master mode	1.5	-	
$t_{su(WS)}$	WS setup time	Slave mode	1.5	-	
$t_{h(WS)}$	WS hold time	Slave mode	3	-	
$t_{su(SD_MR)}$	Data input setup time	Master receiver	1	-	
$t_{su(SD_SR)}$		Slave receiver	2.5	-	
$t_{h(SD_MR)}$	Data input hold time	Master receiver	7	-	
$t_{h(SD_SR)}$		Slave receiver	2.5	-	
$t_{v(SD_ST)}$	Data output valid time	Slave transmitter (after enable edge)	-	20	
$t_{v(SD_MT)}$		Master transmitter (after enable edge)	-	6	
$t_{h(SD_ST)}$	Data output hold time	Slave transmitter (after enable edge)	8	-	
$t_{h(SD_MT)}$		Master transmitter (after enable edge)	2	-	

1. Guaranteed by characterization, not tested in production.
2. The maximum value of 256 x Fs is 50 MHz (APB1 maximum frequency).

Note: Refer to the I2S section of RM0383 reference manual for more details on the sampling frequency (Fs). f_{MCK} , f_{CK} , and D_{CK} values reflect only the digital peripheral behavior. The value of these parameters might be slightly impacted by the source clock accuracy. D_{CK} depends mainly on the value of ODD bit. The digital contribution leads to a minimum value of $(I2SDIV / (2 \times I2SDIV + ODD))$ and a maximum value of $(I2SDIV + ODD) / (2 \times I2SDIV + ODD)$. F_s maximum value is supported for each mode/condition.

6.3 ISM4343-WBU-L54 External Antenna Connections

ISM4343-WBU-L54 module is designed for use with an external antenna via a connection using the U.FL connector.

Item	Description
Connector	U.FL series
Manufacturer	I-PEX Co., Ltd.
Part No.	20279-001E-01
Height	1.25 mm
Width	2 mm
DC	3.0 – 5.0 V

On-Board Antenna Connector

6.4 ISM4343-WBU-L54/C Mechanical Specifications

The Physical dimensions of this **eS-WiFi** Module are as follow:

Items	Description
	ISM4343-WBU-L54-CU
Length	34.22 mm (-/+0.5 mm)
Width	14.70 mm (-/+0.5 mm)
Height	2.5 ± 0.2 mm
Package	54 pin LGA

6.5 FIRMWARE UPGRADES

A JTAG 10 pin header or directly connecting to the JTAG pins on the **eS-WiFi** module for updating is recommended. Use the ST-Link to flash the ST micro.

6.6 ISM4343-WBU-L54/C Pinout Description

Pin No.	Type	Pin Definition	Descriptions
1	G	GND	Ground
2	I	VDD	3.3V
3	G	GND	Ground
4	I/O	TMS	JTAG
5	I/O	TCK	JTAG
6	I/O	TDI	JTAG
7	I/O	TD0	JTAG
8	I/O	TDRSTN	JTAG
9	I/O	ADC 4 / SPI_MOSI	ADC Input Pins or SPI Interface. These SPI pins are also connected internally to the 2MB SPI Flash. Use SPI4 (pins 51, 52, 53, 54) for the AT Command SPI bus interface. (Refer to SPI Section Error! Reference source not found. for operation)
10	I/O	ADC 3 / SPI_MISO	
11	I/O	ADC 2 / SPI_SCK	
12	I/O	ADC 1 / SPI_SSN	
13	I/O	ADC 0 (I)/ DATARDY (0)	
14	I	VDD	3.3V
15	I	VBAT	3.3V
16	I	Wakeup	Host Wakeup
17	G	GND	Ground
18	I	DP	USB Data Plus
19	I/O	DM	USB Data Minus
20	G	GND	Ground
21	I/O	RX	UART Receive
22	I/O	TX	UART Transmit
23	I/O	GPIO 0	General Purpose Interface Pins
24	I/O	GPIO 1	
25	I/O	GPIO 2	
26	I/O	GPIO 3	
27	I/O	GPIO 4	
28	I	DNC	This pin is connected to Pin 47.
29	I	DNC	This pin is connected to Pin 49.
30	I/O	RES	GPIO, see section
31	I/O	RES	GPIO, see section

Pin No.	Type	Pin Definition	Descriptions
32	I/O	RES	GPIO, see section
33	I	BOOT 0	Enable On-Board Microcontroller Boot Loader (See STM32U585 BOOT0 specification)
34	I	RSTN	Reset (See STM32U585 NRST specification)
35	G	GND	Ground
36	G	GND	Ground
37	G	GND	Ground
38	G	GND	Ground
39	G	GND	Ground
40	G	GND	Ground
41	G	GND	Ground
42	G	GND	Ground
43	G	GND	Ground
44	G	GND	Ground

○ **Reserved Pins**

Pins currently available for designs using the WICED-SDK only.

Pin No.	Type	Pin Definition	Descriptions
30	I/O	GPIO15	Alternate Function: STM32U585, PB15
31	I/O	GPIO14	Alternate Function: STM32U585, PB14
32	I/O	GPIO13	Alternate Function: STM32U585, PB13

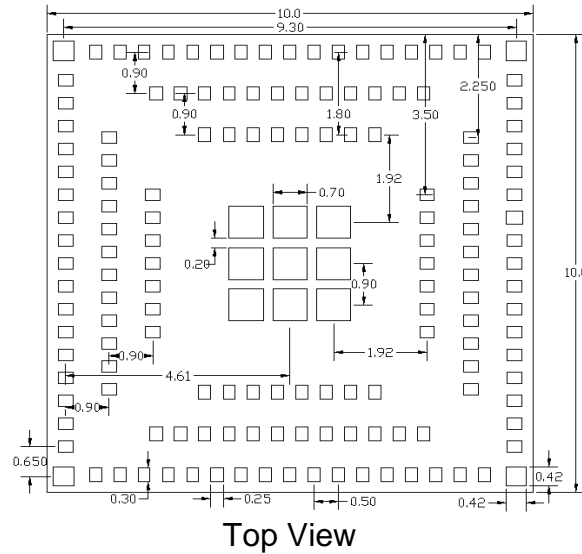
○ **+10 Pins Internal Pads**

Pins currently available for designs using the WICED-SDK and SPI4 with AT Commands.

Pin No.	Type	Pin Definition	Descriptions
45	I/O	GPIOA	Alternate Function: STM32U585, PA2
46	I/O	GPIOB	Alternate Function: STM32U585, PA1
47	I/O	GPIOC	Alternate Function: STM32U585, PB10
48	I/O	GPIOD	Alternate Function: STM32U585, PC3
49	I/O	GPIOE	Alternate Function: STM32U585, PB11
50	I/O	GPIOF	Alternate Function: STM32U585, PB12
51	I/O	GPIOG / SPI4_NSS	Alternate Function: STM32U585, PE11
52	I/O	GPIOH / SPI4_SCK	Alternate Function: STM32U585, PE12
53	I/O	GPIOJ / SPI4_MISO	Alternate Function: STM32U585, PE13
54	I/O	GPIOK / SPI4_MOSI	Alternate Function: STM32U585, PE14

7 ISM4343-WBU-L151 Pinout Description

7.1 Module Pin Number Sequence Definition



Pin Number	Pin Name	type	Description	Mapping for STM32U585 Packaged Datasheet
1	ANT	I/O	RF transmitter output and RF receiver input	
2	GND	-	Ground	
3	VDD_3V3_Wifi_PA	PI	Wi-Fi PA power supply	
4	VDD_3V3_Wifi_PA	PI	Wi-Fi PA power supply	
5	GND	-	Ground	
6	VDD_3V3_5	PI	DC supply for MCU and I/O	
7	GND	-	Ground	
8	MICRO_SPI1_MOSI	I/O	MCU_SPI_MOSI	PA7
9	QUADSPI_CLK	I/O	QUADSPI_CLK	PF10
10	GND	-	Ground	
11	MICRO_SPI4_NSS	I/O	MCU_SPI4_NSS	PG12
12	MICRO_SPI4_SCK	I/O	MCU_SPI4_SCK form MCU	PG9
13	MICRO_SPI4_MISO	I/O	MCU_SPI4_MISO	PG10
14	MICRO_SPI4_MOSI	I/O	MCU_SPI4_MOSI	PG11
15	GND	-	Ground	
16	NC	-	Floating	
17	NC	-	Floating	
18	GND	-	Ground	

19	NC	-	Floating	
20	BT_GPIO_3	I/O	WPT_INTb to wireless charging PMU	
21	MICRO_SPI2_MISO	I/O	MICRO_SPI2_MISO	PB14
22	MICRO_SPI2_MOSI	I/O	MICRO_SPI2_MOSI	PB15
23	GND	-	Ground	
24	VDD_3V3_3	PI	DC supply for MCU and I/O	
25	GND	-	Ground	
26	NC	-	Floating	
27	GND	-	Ground	
28	VDD3V3_WiFi_IO	PI	DC supply for WiFi and I/O	
29	GND	-	Ground	
30	MICRO_USART1_TX	I/O	MCU_USART1_TX	PA9
31	MICRO_USART1_RX	I/O	MCU_USART1_RX	PA10
32	MICRO_USART1_CTS	I/O	MCU_USART1_CTS	PA11
33	MICRO_USART1_RTS	I/O	MCU_USART1_RTS	PA12
34	GND	-	Ground	
35	MICRO_JTAG_TMS	I/O	MCU_JATG_TMS	PA13
36	GND	-	Ground	
37	MICRO_JTAG_TCK	I/O	MCU_JATG_TCK	PA14
38	MICRO_JTAG_TDI	I/O	MCU_JATG_TDI	PA15
39	GND	-	Ground	
40	NC	-	Floating	
41	GND	-	Ground	
42	VDD3V3_WiFi	PI	Wi-Fi power supply	
43	VDD3V3_WiFi	PI	Wi-Fi power supply	
44	GND	-	Ground	
45	MICRO_JTAG_TDO	I/O	MCU_JATG_TDO	PB3
46	MICRO_JTAG_TRSTN	I/O	MCU_JATG_RSTN	PB4
47	GND	-	Ground	
48	VDD_3V3_2	PI	DC supply for MCU and I/O	
49	GND	-	Ground	
50	QUADSPI_BK1_IO3	I/O	QUADSPI_BK1_IO3	PF6
51	GND	-	Ground	
52	NC	-	NC	
53	NC	-	NC	
54	GND	-	Ground	
55	BT_PCM_CLK	I/O	PCM clock; can be master	
56	NC	-	Floating	
57	BT_HOST_WAKE	O	BT_HOST_WAKE	PG15
58	GND	-	Ground	

59	VBAT	PI	Power supply for backup circuitry when VDD is not present	
60	GND	-	Ground	
61	GND	-	Ground	
62	NC	-	Floating	
63	NC	-	Floating	
64	GND	-	Ground	
65	VDD_3V3	PI	DC supply for MCU and I/O	
66	GND	-	Ground	
67	QUADSPI_BK1_IO1	I/O	QUADSPI_BK1_IO1	PF9
68	QUADSPI_BK1_IO2	I/O	QUADSPI_BK1_IO2	PF7
69	MICRO_I2S2_SD	I/O	MICRO_I2S2_SD	PC3
70	GND	-	Ground	
71	GND	-	Ground	
72	GND	-	Ground	
73	GND	-	Ground	
74	MICRO_SPI1_NSS	I/O	MCU_SPI_NSS	PA4
75	MICRO_SPI1_SCK	I/O	MCU_SPI_SCK form MCU	PA5
76	MICRO_SPI1_MISO	I/O	MCU_SPI_MISO	PA6
77	GND	-	Ground	
78	QUADSPI_BK2_IO3	I/O	QUADSPI_BK2_IO3	PC5
79	BOOT1/ QUADSPI_CLK	I/O	BOOT1/ QUADSPI_CLK	PB2
80	QUADSPI_BK2_IO0	I/O	QUADSPI_BK2_IO0	PE7
81	QUADSPI_BK2_IO1	I/O	QUADSPI_BK2_IO1	PE8
82	MICRO_I2C2_SCL	I/O	MICRO_I2C2_SCL	PB10
83	MICRO_I2C2_SDA	I/O	MICRO_I2C2_SDA	PB11
84	MCIRO_SPI2_NSS	I/O	MCIRO_SPI2_NSS	PB12
85	MCIRO_SPI2_SCK	I/O	MCIRO_SPI2_SCK	PB13
86	MICRO_GPIO_27	I/O	MCU_GPIO	PD8
87	MICRO_GPIO_25	I/O	MCU_GPIO	PD10
88	NC	-	Floating	
89	NC	-	Floating	
90	VDD_USB	PI	VDD for USB	
91	GND	-	Ground	
92	MICRO_I2S2_MCK/ MICRO_USART6_TX	I/O	MICRO_I2S2_MCK/ MICRO_USART6_TX	PC6
93	MICRO_I2S2_CK/ MICRO_USART6_RX	I/O	MICRO_I2S2_CK/ MICRO_USART6_RX	PC7
94	GND	-	Ground	
95	NC	-	Floating	
96	NC	-	Floating	
97	NC	-	Floating	
98	NC	-	Floating	

99	GND	-	Ground	
100	NC	-	Floating	
101	GND	-	Ground	
102	MICRO_I2C1_SCL	I/O	MICRO_I2C1_SCL	PB6
103	MICRO_I2C1_SDA	I/O	MICRO_I2C1_SDA	PB7
104	BOOT0	0	Normal operation if connected to ground at power up.	BOOT0
105	NC	-	Floating	
106	MICRO_GPIO_0	I/O	MCU_GPIO	PE3
107	QUADSPI_BK2_NCS	I/O	QUADSPI_BK2_NCS	PB5
108	MICRO_GPIO_30	I/O	MCU_GPIO	PE0
109	NC	-	Floating	
110	NC	-	Floating	
111	MICRO_I2S_DI	I/O	MICRO_I2S_DI	PE5
112	GND	-	Ground	
113	GND	-	Ground	
114	GND	-	Ground	
115	GND	-	Ground	
116	GND	-	Ground	
117	MICRO_RST_N	I/O	MCU_RST_N	NRST
118	QUADSPI_BK1_IO0	I/O	QUADSPI_BK1_IO0	PF8
119	MICRO_WKUP	I/O	MCU_WKUP	PA0
120	GND	-	Ground	
121	MICRO_ADC_IN2	I/O	MCU_ADC_IN_2	PA2
122	SPI 4 data Ready	I/O	MCU_ADC_IN_3	PA3
123	GND	-	Ground	
124	QUADSPI_BK2_IO2	I/O	QUADSPI_BK2_IO2	PC4
125	MICRO_GPIO_5	I/O	MCU_GPIO	PB0
126	RF_SW_CTRL	I/O	Antenna diversity control signal	
127	NC	-	Floating	
128	MICRO_GPIO_16	I/O	MCU_GPIO	PE15
129	BT_GPIO_4	I/O	BSC_SDA to/from wireless charging PMU.	
130	BT_GPIO_5	I/O	BSC_SCL from wireless charging PMU.	
131	NC	-	Floating	
132	GND	-	Ground	
133	QUADSPI_BK1_NCS	I/O	QUADSPI_BK1_NCS	PG6
134	GND	-	Ground	
135	GND	-	Ground	
136	NC	-	Floating	
137	MICRO_GPIO_26	I/O	MCU_GPIO	PD1
138	NC	-	Floating	

139	NC	-	Floating	
140	NC	-	Floating	
141	NC	-	Floating	
142	MICRO_GPIO_28	I/O	MCU_GPIO	PB8
143	MICRO_I2S2_WS	I/O	MICRO_I2S2_WS	PB9
144	BT_PCM_SYNC	I/O	PCM Sync; can be master(output) or slave (input)	
145	BT_PCM_OUT	O	PCM data output	
146	BT_PCM_IN	I	PCM data input sensing	
147	PC13	I/O		PC13
148	GND	-	Ground	
149	GND	-	Ground	
150	MICRO_ADC_IN1	I/O	MCU_ADC_IN_1	PA1
151	GND	-	Ground	

Internal connections to MX25L1633EWS Flash Memory:

<i>Name</i>	<i>U585</i>	<i>MX25L1633EWS</i>
<i>SPI_MISO</i>	<i>Pin 76/PA6</i>	<i>Pin 11 / SO_SIO1_2</i>
<i>SPI_MOSI</i>	<i>Pin 8/PA7</i>	<i>Pin 16 / SI_SIOo_1</i>
<i>SPI_NSS</i>	<i>Pin 74/PA4</i>	<i>Pin 12 / CS_2</i>
<i>SPI_Clk</i>	<i>Pin 75/PA5</i>	<i>Pin 6 / SCLK_2</i>

8 ISM4343-WBU-L151 ELECTRICAL SPECIFICATIONS

8.1 Absolute Maximum Ratings

⚠ Caution! The absolute maximum ratings indicate levels where permanent damage to the device can occur, even if these limits are exceeded for only a brief duration. Functional operation is not guaranteed under these conditions. Operation at absolute maximum conditions for extended periods can adversely affect long-term reliability of the device.

Rating	Symbol	Value	Unit
Power Supply	MAX	+4.0	V
Storage Temp	Celsius	-40 to +85	Degrees
Voltage Ripple	Ripple Voltage	+/- 2%	Max value not to exceed Operating Voltage
Power Supply Absolute Maximum Rating	VBAT	0 to 4	V
Power Supply Absolute Maximum Rating	VDD 3V3_1	0 to 4	V
Power Supply Absolute Maximum Rating	VDD 3V3_2	0 to 4	V
Power Supply Absolute Maximum Rating	VDD 3V3_3	0 to 4	V
Power Supply Absolute Maximum Rating	VDD 3V3_WiFi	0 to 6	V
Power Supply Absolute Maximum Rating	VDD 3V3_WiFi_PA	0 to 6	V
Power Supply Absolute Maximum Rating	VDDIO_WiFi	0 to 4	V

NOTE: Please place a 10-15uF Bulk CAP as close to the module as possible to VBAT.

Table 3: Absolute Maximum Ratings

8.2 Environmental Ratings

Characteristic	Value	Units	Conditions/Comments
Ambient Temperature (Ta)	-40 to +85	°C	* Functional operation
Storage Temperature	-40 to +125	°C	-
Relative Humidity (Non Condensing, relative humidity)	Less than 60	%	Storage
	Less than 85	%	Operation

Table 4: Environmental Ratings

8.3 ISM4343 Operating Conditions and DC Characteristics

⚠ Caution! Functional operation is not guaranteed outside of the limits shown in Table 5 and operation outside these limits for extended periods can adversely affect long-term reliability of this devices.

ISM4343-WBU-L151	Symbol	Min	Typical	Max	Unit
MCU VBAT Voltage	VBAT	2.0	3.3	3.6	V
GPIO I/O Supply	VDD3V3_1	2.4	3.3	3.6	V
GPIO I/O Supply	VDD3V3_2	2.4	3.3	3.6	V
GPIO I/O Supply	VDD3V3_3	2.4	3.3	3.6	V
Wi-Fi Voltage	VDD_3V3_WIFI	3.0	3.3	3.6	V
Wi-Fi PA Voltage	VDD_3V3_WIFI_PA	3.0	3.3	3.6	V
MCU With Wi-Fi	VDDIO_WIFI	3.0	3.3	3.6	V
*ISM4343-WBU-L54	Symbol	Min	Typical	Max	Unit
VBAT Voltage	VBAT	3.0	3.3	3.6	V
VDD	VDD	3.0	3.3	3.6	V

*Note: If a separate VBAT supply is not being used, then ties VBAT and VDD together.

Table 5: Recommended Operating Conditions and DC Characteristics

8.4 Power Consumption

Mode	Description	Typical	Max	Unit
Radio Off	ST Powered	27	-	mA
Radio On	Not Connected to Network	34	-	mA
Radio On	Connected to Network	88	340 ^[1]	mA
Power Save Mode	Connected to Network	38	-	mA
Radio On	Smart bridge	90	340 ^[1]	mA
Absolute Max	Worst Case	-	560 ^[2]	mA

Note:

^[1] Wi-Fi On, and connected to a network: Max 120 mA (340 mA burst of less than 5 ms)

^[2] Worst case power consumption represents active Wi-Fi

9 RF SPECIFICATIONS

9.1 BT RF Specifications

Parameter	Conditions	Min	Typical	Max	Unit
Note: The specifications in this table are measured at the Chip port output unless otherwise specified:					
General					
Frequency Range	-	2402	-	2480	MHz
RX sensitivity	GFSK, 0.1% BER, 1 Mbps	-	-93.5	-	dBm
	$\pi/4$ -DQPSK, 0.01% BER, 2 Mbps	-	-95.5	-	dBm
	8-DPSK, 0.01% BER, 3 Mbps	-	-89.5	-	dBm
Input IP3	-	-16	-	-	dBm
Maximum input at antenna	-	-	-	-20	dBm

Table 6: BT Receiver RF Specifications

Parameter	Conditions	Min	Typical	Max	Unit
General					
Frequency Range		2402	-	2480	MHz
Basic rate (GFSK) Tx power at BT	-	4.0	8.0	-	dBm
QPSK Tx Power at BT		7.0	9.0	-	dBm
8PSK Tx Power at BT		7.0	9.0	-	dBm
Power control step		2	4	6	dB

Table 7: BT Transmitter RF Specifications

Parameter: BT	Condition	Min	Typical	Max	Unit
Condition: 25 Deg. C, includes Wi-Fi and BT					
Tx Mode	3DH5		35		mA
Rx Mode	3DH5		16		mA

Table 8: BT Current Consumption (M33 MCU not calculated)

Parameter: BT Low Energy	Condition	Min	Typical	Max	Unit
Condition: 25 Deg. C, includes both Wi-Fi and BT					

Tx Mode	Transmitter and baseband are both operating, 100%		35		mA
Rx Mode	Receiver and baseband are both operating, 100%		16		mA

Table 9: BLE Current Consumption (M33 MCU not calculated)

9.2 WLAN RF Specifications

The ISM4343-WBU-L151 includes an integrated single-band direct conversion radio that supports the 2.4 GHz band.

2.4 GHz Band General RF Specifications

Features	Description
WLAN Standards	IEEE 802 Part 11b/g/n (802.11b/g/n single stream n)
Antenna Port	Support Single Antenna for WiFi
Frequency Band	2.400 – 2.484 GHz (2.4 GHz ISM Band)
Number of selectable Sub channels	14 channels
Modulation	OFDM, DSSS (Direct Sequence Spread Spectrum), DBPSK, DQPSK, CCK , 16QAM, 64QAM, 256QAM
Supported rates	1,2, 5.5,11,6,9,12,24,36,48,54 Mbps & HT20 MCS 0~7
Maximum receive input level	- 10dBm (with PER < 8%@11 Mbps) - 20dBm (with PER < 10%@54 Mbps) - 20dBm (with PER < 10%@MCS7)
Output Power	17dBm @ 802.11b 13dBm @ 802.11g 12dBm @ 802.11n 10dBm @ 802.11n (256QAM)
Carrier Frequency Accuracy	+/- 20ppm (crystal: 26MHz +/-10ppm in 250C)

Item	Conditions	Min	Typical	Max	Unit
Tx/Rx switch time	Including TX ramp down	-	-	5	μs
Rx/Tx switch time	Including TX ramp up	-	-	2	μs
Powerp and power-down ramp time	DSSS/CCK Modulations	-	-	<2	μs

Table 10: 2.4 GHz Band General RF Specifications (default voltage is 3.3V)
WLAN 2.4 GHz Receiver Performance Specification

Parameter	Condition/Notes	Min	Typical	Max	Unit
Frequency Range	-	2400	-	2500	MHz
RX sensitivity (8% PER for 1024 octet PSDU) ^a	1 Mbps DSSS	-	-97.9	-	dBm
	2 Mbps DSSS	-	-96.9	-	dBm
	5.5 Mbps DSSS	-	-92.5	-	dBm
	11 Mbps DSSS	-	-90.7	-	dBm
RX sensitivity (10% PER for 1024 octet PSDU) ^a	6 Mbps OFDM	-	-92.7	-	dBm
	9 Mbps OFDM	-	-91.4	-	dBm
	12 Mbps OFDM	-	-89	-	dBm
	18 Mbps OFDM	-	-87.4	-	dBm
	24 Mbps OFDM	-	-84.4	-	dBm
	36 Mbps OFDM	-	-81.7	-	dBm
	48 Mbps OFDM	-	-78.3	-	dBm
RX sensitivity (10% PER for 4096 octet PSDU) ^{a, b} Defined for default parameters: GF, 800 ns GI, and non-STBC.	20 MHz channel spacing for all MCS rates (GF)				
	MCS0	-	-92.6	-	dBm
	MCS 1	-	-89.6	-	dBm
	MCS 2	-	-87.3	-	dBm
	MCS 3	-	-84.7	-	dBm
	MCS 4	-	-82	-	dBm
	MCS 5	-	-78.4	-	dBm
	MCS 6	-	-76.9	-	dBm
	MCS 7	-	-75	-	dBm
RX sensitivity (10% PER for 4096 octet PSDU) ^{a, b} Defined for default parameters: GF, 800 ns GI, and non-STBC.	40 MHz channel spacing for all MCS rates (GF)				
	MCS0	-	-91	-	dBm
	MCS 1	-	-87.5	-	dBm
	MCS 2	-	-85.5	-	dBm
	MCS 3	-	-83	-	dBm
	MCS 4	-	-80	-	dBm
	MCS 5	-	-75	-	dBm
	MCS 6	-	-73.5	-	dBm
	MCS 7	-	-72	-	dBm
20 MHz channel spacing for all MCS rates (Mixed mode)					

RX sensitivity (10% PER for 4096 octet PSDU) ^{a,c} Defined for default parameters: Mixed mode- 800n ns GI, and non-STBC.	MCS0	-	-91	-	dBm
	MCS 1	-	-87.9	-	dBm
	MCS 2	-	-85.5	-	dBm
	MCS 3	-	-82.8	-	dBm
	MCS 4	-	-79.9	-	dBm
	MCS 5	-	-76.2	-	dBm
	MCS 6	-	-74.6	-	dBm
	MCS 7	-	-72.6	-	dBm
RX sensitivity (10% PER for 4096 octet PSDU) ^{a,b} Defined for default parameters: GF, 800 ns GI, and non-STBC.	40 MHz channel spacing for all MCS rates (Mixed mode)				
	MCS0	-	-89.0	-	dBm
	MCS 1	-	-85.4	-	dBm
	MCS 2	-	-83.2	-	dBm
	MCS 3	-	-80.6	-	dBm
	MCS 4	-	-77.4	-	dBm
	MCS 5	-	-72.3	-	dBm
	MCS 6	-	-70.6	-	dBm
	MCS 7	-	-69.0	-	dBm

Table 11: WLAN 2.4 GHz Receiver Performance Specifications

802.11 b Receiver					
Item	Condition	Min.	Typ.	Max.	Unit
Receiver minimum input level sensitivity (PER < 8 %)	1Mbps	-80*	-93		dBm
	2Mbps	-80*	-91		dBm
	5.5Mbps	-76*	-89		dBm
	11Mbps	-76*	-86		dBm
Receiver maximum input level sensitivity (PER < 8 %)	1/2/5.5/11 Mbps	-10*			dBm

Table 12: WLAN 2.4 GHz 802.11b Receiver Performance Specifications

802.11g Receiver					
Item	Condition	Min.	Typ.	Max.	Unit
Receiver minimum input level sensitivity (PER<10 %)	6Mbps	-82*	-88		dBm
	9Mbps	-81*	-87		dBm
	12Mbps	-79*	-85		dBm
	18Mbps	-77*	-83		dBm
	24Mbps	-74*	-80.5		dBm
	36Mbps	-70*	-78.5		dBm
	48Mbps	-66*	-74		dBm
	54Mbps	-65*	-72		dBm
Receiver maximum input level (PER<10%)	6/9/12/18/24/36/48/54	-20*			dBm

Table 13: WLAN 2.4 GHz 802.11g Receiver Performance Specifications

802.11n Receiver					
Item	Condition	Min.	Typ.	Max.	Unit
Receiver minimum input level sensitivity (PER<10 %)	HT20, MCS0	-82*	-87.5		dBm
	HT20, MCS1	-79*	-84		dBm
	HT20, MCS2	-77*	-82		dBm
	HT20, MCS3	-74*	-80.5		dBm
	HT20, MCS4	-70*	-77		dBm
	HT20, MCS5	-66*	-72		dBm
	HT20, MCS6	-65*	-71		dBm
	HT20, MCS7	-64*	-70		dBm
	256-QAM R=3/4		-68		dBm
	256-QAM R=5/6		-66		dBm
Receiver maximum input level (PER<10%)	MSC0~MSC7	-20*			dBm

Table 14: WLAN 2.4 GHz 802.11n Receiver Performance Specifications
WLAN 2.4 GHz Transmitter Performance Specification

802.11b Transmit

Item	Condition	Min.	Typ.	Max.	Unit
Transmit output power level	1M/2M/5.5M/11M		17		dBm
Transmit center frequency tolerance		-20	0	20	ppm
Transmit spectrum mask	$F_c - 22\text{MHz} < F < F_c - 11\text{MHz}$ & $F_c + 11\text{MHz} < F < F_c + 22\text{MHz}$ (1/2/5.5/11Mbps; channel 1~13)			-30*	dBr
	$F < F_c - 22\text{MHz}$ & $F > F_c + 22\text{MHz}$ (1/2/5.5/11Mbps; channel 1~13)			-50*	dBr
Transmit power -on	10% ~ 90 %		0.3	2*	us
Transmit power -down	90% ~ 10 %		1.5	2*	us
Transmit modulation accuracy	1/2/5.5/11 Mbps		-17	-10	dB

Table 15: WLAN 2.4 GHz 802.11b Transmit Performance Specifications

802.11g Transmit					
Item	Condition	Min.	Typ.	Max.	Unit
Transmit output power level	6M/9M/12M/18M/24M/36M/48M/54M		13		dBm
					dBm
					dBm
Transmit center frequency tolerance		-20	0	20	ppm
Transmit modulation accuracy	6Mbps			-5*	dB
	9Mbps			-8*	dB
	12Mbps			-10*	dB
	18Mbps			-13*	dB
	24Mbps			-16*	dB
	36Mbps			-19*	dB
	48Mbps			-22*	dB
	54Mbps			-25*	dB
Transmit spectrum mask	@ 11MHz			-20*	dBr
	@ 20MHz			-28*	dBr
	@ 30MHz			-40*	dBr

Table 16: WLAN 2.4 GHz 802.11g Transmit Performance Specifications

802.11n Transmit					
Item	Condition	Min.	Typ.	Max.	Unit
Transmit output power level	HT20 MCS 0~7		12		dBm
	HT20 MCS 7 (Turboqam)		10		dBm
Transmit center frequency tolerance		-20	0	20	ppm
Transmit modulation accuracy	HT20, MCS0~7			-27*	dB
	HT20 MCS 7 (Turboqam)			-32*	dB
Transmit Spectrum mask	@ 11MHz			-20*	dBr
	@ 20MHz			-28*	dBr
	@ 30MHz			-40*	dBr

Table 17: WLAN 2.4 GHz 802.11m Transmit Performance Specifications
BT Transmitter Performance Specification

Parameter	Mode and Condition	Min.	Typ.	Max.	Unit
Transmitter Section					
Frequency Range		2402		2480	MHz
Output power	GFSK		10		dBm
	QPSK		6		dBm
	BPSK		6		dBm
Power control step		2	4	8	dB
Lo performance					
Initial carrier frequency tolerance			±25	±75	kHz
Lock Time			72		µs
Frequency Drift					
DH1 packet			± 8	± 25	kHz
DH3 packet			± 8	± 40	kHz
DH5 packet			± 8	± 40	kHz
Drift rate			5	20	kHz/50µs
Frequency Deviation					

00001111 sequence in payload ^a		140	155	175	kHz
10101010 sequence in payload ^b		115	140		kHz
Channel spacing			1		MHz

- This pattern represents an average deviation in payload.
- Pattern represents the maximum deviation in payload for 99.9% of all frequency deviations.

Table 18: BT Transmit Performance Specifications

Parameter	Mode and Condition	Min.	Typ.	Max.	Unit
Receiver Section					
Frequency Range		2402		2480	MHz
Output power	GFSK, 0.1% BER, 1Mbps		-91		dBm
	$\pi/4$ -DQPSK, 0.01% BER, 2Mbps		-93		dBm
	8-DPSK, 0.01% BER, 3Mbps		-87		dBm
Input IP3		-16			dBm
Maximum input				-20	dBm

Table 19: BT Receiver Performance Specifications

Parameter	Mode and Condition	Min.	Typ.	Max.	Unit
Frequency Range		2402		2480	MHz
RX Sense ^a	GFSK, 0.1% BER, 1Mbps		-94		dBm
TX Power			8		dBm
Mod char: delta f1 average		225	225	275	kHz
Mod char: delta f2 max ^b		99.9			%
Mod char: ratio		0.8	0.95		%

- The BT tester is set so that Dirty TX is on.
- At least 99.9% of all delta F2 max. Frequency values recorded over 10 packets must be greater than 185kHz.

Table 20: BLE RF Performance Specifications

9.3 ISM4343-WBU-L54 External Antenna

The Inventek U.FL PCB antenna is certified for FCC, IC and CE. The part number is W24P. It is a single band 2.4 GHz PCB antenna with a U.FL connector.

The Inventek W24P PCB antenna datasheet can be found on the Inventek Website.



9.4 Environmental Specifications

Item	Description
Operating temperature range	-40 deg. C to +85 deg. C
Storage temperature range	-40 deg. C to +125 deg. C
Humidity (Non-Condensing, relative humidity)	Less than 60% max for Storage Less than 85% max for Operation

Note 1: The ISM4343-WBU-L151 supports a functional operating range of -40°C to +85°C. However, the optimal RF performance specified in this data sheet is only guaranteed for temperatures from -10°C to +65°C

10 Additional Information

10.1 Communications Interfaces

10.1.1 I²C Interface Characteristics

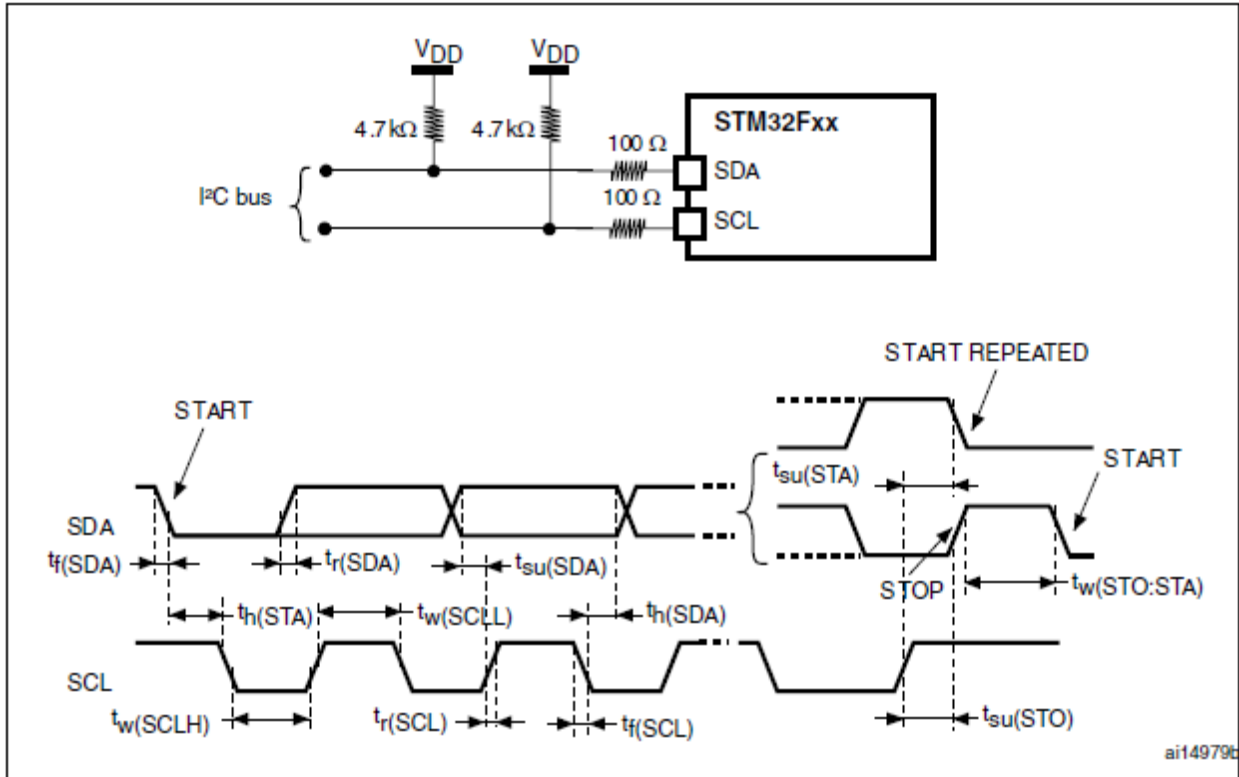
Symbol	Parameter	Standard mode I ² C ⁽¹⁾		Fast mode I ² C ⁽¹⁾⁽²⁾		Unit
		Min	Max	Min	Max	
t _{w(SCLL)}	SCL clock low time	4.7	-	1.3	-	μs
t _{w(SCLH)}	SCL clock high time	4.0	-	0.6	-	
t _{su(SDA)}	SDA setup time	250	-	100	-	ns
t _{h(SDA)}	SDA data hold time	0	3450 ⁽³⁾	0	900 ⁽⁴⁾	
t _{r(SDA)} t _{r(SCL)}	SDA and SCL rise time	-	1000	-	300	
t _{f(SDA)} t _{f(SCL)}	SDA and SCL fall time	-	300	-	300	
t _{h(STA)}	Start condition hold time	4.0	-	0.6	-	μs
t _{su(STA)}	Repeated Start condition setup time	4.7	-	0.6	-	
t _{su(STO)}	Stop condition setup time	4.0	-	0.6	-	μs
t _{w(STO:STA)}	Stop to Start condition time (bus free)	4.7	-	1.3	-	μs
t _{SP}	Pulse width of the spikes that are suppressed by the analog filter for standard fast mode	0	50 ⁽⁵⁾	0	50 ⁽⁵⁾	μs
C _b	Capacitive load for each bus line	-	400	-	400	pF

1. Guaranteed by design, not tested in production.

2. fPCLK1 must be at least 2 MHz to achieve standard mode I2C frequencies. It must be at least 4MHz to achieve fast mode I2C frequencies, and a multiple of 10 MHz to reach the 400 kHz maximum I2C fast mode clock.

3. The device must internally provide a hold time of at least 300ns for the SDA signal in order to bridge the undefined region of the falling edge of SCL.

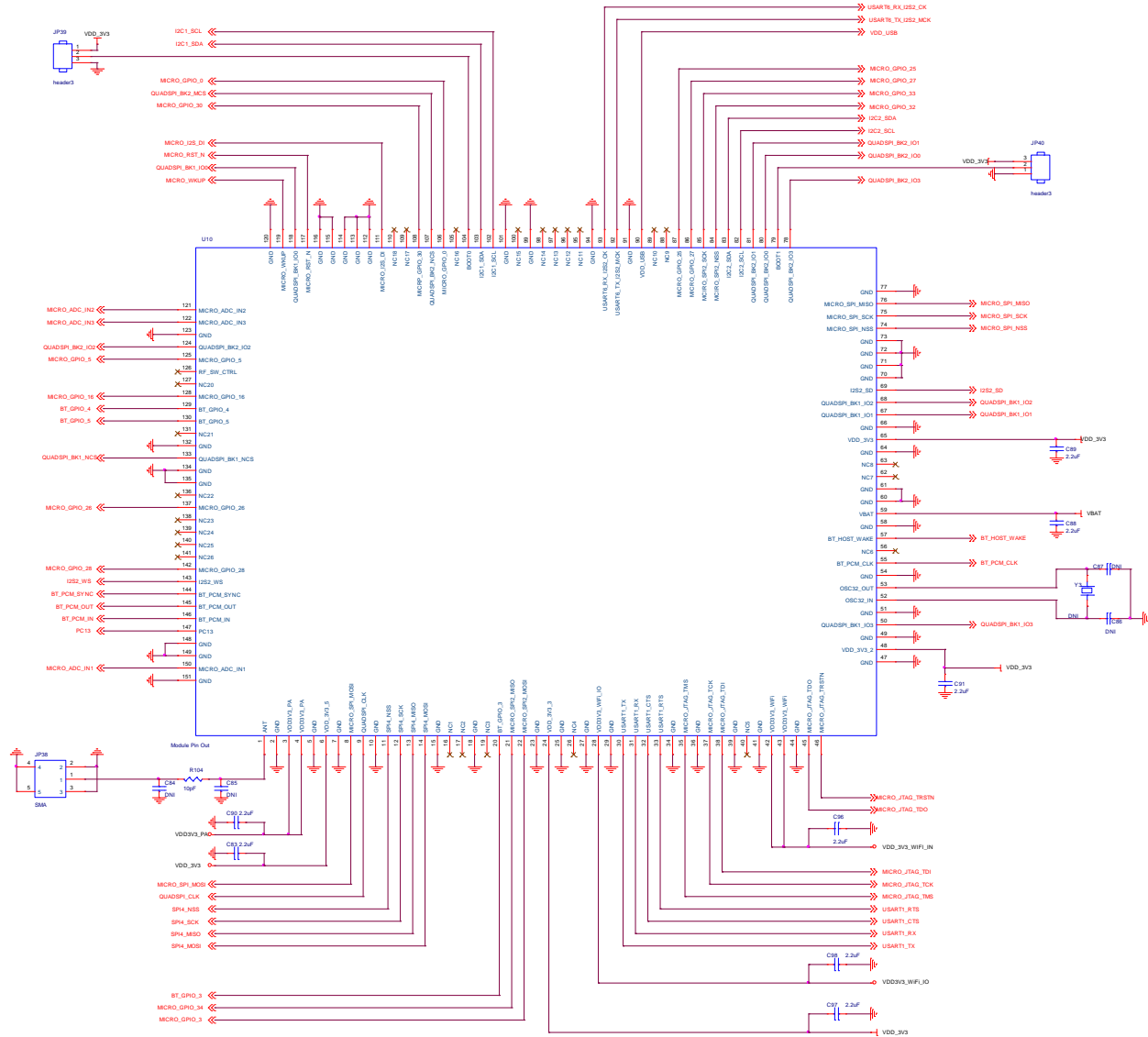
4. The maximum data hold time has only to be met if the interface does not stretch the low period of SCL signal.



1. Measurement points are done at CMOS levels: $0.3V_{DD}$ and $0.7V_{DD}$.

11 ISM4343-WBU-L151 Hardware Design Recommendations

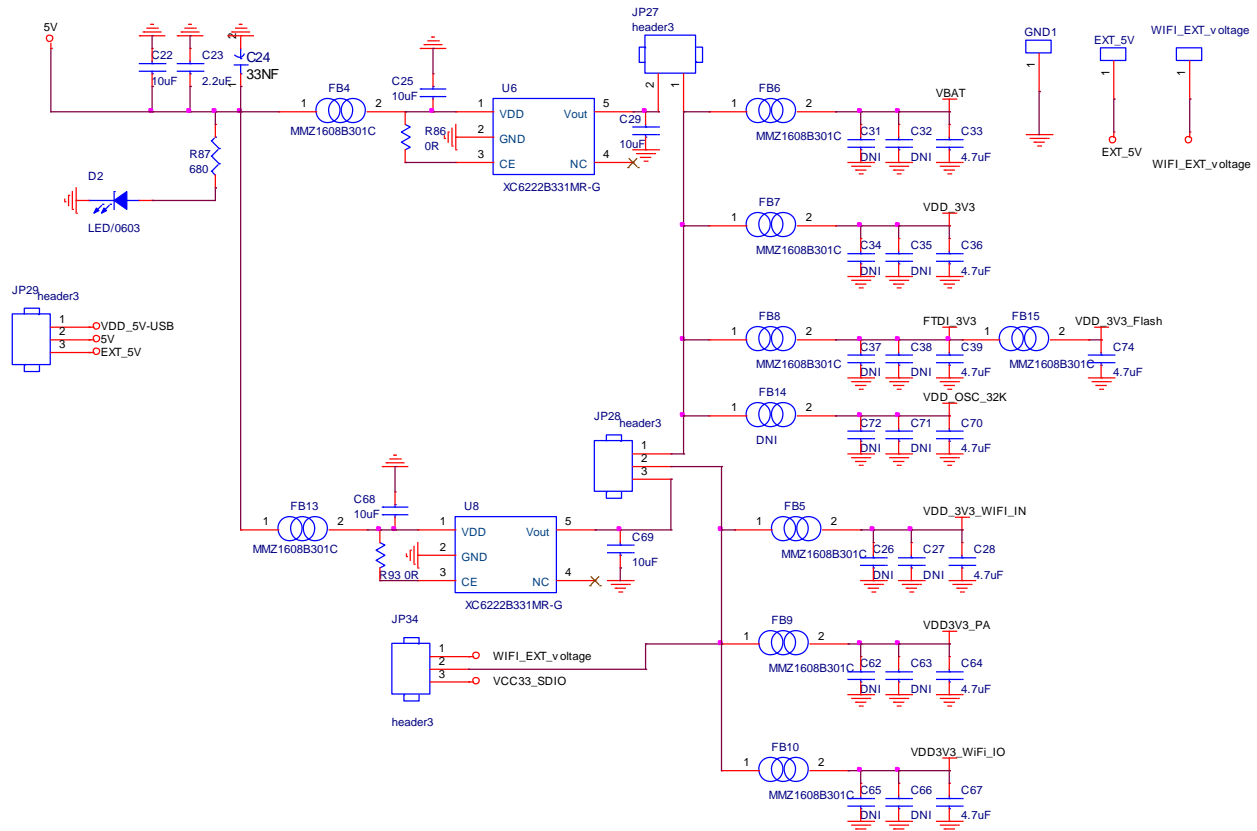
11.1 Application Circuit – Single Antenna



Reference Matching circuit:

1. RF trace impedance control: 50ohm.
2. See Inventek for reference schematic for the antenna
3. Do not Connect Xtal pins 52 and 53

11.2 ISM4343-WBU-L151 Application Circuit –Power Supply



12 ISM4343-WBU-L151 DC POWER CONDITIONING AND DISTRIBUTION

Appropriate DC voltages are conditioned using the external power IC. Detailed performance specifications for the combo module and external power ICs are available in their respective device specifications as below.

12.1 Power Conditioning

Symbol	Parameter	Min	Typ	Max	Unit
VBAT	MCU VBAT Voltage	2.0	3.3	3.6	V
VDD3V3_1	GPIO I/O Supply	2.4	3.3	3.6	V
VDD3V3_2	GPIO I/O Supply	2.4	3.3	3.6	V
VDD3V3_3	GPIO I/O Supply	2.4	3.3	3.6	V
VDD_3V3_WIFI	WiFi Voltage	3.0	3.3	3.6	V
VDD_3V3_WIFI_PA	WiFi PA Voltage	3.0	3.3	3.6	V
VDDIO_WIFI	MCU With WiFi	3.0	3.3	3.6	V

Each regulator output must be connected directly to its recommended output capacitor per the Power source. All the power supply pins should be decoupled.
Additional filtering and bypassing of the RF supply voltages

13 ISM4343-WBU-L151 PCB LAYOUT GUIDELINES

13.1 DC Power

Use wide traces for power supply lines. Know the maximum currents being carried on each power supply trace, and make the trace widths proportionate to the current (especially for long trace lengths). Where possible, fill large areas with copper to distribute the highest currents. These measures minimize IR drops, line inductance, and switching transients.

- Use several plated via holes to connect power supply traces between layers. The number of vias used should be proportional to the current being routed.
- Avoid loops in the supply distribution traces. Current-carrying loops are essentially antennas radiating electromagnetic fields that may corrupt transceiver performance or cause regulatory electromagnetic interference (EMI) test failures.
- High current traces should be kept as short as possible and devices on the same supply should be fed from a ‘star point’ rather than ‘daisy-chained’.
- Avoid loop in the VDD supply and clock supply traces, VDD supply traces and clock supply traces to be independent where possible.

13.2 Antenna port RF signal

General guidelines for routing RF signals of WLAN/BT antenna port. RF signals require controlled-impedance lines to minimize mismatch losses and efficiently transfer energy from source to load. The line impedance depends upon several variables — trace width and thickness, co-planar ground spacing, height of dielectric material between the trace and ground plane(s), and dielectric constant of the PCB material. Given the PCB material selected, the geometry of the micro-strip, strip-line, or co-planar grounded waveguide (CGW) elements must be designed properly to provide the desired 50- Ω impedance. Design of micro-strip, strip-line, and CGW elements is well documented and supported in many microwave software applications.

Additional RF-specific PCB design guidelines include:

- Keep the RF traces on the component sides (top or bottom layer) using micro-strip or CGW techniques where possible.
- Screen these traces to avoid electromagnetic interference.
- Use internal layers with strip-line techniques if necessary.
- Maintain continuous ground below micro-strip traces, beside CGW traces, and above and below strip-line traces.
- Keep traces short and direct, to minimize loss and undesired coupling.
- Front-end losses increase the system noise figure — keep traces before the first gain stage as short as possible and use low-loss capacitors and inductors.
- Clear internal layer (or layers) of metal. This improves micro-strip, CGW, and strip-line geometries, allowing wider traces.

- Fill the areas along both sides of traces with ground to improve isolation, but provide adequate clearance to minimize co-planar capacitance and leakage. These ground-filled areas are integral to CGW designs.
- Use several ground vias along both sides of the signal traces to connect RF ground-fill areas to the internal RF ground plane.
- Avoid crossing RF traces if possible.

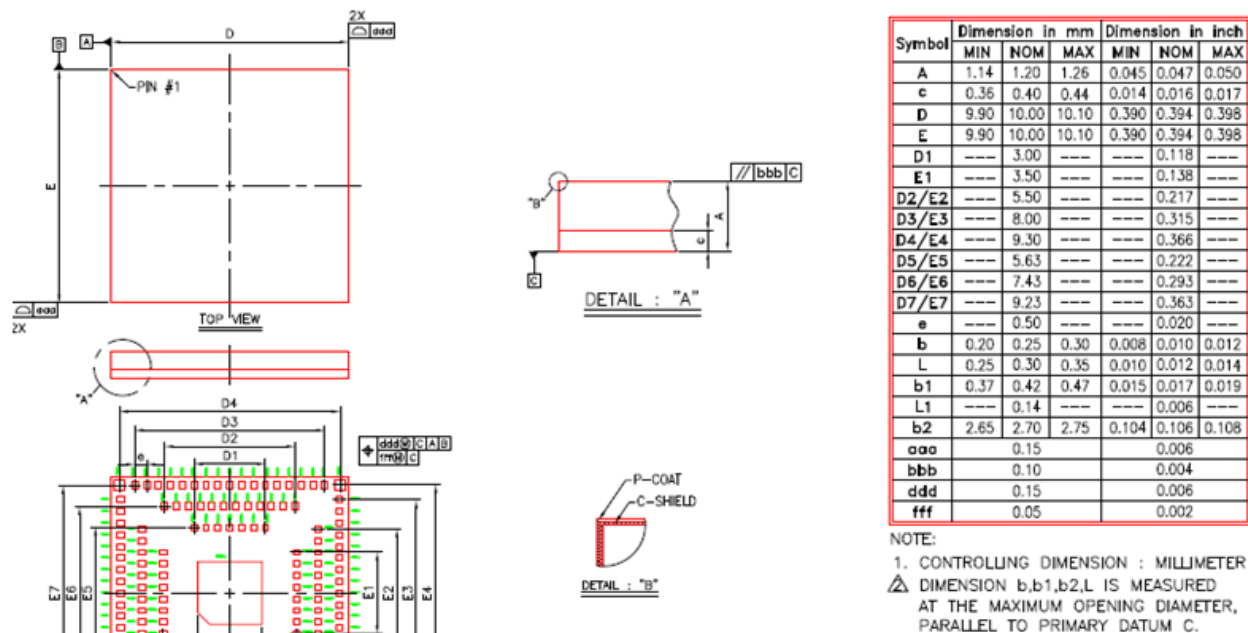
14 ISM4343-WBU-L151 Mechanical Specification

The following paragraphs provide the requirements for the size, weight.

The size and thickness of the ISM4343-WBU-L151 Module is 10mm (W) x 10mm (L) x 1.2mm (H):
 (Tolerance: +/- 0.1mm)

Mechanical Dimension

Dimension: 10 x 10 x 1.2 mm³

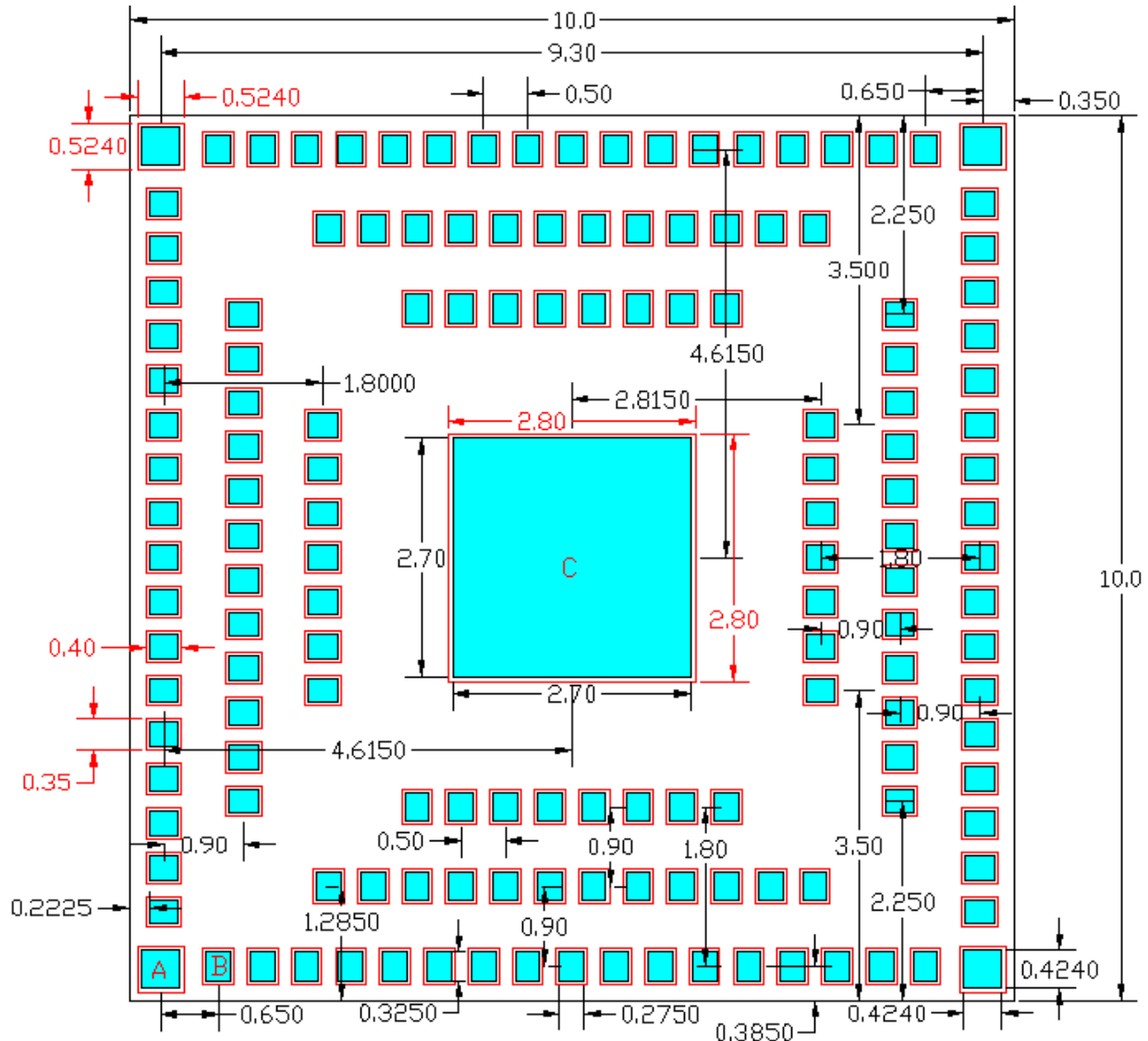


14.1 ISM4343-WBU-L151 Recommended PCB Footprint

(Bottom View)

Dimension Measurement

Unit: mm



Note:

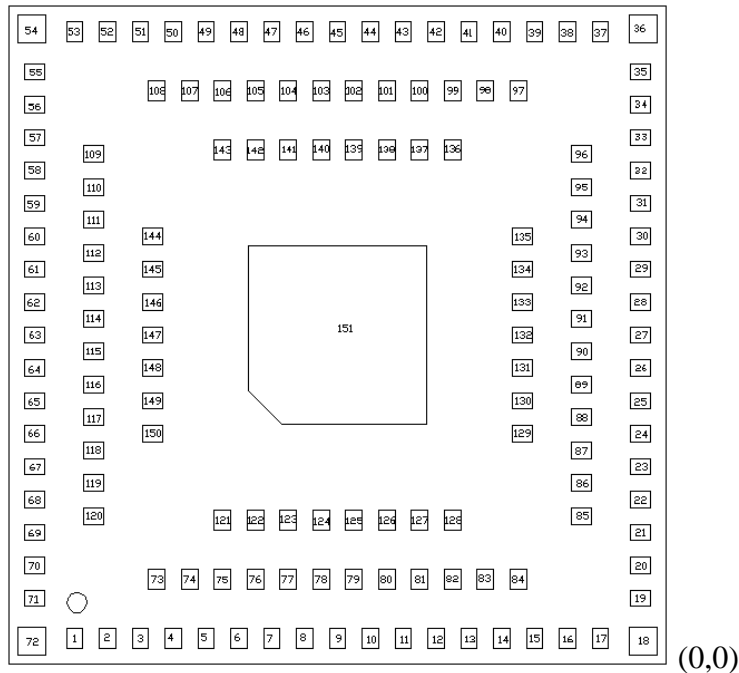
1. Please use Un-Solder Mask to design the Module Footprint.
2. There are three types pad size in the Module.
 - Type A: Pad size: 0.424 x 0.424mm² & Solder Mask size: 0.524 x 0.524 mm²
 - Type B: Pad size: 0.275 x 0.325mm² & Solder Mask size: 0.35 x 0.4 mm²
 - Type C: Pad size: 2.7 x 2.7mm² & Solder Mask size: 2.8 x 2.8 mm²

14.2 ISM4343-WBU-L151 Recommended PCB Footprint (Top View)

The X-Y Central Location Coordinates

Unit: mm (Drawn dimensions with chip 0,0 at bottom right corner)

Top View



PIN NUMBER	PAD Size (mm)	Solder Mask Size (mm)	PIN_X(mm)	PIN_Y(mm)
1	0.275 x 0.325	0.35 x 0.4	-9	0.385
2	0.275 x 0.325	0.35 x 0.4	-8.5	0.385
3	0.275 x 0.325	0.35 x 0.4	-8	0.385
4	0.275 x 0.325	0.35 x 0.4	-7.5	0.385
5	0.275 x 0.325	0.35 x 0.4	-7	0.385
6	0.275 x 0.325	0.35 x 0.4	-6.5	0.385
7	0.275 x 0.325	0.35 x 0.4	-6	0.385
8	0.275 x 0.325	0.35 x 0.4	-5.5	0.385
9	0.275 x 0.325	0.35 x 0.4	-5	0.385
10	0.275 x 0.325	0.35 x 0.4	-4.5	0.385
11	0.275 x 0.325	0.35 x 0.4	-4	0.385
12	0.275 x 0.325	0.35 x 0.4	-3.5	0.385
13	0.275 x 0.325	0.35 x 0.4	-3	0.385
14	0.275 x 0.325	0.35 x 0.4	-2.5	0.385
15	0.275 x 0.325	0.35 x 0.4	-2	0.385

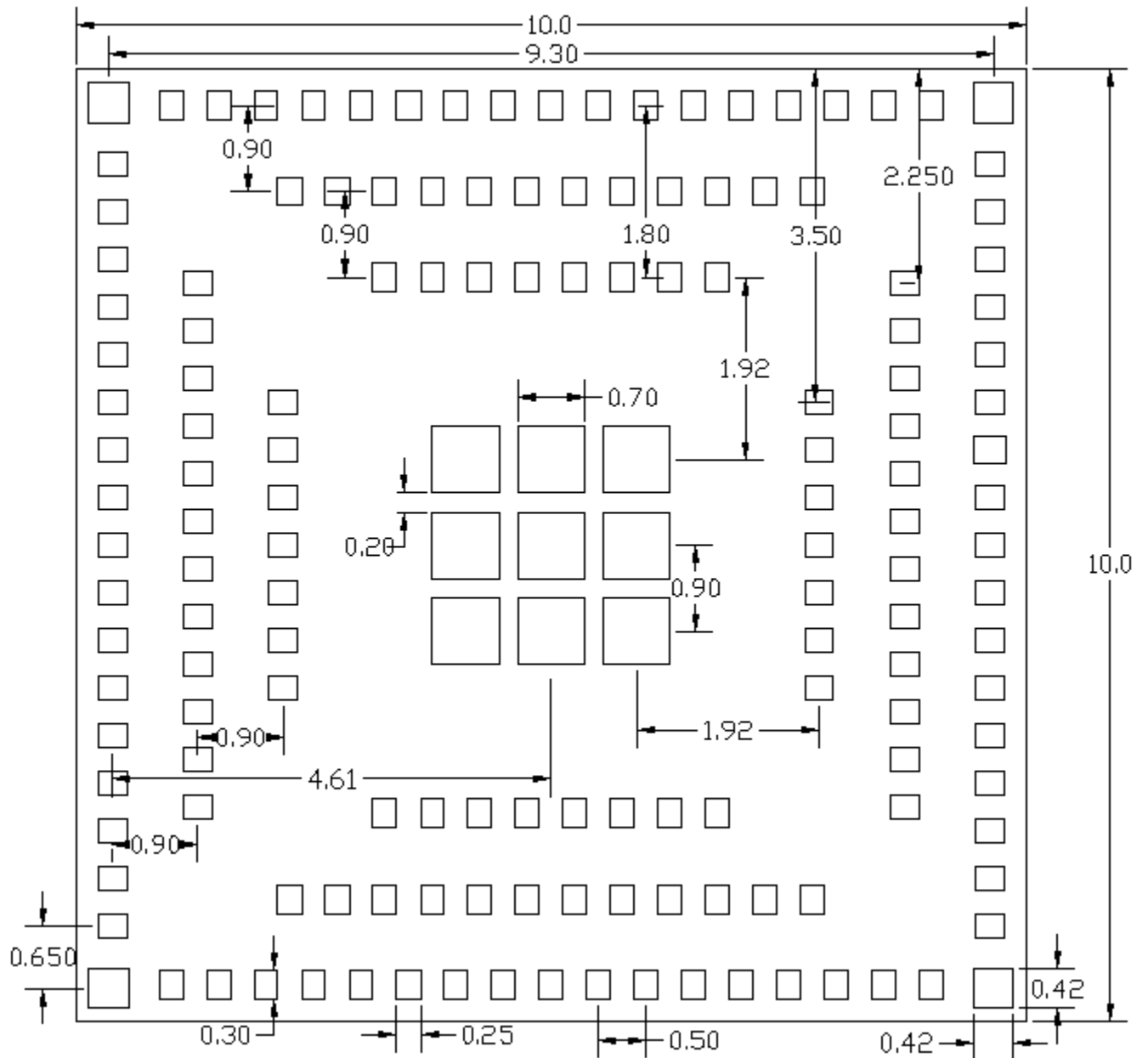
16	0.275 x 0.325	0.35 x 0.4	-1.5	0.385
17	0.275 x 0.325	0.35 x 0.4	-1	0.385
18	0.424 x 0.424	0.524 x 0.524	-0.35	0.35
19	0.325 x 0.275	0.4 x 0.35	-0.385	1
20	0.325 x 0.275	0.4 x 0.35	-0.385	1.5
21	0.325 x 0.275	0.4 x 0.35	-0.385	2
22	0.325 x 0.275	0.4 x 0.35	-0.385	2.5
23	0.325 x 0.275	0.4 x 0.35	-0.385	3
24	0.325 x 0.275	0.4 x 0.35	-0.385	3.5
25	0.325 x 0.275	0.4 x 0.35	-0.385	4
26	0.325 x 0.275	0.4 x 0.35	-0.385	4.5
27	0.325 x 0.275	0.4 x 0.35	-0.385	5
28	0.325 x 0.275	0.4 x 0.35	-0.385	5.5
29	0.325 x 0.275	0.4 x 0.35	-0.385	6
30	0.325 x 0.275	0.4 x 0.35	-0.385	6.5
31	0.325 x 0.275	0.4 x 0.35	-0.385	7
32	0.325 x 0.275	0.4 x 0.35	-0.385	7.5
33	0.325 x 0.275	0.4 x 0.35	-0.385	8
34	0.325 x 0.275	0.4 x 0.35	-0.385	8.5
35	0.325 x 0.275	0.4 x 0.35	-0.385	9
36	0.424 x 0.424	0.524 x 0.524	-0.35	9.65
37	0.275 x 0.325	0.35 x 0.4	-1	9.615
38	0.275 x 0.325	0.35 x 0.4	-1.5	9.615
39	0.275 x 0.325	0.35 x 0.4	-2	9.615
40	0.275 x 0.325	0.35 x 0.4	-2.5	9.615
41	0.275 x 0.325	0.35 x 0.4	-3	9.615
42	0.275 x 0.325	0.35 x 0.4	-3.5	9.615
43	0.275 x 0.325	0.35 x 0.4	-4	9.615
44	0.275 x 0.325	0.35 x 0.4	-4.5	9.615
45	0.275 x 0.325	0.35 x 0.4	-5	9.615
46	0.275 x 0.325	0.35 x 0.4	-5.5	9.615
47	0.275 x 0.325	0.35 x 0.4	-6	9.615
48	0.275 x 0.325	0.35 x 0.4	-6.5	9.615
49	0.275 x 0.325	0.35 x 0.4	-7	9.615
50	0.275 x 0.325	0.35 x 0.4	-7.5	9.615
51	0.275 x 0.325	0.35 x 0.4	-8	9.615

52	0.275 x 0.325	0.35 x 0.4	-8.5	9.615
53	0.275 x 0.325	0.35 x 0.4	-9	9.615
54	0.424 x 0.424	0.524 x 0.524	-9.65	9.65
55	0.325 x 0.275	0.4 x 0.35	-9.615	9
56	0.325 x 0.275	0.4 x 0.35	-9.615	8.5
57	0.325 x 0.275	0.4 x 0.35	-9.615	8
58	0.325 x 0.275	0.4 x 0.35	-9.615	7.5
59	0.325 x 0.275	0.4 x 0.35	-9.615	7
60	0.325 x 0.275	0.4 x 0.35	-9.615	6.5
61	0.325 x 0.275	0.4 x 0.35	-9.615	6
62	0.325 x 0.275	0.4 x 0.35	-9.615	5.5
63	0.325 x 0.275	0.4 x 0.35	-9.615	5
64	0.325 x 0.275	0.4 x 0.35	-9.615	4.5
65	0.325 x 0.275	0.4 x 0.35	-9.615	4
66	0.325 x 0.275	0.4 x 0.35	-9.615	3.5
67	0.325 x 0.275	0.4 x 0.35	-9.615	3
68	0.325 x 0.275	0.4 x 0.35	-9.615	2.5
69	0.325 x 0.275	0.4 x 0.35	-9.615	2
70	0.325 x 0.275	0.4 x 0.35	-9.615	1.5
71	0.325 x 0.275	0.4 x 0.35	-9.615	1
72	0.424 x 0.424	0.524 x 0.524	-9.65	0.35
73	0.275 x 0.325	0.35 x 0.4	-7.75	1.285
74	0.275 x 0.325	0.35 x 0.4	-7.25	1.285
75	0.275 x 0.325	0.35 x 0.4	-6.75	1.285
76	0.275 x 0.325	0.35 x 0.4	-6.25	1.285
77	0.275 x 0.325	0.35 x 0.4	-5.75	1.285
78	0.275 x 0.325	0.35 x 0.4	-5.25	1.285
79	0.275 x 0.325	0.35 x 0.4	-4.75	1.285
80	0.275 x 0.325	0.35 x 0.4	-4.25	1.285
81	0.275 x 0.325	0.35 x 0.4	-3.75	1.285
82	0.275 x 0.325	0.35 x 0.4	-3.25	1.285
83	0.275 x 0.325	0.35 x 0.4	-2.75	1.285
84	0.275 x 0.325	0.35 x 0.4	-2.25	1.285
85	0.325 x 0.275	0.4 x 0.35	-1.285	2.25
86	0.325 x 0.275	0.4 x 0.35	-1.285	2.75
87	0.325 x 0.275	0.4 x 0.35	-1.285	3.25
88	0.325 x 0.275	0.4 x 0.35	-1.285	3.75

89	0.325 x 0.275	0.4 x 0.35	-1.285	4.25
90	0.325 x 0.275	0.4 x 0.35	-1.285	4.75
91	0.325 x 0.275	0.4 x 0.35	-1.285	5.25
92	0.325 x 0.275	0.4 x 0.35	-1.285	5.75
93	0.325 x 0.275	0.4 x 0.35	-1.285	6.25
94	0.325 x 0.275	0.4 x 0.35	-1.285	6.75
95	0.325 x 0.275	0.4 x 0.35	-1.285	7.25
96	0.325 x 0.275	0.4 x 0.35	-1.285	7.75
97	0.275 x 0.325	0.35 x 0.4	-2.25	8.715
98	0.275 x 0.325	0.35 x 0.4	-2.75	8.715
99	0.275 x 0.325	0.35 x 0.4	-3.25	8.715
100	0.275 x 0.325	0.35 x 0.4	-3.75	8.715
101	0.275 x 0.325	0.35 x 0.4	-4.25	8.715
102	0.275 x 0.325	0.35 x 0.4	-4.75	8.715
103	0.275 x 0.325	0.35 x 0.4	-5.25	8.715
104	0.275 x 0.325	0.35 x 0.4	-5.75	8.715
105	0.275 x 0.325	0.35 x 0.4	-6.25	8.715
106	0.275 x 0.325	0.35 x 0.4	-6.75	8.715
107	0.275 x 0.325	0.35 x 0.4	-7.25	8.715
108	0.275 x 0.325	0.35 x 0.4	-7.75	8.715
109	0.325 x 0.275	0.4 x 0.35	-8.715	7.75
110	0.325 x 0.275	0.4 x 0.35	-8.715	7.25
111	0.325 x 0.275	0.4 x 0.35	-8.715	6.75
112	0.325 x 0.275	0.4 x 0.35	-8.715	6.25
113	0.325 x 0.275	0.4 x 0.35	-8.715	5.75
114	0.325 x 0.275	0.4 x 0.35	-8.715	5.25
115	0.325 x 0.275	0.4 x 0.35	-8.715	4.75
116	0.325 x 0.275	0.4 x 0.35	-8.715	4.25
117	0.325 x 0.275	0.4 x 0.35	-8.715	3.75
118	0.325 x 0.275	0.4 x 0.35	-8.715	3.25
119	0.325 x 0.275	0.4 x 0.35	-8.715	2.75
120	0.325 x 0.275	0.4 x 0.35	-8.715	2.25
121	0.275 x 0.325	0.35 x 0.4	-6.75	2.185
122	0.275 x 0.325	0.35 x 0.4	-6.25	2.185
123	0.275 x 0.325	0.35 x 0.4	-5.75	2.185
124	0.275 x 0.325	0.35 x 0.4	-5.25	2.185
125	0.275 x 0.325	0.35 x 0.4	-4.75	2.185

126	0.275 x 0.325	0.35 x 0.4	-4.25	2.185
127	0.275 x 0.325	0.35 x 0.4	-3.75	2.185
128	0.275 x 0.325	0.35 x 0.4	-3.25	2.185
129	0.325 x 0.275	0.4 x 0.35	-2.185	3.5
130	0.325 x 0.275	0.4 x 0.35	-2.185	4
131	0.325 x 0.275	0.4 x 0.35	-2.185	4.5
132	0.325 x 0.275	0.4 x 0.35	-2.185	5
133	0.325 x 0.275	0.4 x 0.35	-2.185	5.5
134	0.325 x 0.275	0.4 x 0.35	-2.185	6
135	0.325 x 0.275	0.4 x 0.35	-2.185	6.5
136	0.275 x 0.325	0.35 x 0.4	-3.25	7.815
137	0.275 x 0.325	0.35 x 0.4	-3.75	7.815
138	0.275 x 0.325	0.35 x 0.4	-4.25	7.815
139	0.275 x 0.325	0.35 x 0.4	-4.75	7.815
140	0.275 x 0.325	0.35 x 0.4	-5.25	7.815
141	0.275 x 0.325	0.35 x 0.4	-5.75	7.815
142	0.275 x 0.325	0.35 x 0.4	-6.25	7.815
143	0.275 x 0.325	0.35 x 0.4	-6.75	7.815
144	0.325 x 0.275	0.4 x 0.35	-7.815	6.5
145	0.325 x 0.275	0.4 x 0.35	-7.815	6
146	0.325 x 0.275	0.4 x 0.35	-7.815	5.5
147	0.325 x 0.275	0.4 x 0.35	-7.815	5
148	0.325 x 0.275	0.4 x 0.35	-7.815	4.5
149	0.325 x 0.275	0.4 x 0.35	-7.815	4
150	0.325 x 0.275	0.4 x 0.35	-7.815	3.5
151	2.7 x 2.7	2.8 x 2.8	-5	5

14.3 ISM4343-WBU-L151 Recommend Stencil: Unit: mm





17 On Board OTA Flash

The ISM4343-WBU-L151 and ISM4343-WBU-L54 includes 2 MB SPI flash for OTA.

Standard Product	
ISM4343-WBU-L151	2 MB Flash
ISM4343-WBU-L54	2 MB Flash

Internal Flash Part Number: Macronix MX25L1633.

15 Product Compliance Considerations

RoHS: Restriction of Hazardous Substances (RoHS) directive has come into force since 1st July 2006 all electronic products sold in the EU must be free of hazardous materials, such as lead. Inventek is fully committed to being one of the first to introduce lead-free products while maintaining backwards compatibility and focusing on a continuously high level of product and manufacturing quality.

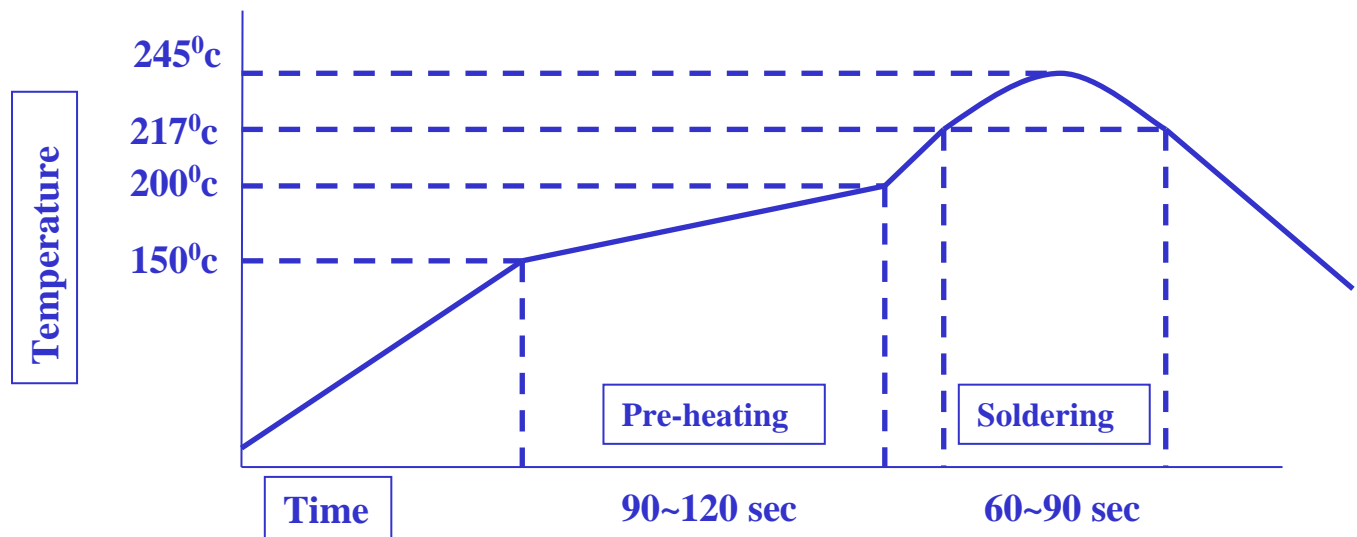
EMI/EMC: The Inventek module design embeds EMI/EMC suppression features and accommodations to allow for higher operational reliability in noisier (RF) environments and easier integration compliance in host (OEM) applications.

FCC/CE: THIS DEVICE IS CERTIFIED AND OPERATION IS SUBJECT TO THE FOLLOWING TWO CONDITIONS.

- (1) THIS DEVICE MAY NOT CAUSE HARMFUL INTERFERENCE, AND
- (2) THIS DEVICE MUST ACCEPT ANY INTERFERENCE RECEIVED, INCLUDING INTERFERENCE THAT MAY CAUSE UNDESIRED OPERATION.

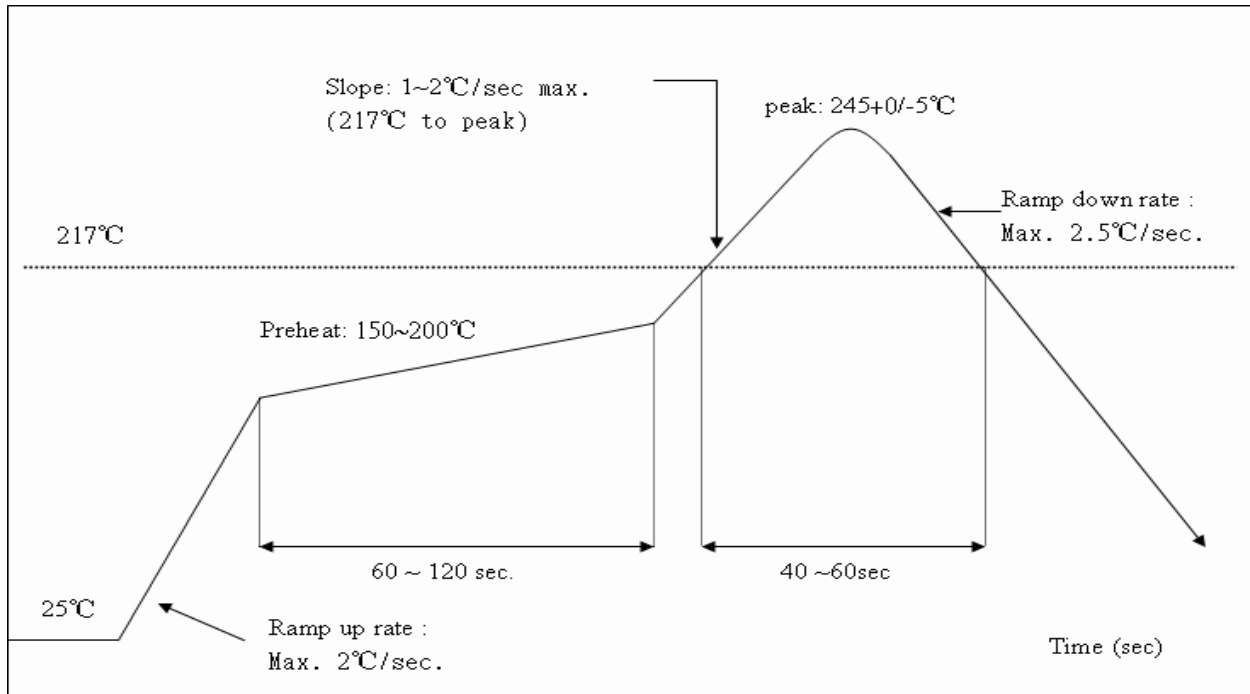
16 ISM4343-WBU-L151 Reflow Profile

- Reference the IPC/JEDEC standard.
- Peak Temperature: <250°C
- Number of Times: ≤2 times




17 ISM4343-WBU-L54 Reflow Profile

- Reference the IPC/JEDEC standard.
- Peak Temperature: <250°C
- Number of Times: ≤2 times



18 Packaging Information

18.1 MSL Level / Storage Condition

	Caution This bag contains MOISTURE-SENSITIVE DEVICES	LEVEL 3
		<small>If blank, see adjacent bar code label</small>
1. Calculated shelf life in sealed bag: 12 months at < 40°C and < 90% relative humidity (RH)		
2. Peak package body temperature: <u>250</u> °C <small>If blank, see adjacent bar code label</small>		
3. After bag is opened, devices that will be subjected to reflow solder or other high temperature process must be		
a) Mounted within: <u>168</u> hours of factory conditions <small>If blank, see adjacent bar code label</small>		
≤ 30°C/60% RH, or		
b) Stored per J-STD-033		
4. Devices require bake, before mounting, if:		
a) Humidity Indicator Card reads > 10% for level 2a - 5a devices or > 60% for level 2 devices when read at 23 ± 5°C		
b) 3a or 3b not met		
5. If baking is required, refer to IPC/JEDEC J-STD-033 for bake procedure		
Bag Seal Date: _____	Insert Seal Date _____	
	<small>If blank, see adjacent bar code label</small>	
Note: Level and body temperature defined by IPC/JEDEC J-STD-020		
06736 / 91309	DescoIndustries.com	

18.2 Device baking requirements prior to assembly

Boards must be baked prior to rework or assembly to avoid damaging moisture sensitive components during localized reflow. The default bake cycles is 24 hours at 125C.

Maintaining proper control of moisture uptake in components is critical.

Before opening the shipping bag and attempting solder reflow, you should maintain a minimal out-of-bag time and ensure the highest possible package reliability for the final product.

19 Revision Control

Document: ISM4343-WBU-L151	Wi-Fi + BT/BLE + Cortex M33 Module
External Release	DOC-DS-20074-3.0

Date	Author	Revision	Comment
2/1/2023	MT	R1	Preliminary Release
8/15/2023	SP	R2	Updated L151 pinouts and minor corrections
10/24/2023	MT	R3	Minor correction
6/25/2024	RB	R4	Revised P/N

20 CONTACT INFORMATION

Inventek Systems
 2 Republic Road
 Billerica Ma, 01862
 Tel: 978-667-1962
Sales@inventeksys.com

www.inventeksys.com

Copyright 2017, Inventek Systems. All Rights Reserved. This software, associated documentation and materials ("Software"), referenced and provided with this documentation is owned by Inventek Systems and is protected by and subject to worldwide patent protection (United States and foreign), United States copyright laws and international treaty provisions. Therefore, you may use this Software only as provided in the license agreement accompanying the software package from which you obtained this Software

("EULA"). If no EULA applies, Inventek Systems hereby grants you a personal, non-exclusive, non-transferable license to copy, modify, and compile the Software source code solely for use in connection with Inventek's integrated circuit products.

Any reproduction, modification, translation, compilation, or representation of this Software except as specified above is prohibited without the express written permission of Inventek. Disclaimer: THIS SOFTWARE IS PROVIDED AS-IS, WITH NO WARRANTY OF ANY KIND, EXPRESS OR IMPLIED, INCLUDING, BUT NOT LIMITED TO, NONINFRINGEMENT, IMPLIED WARRANTIES OF MERCHANTABILITY AND FITNESS FOR A PARTICULAR PURPOSE.

Inventek reserves the right to make changes to the Software without notice. Inventek does not assume any liability arising out of the application or use of the Software or any product or circuit described in the Software. Inventek does not authorize its products for use in any products where a malfunction or failure of the Inventek product may reasonably be expected to result in significant property damage, injury, or death ("High Risk Product"). By including Inventek's product in a High Risk product, the manufacturer of such system or application assumes all risk of such use and in doing so agrees to indemnify Inventek against all liability. Inventek Systems reserves the right to make changes without further notice to any products or data herein to improve reliability, function, or design. The information contained within is believed to be accurate and reliable. However, Inventek does not assume any liability arising out of the application or use of this information, nor the application or use of any product or circuit described herein, neither does it convey any license under its patent rights nor the rights of others.

Disclaimer

ALL PRODUCTS, PRODUCT SPECIFICATIONS AND DATA ARE SUBJECT TO CHANGE WITHOUT NOTICE TO IMPROVE RELIABILITY, FUNCTION OR DESIGN OR OTHERWISE.

Texim Europe B.V. its affiliates, agents, and employees, and all persons acting on its or their behalf (collectively, "Texim"), disclaim any and all liability for any errors, inaccuracies or incompleteness contained in any datasheet or in any other disclosure relating to any product.

Texim makes no warranty, representation or guarantee regarding the suitability of the products for any particular purpose or the continuing production of any product.

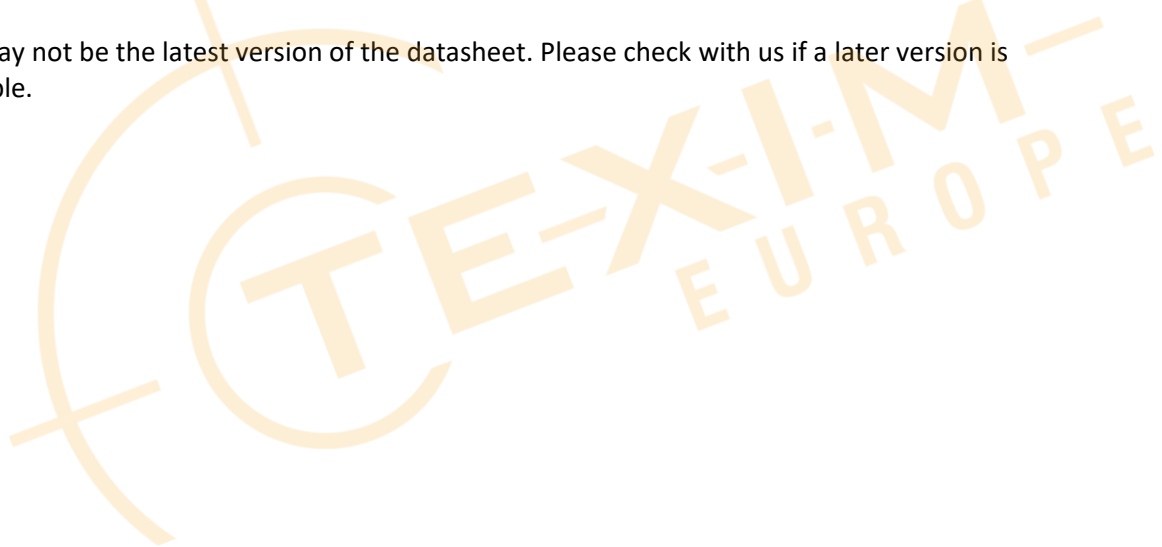
It is the customer's responsibility to validate that a particular product with the properties described in the product specification is suitable for use in a particular application.

Parameters provided in datasheets and / or specifications may vary in different applications and performance may vary over time.

All operating parameters, including typical parameters, must be validated for each customer application by the customer's technical experts.

Please contact us if you have any questions about the contents of the datasheet.

This may not be the latest version of the datasheet. Please check with us if a later version is available.





Headquarters & Warehouse

Elektrostraat 17
NL-7483 PG Haaksbergen
The Netherlands

T: +31 (0)53 573 33 33
E: info@texim-europe.com
Homepage: www.texim-europe.com



The Netherlands

Elektrostraat 17
NL-7483 PG Haaksbergen

T: +31 (0)53 573 33 33
E: nl@texim-europe.com



Belgium

Zuiderlaan 14, box 10
B-1731 Zellik

T: +32 (0)2 462 01 00
E: belgium@texim-europe.com



UK & Ireland

St Mary's House, Church Lane
Carlton Le Moorland
Lincoln LN5 9HS

T: +44 (0)1522 789 555
E: uk@texim-europe.com



Germany - North

Bahnhofstrasse 92
D-25451 Quickborn

T: +49 (0)4106 627 07-0
E: germany@texim-europe.com



Germany - South

Martin-Kollar-Strasse 9
D-81829 München

T: +49 (0)89 436 086-0
E: muenchen@texim-europe.com



Austria

Warwitzstrasse 9
A-5020 Salzburg

T: +43 (0)662 216 026
E: austria@texim-europe.com



Nordic

Søndre Jagtvej 12
DK-2970 Hørsholm

T: +45 88 20 26 30
E: nordic@texim-europe.com



Italy

Martin-Kollar-Strasse 9
D-81829 München

T: +49 (0)89 436 086-0
E: italy@texim-europe.com