

RFPC-SMA23-FN: SMA Bulkhead Jack With O-ring, Edge Mount Connector, Rated to IP68/69K, 6GHz

Material and Plating:

- Insulator A: Teflon
- Insulator B: Teflon
- Body: Brass, Gold Plated
- Pin: Phosphor Bronze, Gold Plated
- Gasket A: Silicone rubber, Color: Red
- Gasket B: Silicone rubber, Color: Red
- O-Ring: Silicone rubber, Color: Red
- Barrel: Brass, Gold Plated

Washer: Brass, Gold Plated

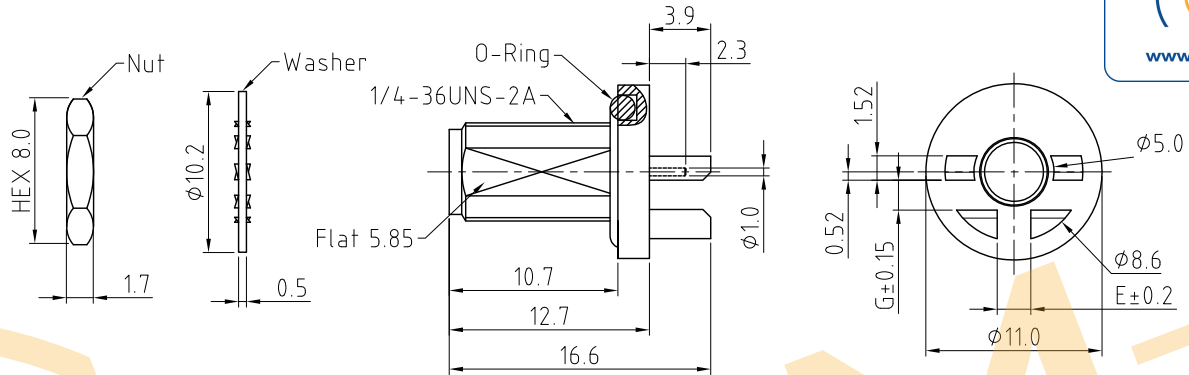
Nut: Brass, Gold Plated

Environmental:

- A. Tested to:
 - i. IP6x - Dust tight - no particle ingress.
 - ii. IPx8 Waterproof for 48 hours at 1 meter underwater.
 - iii. IPx9K Water spray, 14-16L per minute, at 8,000 ~ 10,000 kPa, at 100-150mm distance for 30 seconds.

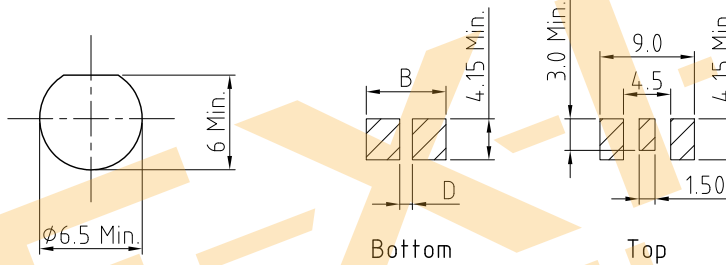
Notes:

- 1. Working Frequency Range: DC-6GHz.
- 2. Operating Temperature: -65°C to +165°C.
- 3. Impedance: 50 Ohm
- 4. VSWR: 1.5 Max.
- 5. Recommended PCB Thickness: 0.80mm or 1.60mm.
Other PCB thickness available on request



Distributed by:

www.texim-europe.com



Dim B	Dim D	Dim E	Dim G	Recommended PCB thickness
8.4	3.7	4.0	0.95	0.80
7.6	1.2	1.55	1.86	1.60

Recommended Mounting Hole

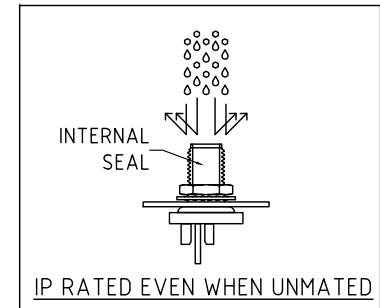
Recommended Foot Print
Tolerance: ±0.05

HOW TO ORDER

RFPC - SMA23 - FN - XXX - X

DIMENSION G OPTIONS:
095 = 0.95MM, FOR 0.80MM PCB THICKNESS
186 = 1.86MM, FOR 1.60MM PCB THICKNESS

WASHER AND NUT OPTIONS:
BLANK = SEPARATELY PACKED (STANDARD)
A = ALL ASSEMBLED WITH CONNECTOR



REV. DATE & DRN	10 23/05/73 - NYW RELEASE
11 26/06/73 - NYW UPDATE IP RATING	
12 08/09/73 - NYW ANGLE DIMENSION	
13 31/03/74 - CC ADD IP RATING VIEW	
14 12/04/74 - CC ADD NOTE FOR OTHER PCB THICKNESS	
15 12/04/74 - CC ADD 0.95MM GAP OPTIONS.	

Scale: NTS	THIRD ANGLE	Unstated .X .XX .XXX ANGLES	Tolerances: ±0.2 ±0.2 ±0.2 N/A
Drawn: CC			
App'd: XXX	Title SMA PCB Connector		
Date: 29 JUL '24	Revision: 15	Unit: mm	

IP Rated RF Products

www.gradconn.com

Type: RFPC-SMA23-FN
RFPC-SMA23-FN
Drawing Number:
Sheet 1 of 1
Drawing © E and O E

Disclaimer

ALL PRODUCTS, PRODUCT SPECIFICATIONS AND DATA ARE SUBJECT TO CHANGE WITHOUT NOTICE TO IMPROVE RELIABILITY, FUNCTION OR DESIGN OR OTHERWISE.

Texim Europe B.V. its affiliates, agents, and employees, and all persons acting on its or their behalf (collectively, "Texim"), disclaim any and all liability for any errors, inaccuracies or incompleteness contained in any datasheet or in any other disclosure relating to any product.

Texim makes no warranty, representation or guarantee regarding the suitability of the products for any particular purpose or the continuing production of any product.

It is the customer's responsibility to validate that a particular product with the properties described in the product specification is suitable for use in a particular application.

Parameters provided in datasheets and / or specifications may vary in different applications and performance may vary over time.

All operating parameters, including typical parameters, must be validated for each customer application by the customer's technical experts.

Please contact us if you have any questions about the contents of the datasheet.

This may not be the latest version of the datasheet. Please check with us if a later version is available.



Headquarters & Warehouse

Elektrostraat 17
 NL-7483 PG Haaksbergen
 The Netherlands

T: +31 (0)53 573 33 33
 E: info@texim-europe.com
 Homepage: www.texim-europe.com



The Netherlands

Elektrostraat 17
 NL-7483 PG Haaksbergen

T: +31 (0)53 573 33 33
 E: nl@texim-europe.com



Belgium

Zuiderlaan 14, box 10
 B-1731 Zellik

T: +32 (0)2 462 01 00
 E: belgium@texim-europe.com



UK & Ireland

St Mary's House, Church Lane
 Carlton Le Moorland
 Lincoln LN5 9HS

T: +44 (0)1522 789 555
 E: uk@texim-europe.com



Germany - North

Bahnhofstrasse 92
 D-25451 Quickborn

T: +49 (0)4106 627 07-0
 E: germany@texim-europe.com



Germany - South

Martin-Kollar-Strasse 9
 D-81829 München

T: +49 (0)89 436 086-0
 E: muenchen@texim-europe.com



Austria

Warwitzstrasse 9
 A-5020 Salzburg

T: +43 (0)662 216 026
 E: austria@texim-europe.com



Nordic

Søndre Jagtvej 12
 DK-2970 Hørsholm

T: +45 88 20 26 30
 E: nordic@texim-europe.com



Italy

Martin-Kollar-Strasse 9
 D-81829 München

T: +49 (0)89 436 086-0
 E: italy@texim-europe.com