

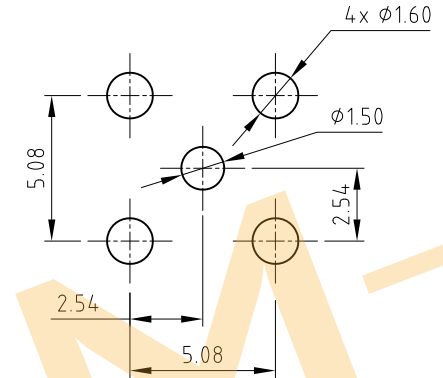
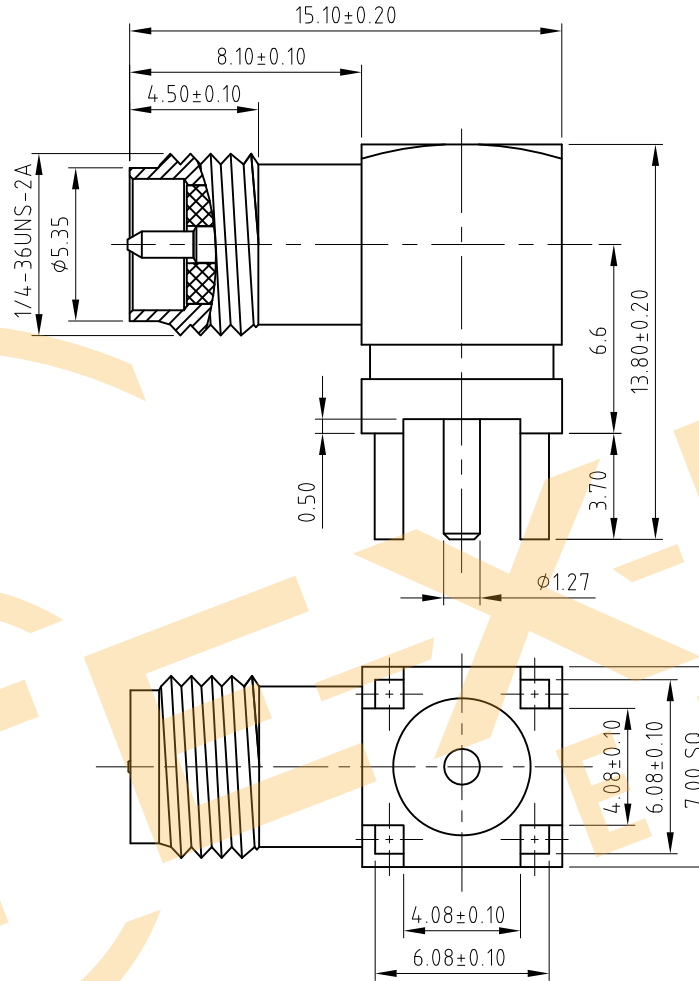
RFPC-SMA30-F : RP SMA Right Angle Jack, PCB Connector, 6GHz

Material and Plating:

Insulator: PTFE  
Pin: Brass, Gold  
Body: Brass, Gold

Specification:

Operating Temperature: -55°C~+125°C  
Working Frequency Range: DC~6GHz  
Impedance: 50 Ohm.



REV. DATE & DRN  
1.0 24/10/23 - CC RELEASE  
1.1 29/03/24 - CC RELEASE  
Update product description

Scale: NTS	THIRD ANGLE	Unstated Tolerances: .X ±0.2 .XX ±0.1 .XXX ±0.05 ANGLES ±3°	Material SEE NOTE
Drawn: CC			
App'd: XXX	Title RP SMA PCB Connector		NOT TO SCALE
Date: 29 MAR. '24	Revision: 1.1		Unit: mm

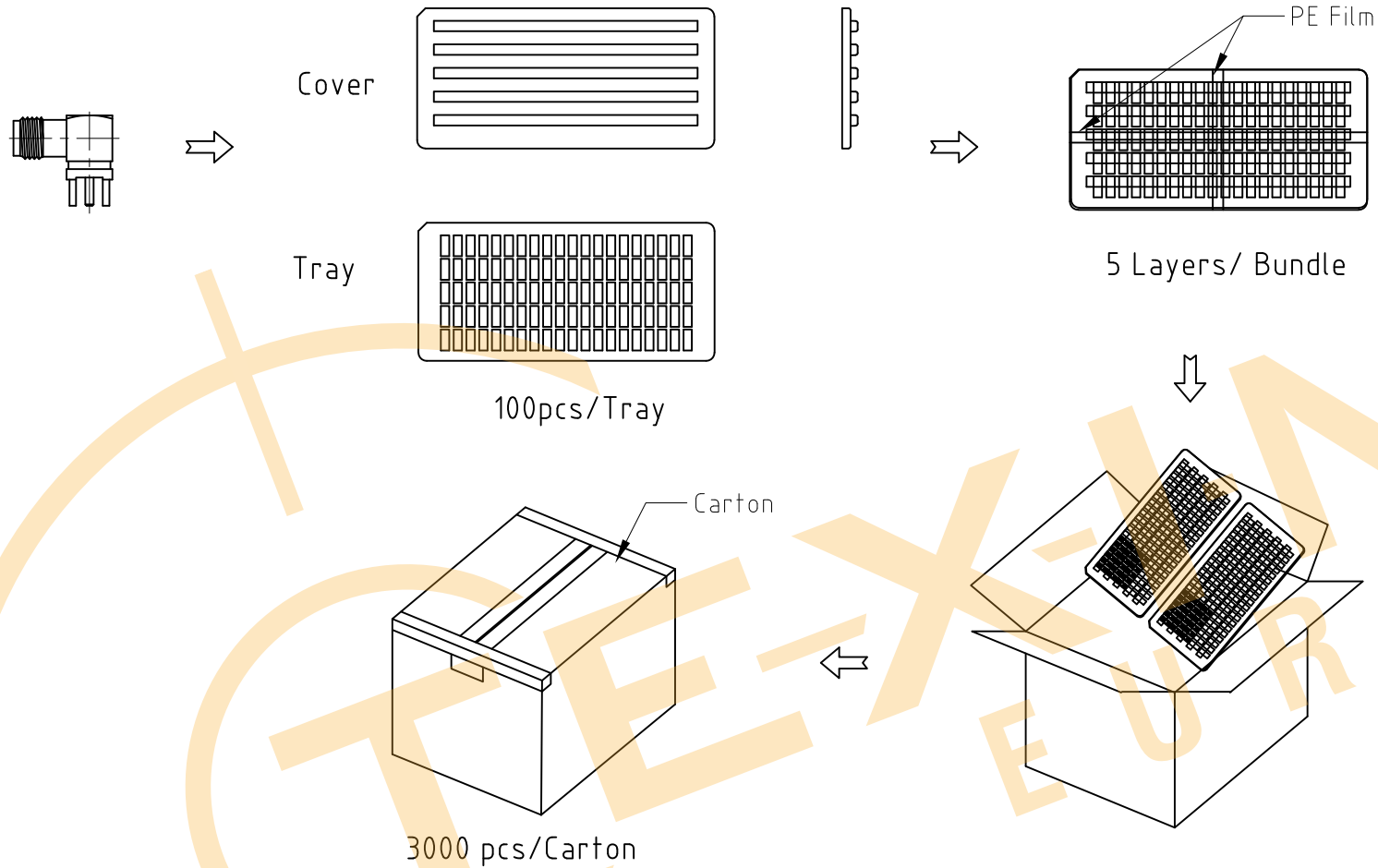


www.gradconn.com

THIS DRAWING IS CONFIDENTIAL AND MUST NOT BE COPIED OR DISCLOSED WITHOUT WRITTEN CONSENT

Type: RFPC-SMA30-F
RFPC-SMA30-F
Drawing Number:
Sheet 1 of 2
Drawing © E and O E

RFPC-SMA30-F : RP SMA Right Angle Jack, PCB Connector, 6GHz



pcs / Tray	Trays / Carton	pcs/Carton
100	30	3000

REV. DATE & DRN  
1.0 24/10/23 - CC RELEASE  
1.1 29/03/24 - CC RELEASE  
Update product description

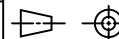
Scale: NTS

Drawn: CC

App'd: XXX

Date: 29 MAR. '24

THIRD ANGLE



Title RP SMA PCB Connector

Revision: 1.1

Unstated Tolerances:  
.X ±0.2  
.XX ±0.1  
.XXX ±0.05  
ANGLES ±3°

Material  
SEE NOTE

NOT TO SCALE

Unit: mm



www.gradconn.com

THIS DRAWING IS CONFIDENTIAL AND MUST NOT BE COPIED OR DISCLOSED WITHOUT WRITTEN CONSENT

Type: RFPC-SMA30-F

RFPC-SMA30-F

Drawing Number:

Sheet 2 of 2

Drawing © E and O E

## **Disclaimer**

ALL PRODUCTS, PRODUCT SPECIFICATIONS AND DATA ARE SUBJECT TO CHANGE WITHOUT NOTICE TO IMPROVE RELIABILITY, FUNCTION OR DESIGN OR OTHERWISE.

Texim Europe B.V. its affiliates, agents, and employees, and all persons acting on its or their behalf (collectively, "Texim"), disclaim any and all liability for any errors, inaccuracies or incompleteness contained in any datasheet or in any other disclosure relating to any product.

Texim makes no warranty, representation or guarantee regarding the suitability of the products for any particular purpose or the continuing production of any product.

It is the customer's responsibility to validate that a particular product with the properties described in the product specification is suitable for use in a particular application.

Parameters provided in datasheets and / or specifications may vary in different applications and performance may vary over time.

All operating parameters, including typical parameters, must be validated for each customer application by the customer's technical experts.

Please contact us if you have any questions about the contents of the datasheet.

This may not be the latest version of the datasheet. Please check with us if a later version is available.



## Headquarters & Warehouse

Elektrostraat 17  
 NL-7483 PG Haaksbergen  
 The Netherlands

T: +31 (0)53 573 33 33  
 E: info@texim-europe.com  
 Homepage: www.texim-europe.com



## The Netherlands

Elektrostraat 17  
 NL-7483 PG Haaksbergen

T: +31 (0)53 573 33 33  
 E: nl@texim-europe.com



## Belgium

Zuiderlaan 14, box 10  
 B-1731 Zellik

T: +32 (0)2 462 01 00  
 E: belgium@texim-europe.com



## UK & Ireland

St Mary's House, Church Lane  
 Carlton Le Moorland  
 Lincoln LN5 9HS

T: +44 (0)1522 789 555  
 E: uk@texim-europe.com



## Germany - North

Bahnhofstrasse 92  
 D-25451 Quickborn

T: +49 (0)4106 627 07-0  
 E: germany@texim-europe.com



## Germany - South

Martin-Kollar-Strasse 9  
 D-81829 München

T: +49 (0)89 436 086-0  
 E: muenchen@texim-europe.com



## Austria

Warwitzstrasse 9  
 A-5020 Salzburg

T: +43 (0)662 216 026  
 E: austria@texim-europe.com



## Nordic

Søndre Jagtvej 12  
 DK-2970 Hørsholm

T: +45 88 20 26 30  
 E: nordic@texim-europe.com



## Italy

Martin-Kollar-Strasse 9  
 D-81829 München

T: +49 (0)89 436 086-0  
 E: italy@texim-europe.com