

CAB412RF: I-PEX MHF PLUG + S/S SMA FEMALE STRAIGHT BULKHEAD JACK W/O-RING RATED TO IP68/69K + MULTIPLE CABLE SIZES

SPECIFICATIONS :

1. I-PEX MHF PLUG, GOLD PLATED, P/N:  
FOR RG178 CABLE: 20278-112R-18.  
FOR  $\phi$ 1.13MM CABLE: 20278-112R-13.  
FOR  $\phi$ 1.32MM DS CABLE: 20278-112R-32.
2. COAXIAL CABLE, SEE P/N OPTIONS FOR DETAIL.
3. SMA STRAIGHT BULKHEAD JACK W/O-RING, W/SUS303 STAINLESS STEEL BODY, TESTED TO IP68/69K, P/N: RFCT-SMA061-F78 (WITH SILICON O-RING) OR RFCT-SMA061-F78-1 (WITH EPDM O-RING).

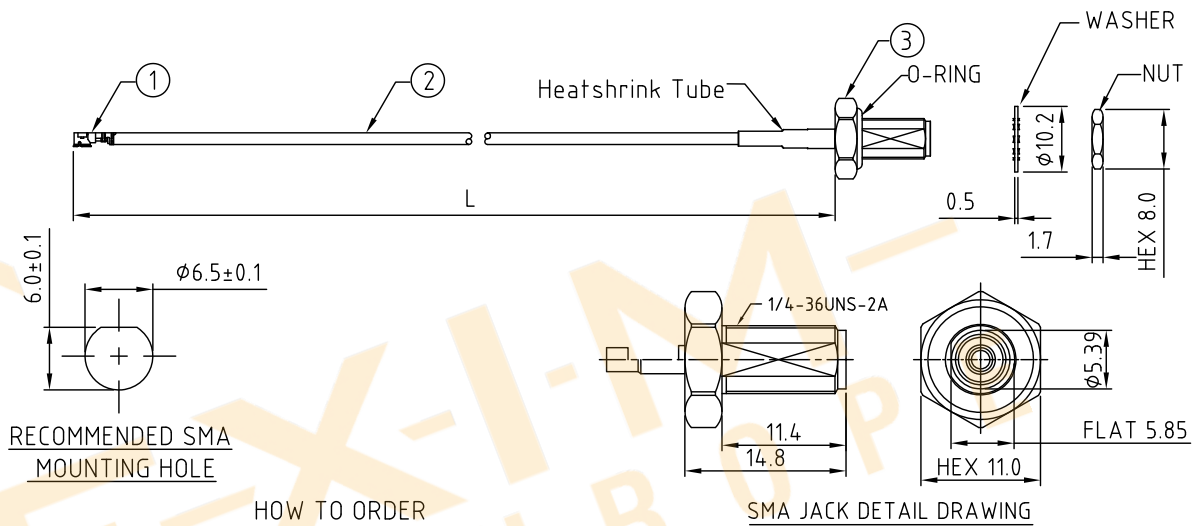
**USAGE PRECAUTIONS: CABLES USING 'MICRO' COAX ARE DELICATE:**  
 (i) HANDLE WITH CARE.  
 (ii) DO NOT TWIST; APPLY EXCESSIVE FORCES OR SHARP BENDS TO THE CABLE. DO NOT FORCEFULLY DEFORM WIRES.  
 (iii) CONSULT CONNECTOR MANUFACTURER'S DATASHEETS FOR DETAILED NOTES ON HANDLING INSTRUCTIONS.

ENVIRONMENTAL:

- A. BULKHEAD MOUNTED CONNECTOR (RFCT-SMA061-F78) TESTED TO THE FOLLOWING SPECIFICATION:
  - i. IP6X - DUST TIGHT - NO PARTICLE INGRESS.
  - ii. IPX8 WATERPROOF FOR 48 HOURS AT 1 METER UNDERWATER.
  - iii. IPX9K WATER SPRAY, 14-16L PER MINUTE, AT 8,000-10,000 KPA, AT 100-150MM DISTANCE FOR 30 SECONDS.

NOTES:

1. THE ORIENTATION OF CONNECTORS ON DRAWING IS FOR REFERENCE ONLY, IF THE ORDER IS LEFT BLANK THE CONNECTOR WILL NOT HAVE FIXED ORIENTATION.
2. FIXED ORIENTATION IS SUGGESTED FOR CABLE LENGTH 25MM TO 100MM. PLEASE SPECIFY THE FIXED ORIENTATIONS FROM THE ORDER CODE (F1, F2, ETC)
3. CONTACT GRADCONN IF THE ORIENTATION YOU REQUIRE IS NOT SHOWN.
4. WORKING FREQUENCY RANGE: DC-3GHz.
5. OPERATING TEMPERATURE: -40°C TO +85°C
6. IMPEDANCE: 50 OHM
7. IF THE CONNECTOR IS USED IN A CORROSIVE ENVIRONMENT, WE RECOMMEND THE CONNECTOR FACE IS PROTECTED WITH A STAINLESS STEEL DUST CAP.
8. PLEASE USE THE RECOMMENDED TORQUE FORCES FOR STAINLESS STEEL CONNECTORS. THIS IS PUBLISHED ON GRADCONN.COM RESOURCES PAGE.



RECOMMENDED SMA MOUNTING HOLE

HOW TO ORDER  
 CAB412RF - X X X X - X X - X - X - X

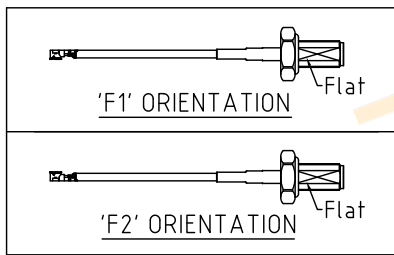
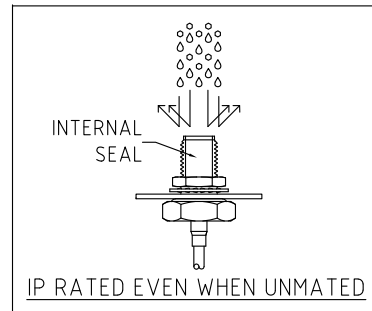
"L" LENGTH IN MM:  
 eg: 100MM = 0100  
 (MIN. 0050-MAX.0400)  
 STANDARD = 0100, 0150, 0200)  
 Tolerance: 50mm: ±2mm.  
 51-200mm: ±5mm.  
 201-400mm: ±7mm.

CABLE SIZE OPTIONS:  
 1 = RG178 CABLE, COLOR: BROWN.  
 2 =  $\phi$ 1.13MM CABLE, COLOR: GRAY.  
 3 =  $\phi$ 1.32MM DS CABLE, COLOR: GRAY.

WASHER AND NUT OPTIONS:  
 BLANK = SEPARATELY PACKED (STANDARD)  
 A = ALL ASSEMBLED WITH CONNECTOR

O-RING MATERIAL OPTIONS:  
 S = SILICONE, RED  
 E = EPDM, BLACK (STANDARD)

ORIENTATION OPTIONS:  
 BLANK = DOES NOT HAVE A FIXED ORIENTATION  
 F1 = MHF CONNECTION DOWN (L=50-200MM)  
 F2 = MHF CONNECTION UP (L=50-200MM)  
 (SEE NOTES 1, 2, 3 AND DIAGRAMS FOR MORE INFORMATION)



REV. DATE & DRN	11. 30/06/20 - NYW
10. 22/06/20 - NYW	RELEASE
9. 20/06/20 - NYW	REWORKING CODES
8. 18/06/20 - NYW	UPDATE P/N NUMBERING
7. 13/06/20 - NYW	ADD IPX9K TESTING INFO.
6. 14/06/20 - NYW	ADD IPX8 TESTING INFO.
5. 05/07/21 - NYW	AMEND NOTE 7.
4. 15/07/21 - NYW	ADD CABLE SIZE OPTION 2.
3. 16/06/23 - NYW	ADD CABLE SIZE OPTION 3.
2. 18/06/23 - NYW	ADD CABLE SIZE OPTION 1.
1. 19/07/24 - CC	ADD IP RATING VIEW



Scale: NTS	THIRD ANGLE	Unstated Tolerances:
Drawn: CC		X N/A
App'd: XXX	Title CABLE ASSEMBLY	.XX N/A
Date: 20 JAN. '24	Revision: 1.9	.XXX N/A
	Unit: mm	ANGLES N/A



IP Rated RF Products  
 www.gradconn.com  
 THIS DRAWING IS CONFIDENTIAL AND MUST NOT BE COPIED OR DISCLOSED WITHOUT WRITTEN CONSENT

Drawing Number:	
CAB412RF	
Sheet 1	of 1
Drawing	E and O E

## **Disclaimer**

ALL PRODUCTS, PRODUCT SPECIFICATIONS AND DATA ARE SUBJECT TO CHANGE WITHOUT NOTICE TO IMPROVE RELIABILITY, FUNCTION OR DESIGN OR OTHERWISE.

Texim Europe B.V. its affiliates, agents, and employees, and all persons acting on its or their behalf (collectively, "Texim"), disclaim any and all liability for any errors, inaccuracies or incompleteness contained in any datasheet or in any other disclosure relating to any product.

Texim makes no warranty, representation or guarantee regarding the suitability of the products for any particular purpose or the continuing production of any product.

It is the customer's responsibility to validate that a particular product with the properties described in the product specification is suitable for use in a particular application.

Parameters provided in datasheets and / or specifications may vary in different applications and performance may vary over time.

All operating parameters, including typical parameters, must be validated for each customer application by the customer's technical experts.

Please contact us if you have any questions about the contents of the datasheet.

This may not be the latest version of the datasheet. Please check with us if a later version is available.



## Headquarters & Warehouse

Elektrostraat 17  
 NL-7483 PG Haaksbergen  
 The Netherlands

T: +31 (0)53 573 33 33  
 E: info@texim-europe.com  
 Homepage: www.texim-europe.com



## The Netherlands

Elektrostraat 17  
 NL-7483 PG Haaksbergen

T: +31 (0)53 573 33 33  
 E: nl@texim-europe.com



## Belgium

Zuiderlaan 14, box 10  
 B-1731 Zellik

T: +32 (0)2 462 01 00  
 E: belgium@texim-europe.com



## UK & Ireland

St Mary's House, Church Lane  
 Carlton Le Moorland  
 Lincoln LN5 9HS

T: +44 (0)1522 789 555  
 E: uk@texim-europe.com



## Germany - North

Bahnhofstrasse 92  
 D-25451 Quickborn

T: +49 (0)4106 627 07-0  
 E: germany@texim-europe.com



## Germany - South

Martin-Kollar-Strasse 9  
 D-81829 München

T: +49 (0)89 436 086-0  
 E: muenchen@texim-europe.com



## Austria

Warwitzstrasse 9  
 A-5020 Salzburg

T: +43 (0)662 216 026  
 E: austria@texim-europe.com



## Nordic

Søndre Jagtvej 12  
 DK-2970 Hørsholm

T: +45 88 20 26 30  
 E: nordic@texim-europe.com



## Italy

Martin-Kollar-Strasse 9  
 D-81829 München

T: +49 (0)89 436 086-0  
 E: italy@texim-europe.com