

10EEJ1 ✓ ACTIVE

Corcom | Corcom EEJ

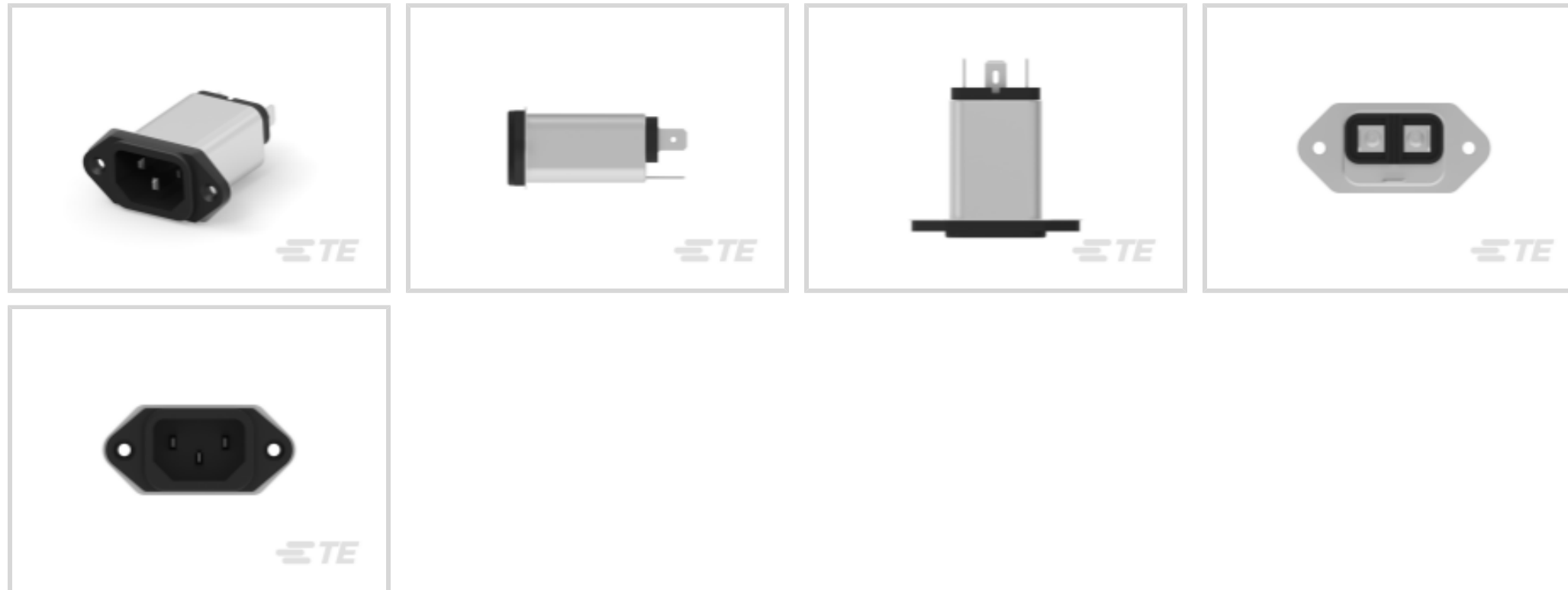
TE Internal #: 1-6609006-3

Multi-Function Inlet Filters, Power Line, Right Angle, 10A Current Rating, .250" FASTON Output, Operating Voltage 250 VAC, Filtered, Corcom EEJ

[View on TE.com >](#)



EMI & EMC Solutions > EMI Filters > Multi-Function Inlet Filters > IEC Filtered Inlets, Corcom EEJ Series



Filter Type: **Power Line**

Product Orientation: **Right Angle**

Leakage Current (Max) (120VAC, 60Hz): **220 μ A**

Leakage Current (Max) (250VAC, 50Hz): **380 μ A**

Current Rating: **10 A**

[All IEC Filtered Inlets, Corcom EEJ Series \(32\)](#)

Features

Product Type Features

Ground Choke Option	No
Filter Type	Power Line
Output Termination Type	.250" FASTON
Filtering Requirements	Filtered
Filter Connector Type	IEC 320/C-14

Electrical Characteristics

Leakage Current (Max) (120VAC, 60Hz)	220 μ A
Leakage Current (Max) (250VAC, 50Hz)	380 μ A
Current Rating	10 A
Operating Voltage	250 VAC

Body Features

Product Orientation	Right Angle
---------------------	-------------



Mechanical Attachment

Panel Mount Feature Type	Flanged
--------------------------	---------

Usage Conditions

Operating Temperature Range	-10 – 40 °C
-----------------------------	-------------

Product Compliance

[For compliance documentation, visit the product page on TE.com>](#)

EU RoHS Directive 2011/65/EU	Compliant
EU ELV Directive 2000/53/EC	Compliant
China RoHS 2 Directive MIIT Order No 32, 2016	No Restricted Materials Above Threshold
EU REACH Regulation (EC) No. 1907/2006	Current ECHA Candidate List: JUNE 2024 (241) Candidate List Declared Against: JAN 2024 (240) Does not contain REACH SVHC
Halogen Content	Not Low Halogen - contains Br or Cl > 900 ppm.
Solder Process Capability	Not applicable for solder process capability

Product Compliance Disclaimer

This information is provided based on reasonable inquiry of our suppliers and represents our current actual knowledge based on the information they provided. This information is subject to change. The part numbers that TE has identified as EU RoHS compliant have a maximum concentration of 0.1% by weight in homogenous materials for lead, hexavalent chromium, mercury, PBB, PBDE, DBP, BBP, DEHP, DIBP, and 0.01% for cadmium, or qualify for an exemption to these limits as defined in the Annexes of Directive 2011/65/EU (RoHS2). Finished electrical and electronic equipment products will be CE marked as required by Directive 2011/65/EU. Components may not be CE marked. Additionally, the part numbers that TE has identified as EU ELV compliant have a maximum concentration of 0.1% by weight in homogenous materials for lead, hexavalent chromium, and mercury, and 0.01% for cadmium, or qualify for an exemption to these limits as defined in the Annexes of Directive 2000/53/EC (ELV). Regarding the REACH Regulation, the information TE provides on SVHC in articles for this part number is based on the latest European Chemicals Agency (ECHA) 'Guidance on requirements for substances in articles' posted at this URL: <https://echa.europa.eu/guidance-documents/guidance-on-reach>

Also in the Series | Corcom EEJ

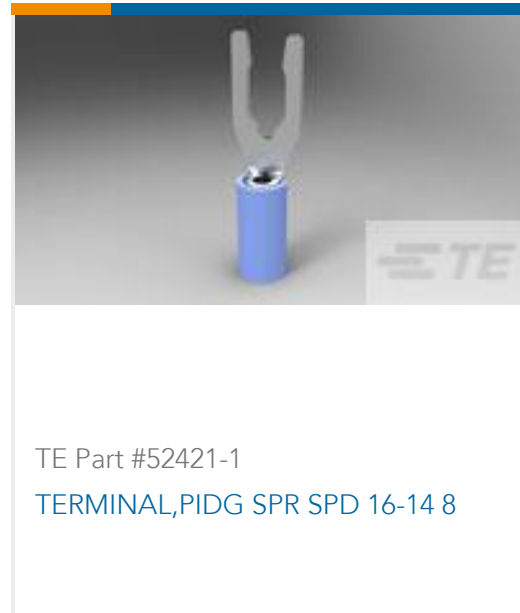


Multi-Function Inlet Filters(32)

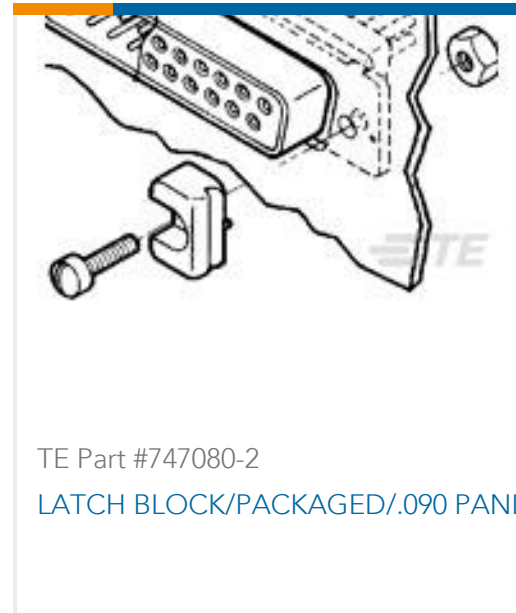
Customers Also Bought



TE Part #5-1775443-5
AMP HPI 1.5 mm Headers



TE Part #52421-1
TERMINAL,PIDG SPR SPD 16-14 8



TE Part #747080-2
LATCH BLOCK/PACKAGED/.090 PANL



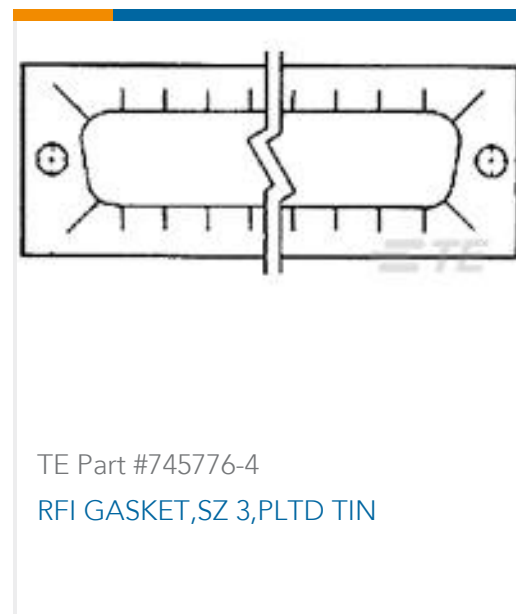
TE Part #500004-1
SPIRAP 1/4" FR PE, WHITE, 50FT



TE Part #1423674-2
W54-XB1A4A10-5=CKTBKR,THERM,PB



TE Part #2176243-1
CRGS0603 5% 1R0



TE Part #745776-4
RFI GASKET,SZ 3,PLTD TIN



TE Part #RJ45-ECS-4
RJ45,ECS,4in



TE Part #RJ45-ECS-6-NR
RJ45,ECS,6in, NO STRAIN RELIEF

Documents

Product Drawings

[10EEJ1=F8017 S0](#)

English

CAD Files

Customer View Model

[ENG_CVM_CVM_1-6609006-3_B1.3d_stp.zip](#)

English

Customer View Model

[ENG_CVM_CVM_1-6609006-3_B1.2d_dxf.zip](#)

English

3D PDF

3D

Customer View Model

[ENG_CVM_CVM_1-6609006-3_B1.3d_igs.zip](#)

English

By downloading the CAD file I accept and agree to the [Terms and Conditions](#) of use.



Datasheets & Catalog Pages

[1654001_CORCOM_PRODUCT_GUIDE](#)

English

[1654001_CORCOM_PRODUCT_GUIDE_EEJ_SERIES](#)

English

Corcom Combined Selector Charts

English

[1-1654250-1_CORCOM_EMI_RFI_QRG](#)

English