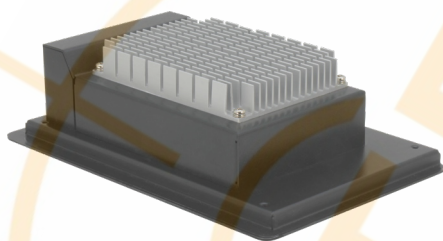
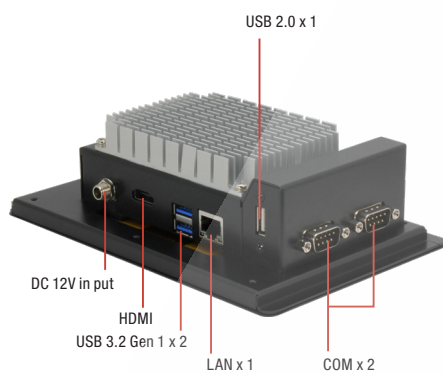


ACP-1075

7" WSVGA Open-frame Panel PC with PICO-APL3



Features

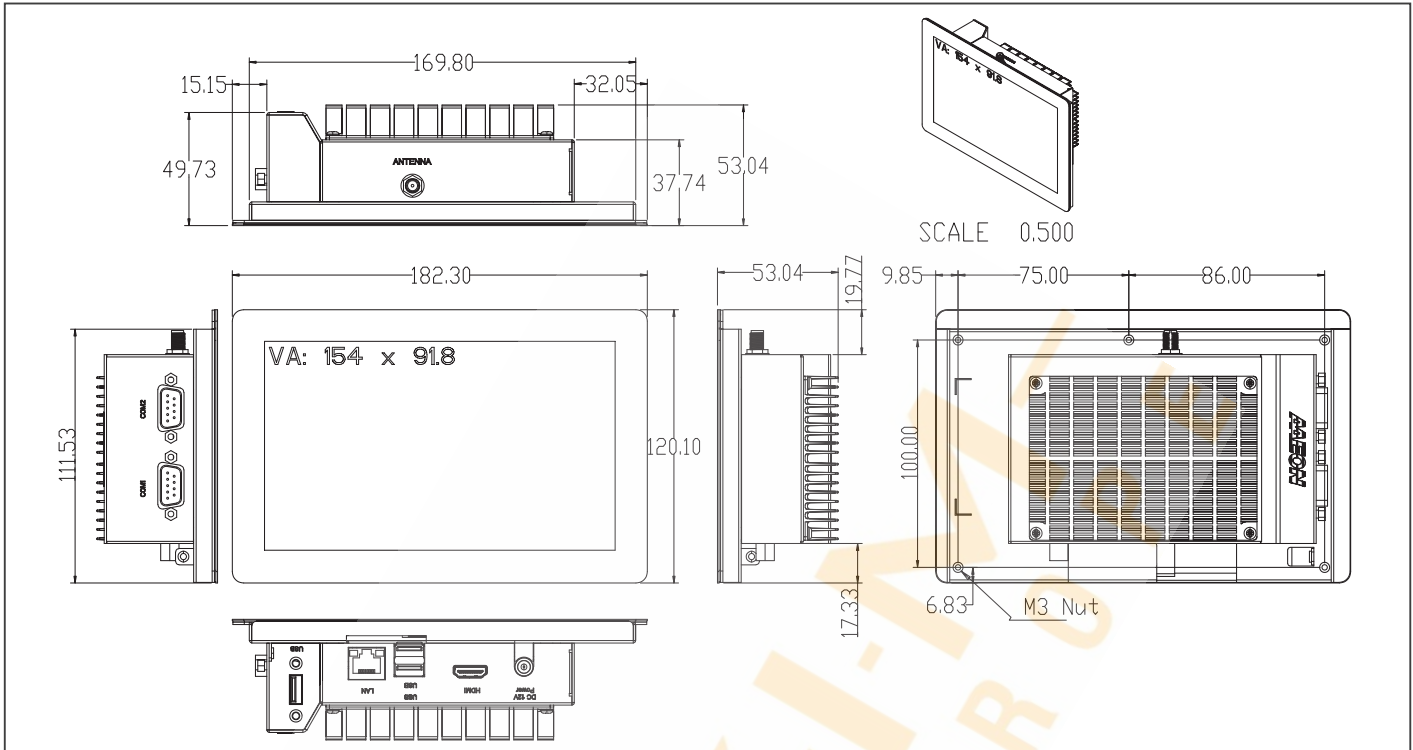
- 7" WSVGA (1024 x 600) Color TFT LCD Display
- PICO-APL3
- Projected Capacitive Touch Screen
- Fanless System
- Onboard DRAM 4GB (2GB Optional)
- Onboard eMMC 64GB (16GB/32GB Optional)
- LAN x 1, COM x 2, USB 3.2 Gen 1 (Type-A) x 2, USB 2.0 x 1
- HDMI x 1
- M.2 2280 B-Key x 2, M.2 2230 E-Key x 1
- DC 12V



System	
Processor	Intel® Pentium® Processor N4200 Intel® Celeron® Processor N3350
System Memory	LPDDR3L 2GB/4GB (Optional)
LCD/CRT controller	—
Ethernet	GbE x 1
I/O Port	LAN x 1 COM x 2 USB 3.2 Gen 1 x 2 USB 2.0 x 1 HDMI x 1
Storage Disk Drive	Onboard 64GB eMMC (Optional: 16GB/32GB)
Expansion Slot	M.2 2280 B-Key x 1, M.2 2230 E-Key x 1
OS support	Windows® 10 (64-bit)
Mechanical	
Construction	SECC
Mounting	—
Dimension	7.18" x 4.73" x 2.09" (182.3mm x 120.1mm x 53.04mm)
Carton Dimension	14.17" x 9.65" x 4.65" (360mm x 245mm x 118mm)
Gross Weight	1.9 lb. (0.88Kg)
Environmental	
Operating Temperature	32°F ~ 131°F (0°C ~ 55°C) with 0.5 m/s airflow
Storage Temperature	32°F ~ 149°F (0°C ~ 65°C)
Storage Humidity	90% @40°C; non-condensing
Vibration	1 Grms/ 5~ 500Hz/ operation –with HDD
Shock	15 G peak acceleration (11 msec. duration) –with HDD
EMC	CE/FCC Class A
Power Supply	
DC Input	DC 12V
LCD	
Display Type	7" WSVGA Color TFT LCD Display
Max Resolution	1024 x 600
Max. Colors	16.7M
Luminance	320 nits
Viewing Angle	145° (H) ; 150° (V)
Back Light	LED
Back Light MTBF (Hours)	20,000 Hrs
Touchscreen	
Type	Projected Capacitive Multi-Touch
Light Transmission	>=86%

Dimension

Unit: mm



Packing List

- **ACP-1075**
- **125530060Y**
60W Lockable Power Adapter
- **9651107510**
Panel Mount Kit
- **Screw Pack**

Optional Accessories

- **170X000799**
Power Cord (US Type)
- **170X000800**
Power Cord (European Type)
- **170X000803**
Power Cord (Japanese Type)

Ordering Information

Part Number	Display Type	Max Resolution	Luminance	View Angle	Backlight MTBF	CPU	LAN	USB 3.2 Gen 1	USB 2.0	RS-232	RS-232 /422/485	Storage	RAM	Display	Expansion	Mounting	Power	Temp.	Touch
ACP-1075HTT-A1-1010	7" TFT LCD	1024 x 600	320 cd/m ²	150°(H) / 145°(V)	20,000	Intel® Pentium N4200	1	2	1	2	—	64GB eMMC	onBoard 4GB	HDMI x1	M.2 2230 E Key / 2280 B Key x1	Panel Mount	DC 12V	0o-40oC	Projected Capacitive Touch
ACP-1075HTT-A3-1010	7" TFT LCD	1024 x 600	320 cd/m ²	150°(H) / 145°(V)	20,000	Intel® Celeron N3350	1	2	1	2	—	64GB eMMC	onBoard 4GB	HDMI x1	M.2 2230 E Key / 2280 B Key x1	Panel Mount	DC 12V	0o-40oC	Projected Capacitive Touch



Disclaimer

ALL PRODUCTS, PRODUCT SPECIFICATIONS AND DATA ARE SUBJECT TO CHANGE WITHOUT NOTICE TO IMPROVE RELIABILITY, FUNCTION OR DESIGN OR OTHERWISE.

Texim Europe B.V. its affiliates, agents, and employees, and all persons acting on its or their behalf (collectively, "Texim"), disclaim any and all liability for any errors, inaccuracies or incompleteness contained in any datasheet or in any other disclosure relating to any product.

Texim makes no warranty, representation or guarantee regarding the suitability of the products for any particular purpose or the continuing production of any product.

It is the customer's responsibility to validate that a particular product with the properties described in the product specification is suitable for use in a particular application.

Parameters provided in datasheets and / or specifications may vary in different applications and performance may vary over time.

All operating parameters, including typical parameters, must be validated for each customer application by the customer's technical experts.

Please contact us if you have any questions about the contents of the datasheet.

This may not be the latest version of the datasheet. Please check with us if a later version is available.





Headquarters & Warehouse

Elektrostraat 17
NL-7483 PG Haaksbergen
The Netherlands

T: +31 (0)53 573 33 33
E: info@texim-europe.com
Homepage: www.texim-europe.com



The Netherlands

Elektrostraat 17
NL-7483 PG Haaksbergen

T: +31 (0)53 573 33 33
E: nl@texim-europe.com



Belgium

Zuiderlaan 14, box 10
B-1731 Zellik

T: +32 (0)2 462 01 00
E: belgium@texim-europe.com



UK & Ireland

St Mary's House, Church Lane
Carlton Le Moorland
Lincoln LN5 9HS

T: +44 (0)1522 789 555
E: uk@texim-europe.com



Germany - North

Bahnhofstrasse 92
D-25451 Quickborn

T: +49 (0)4106 627 07-0
E: germany@texim-europe.com



Germany - South

Martin-Kollar-Strasse 9
D-81829 München

T: +49 (0)89 436 086-0
E: muenchen@texim-europe.com



Austria

Warwitzstrasse 9
A-5020 Salzburg

T: +43 (0)662 216 026
E: austria@texim-europe.com



Nordic

Søndre Jagtvej 12
DK-2970 Hørsholm

T: +45 88 20 26 30
E: nordic@texim-europe.com



Italy

Martin-Kollar-Strasse 9
D-81829 München

T: +49 (0)89 436 086-0
E: italy@texim-europe.com