

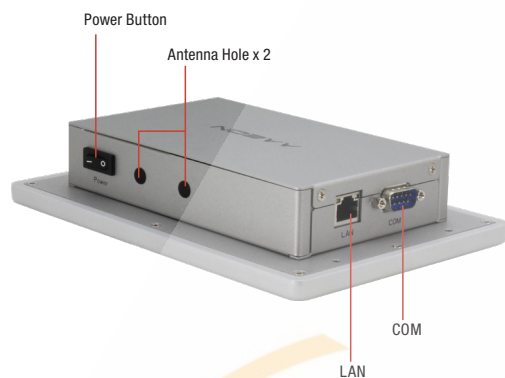
# ACP-1078

7" WSVGA Android Based Panel PC with Rockchip™ RK3568

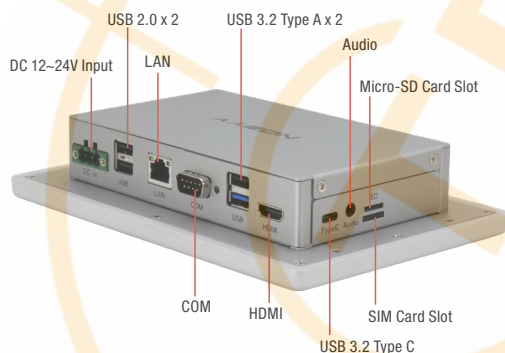
Front View



Top View



Bottom View



## Features

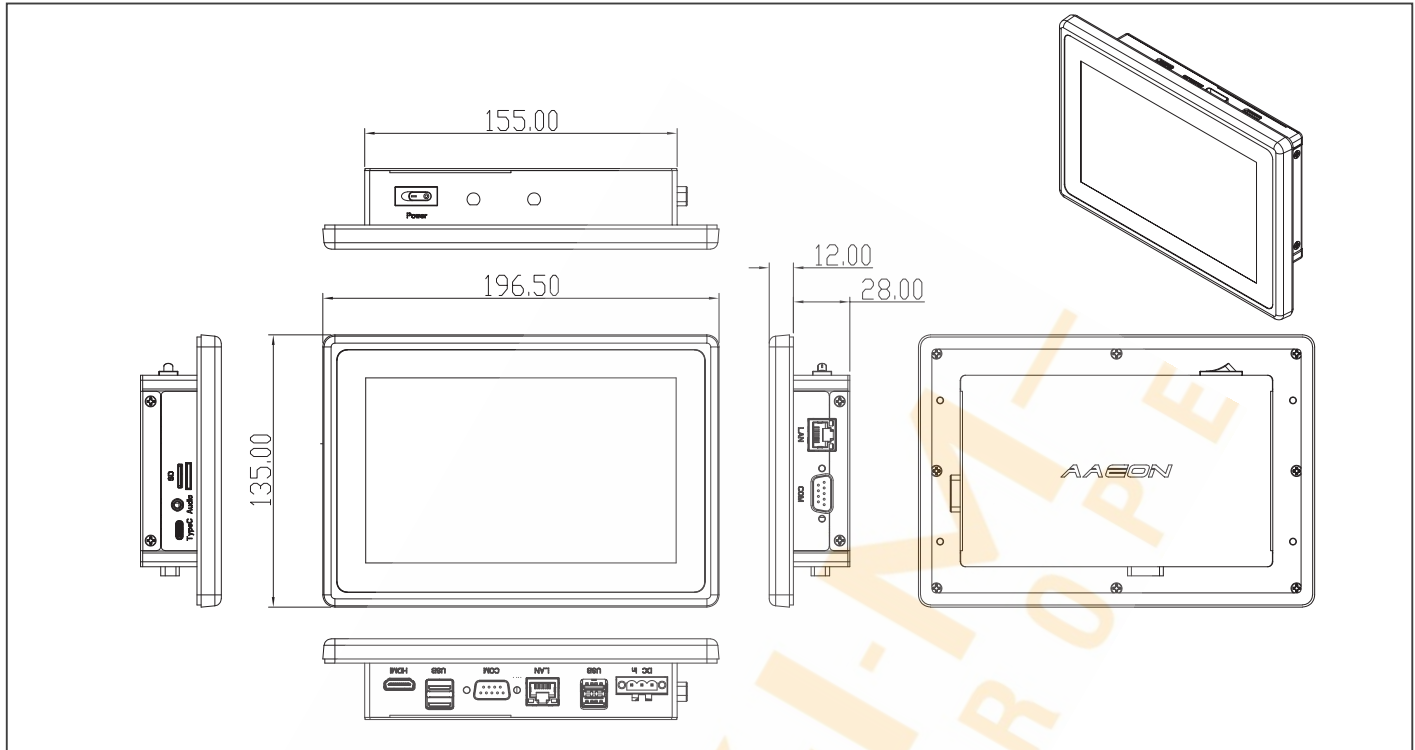
- 7" WSVGA (1024 x 600) Color TFT LCD Display
- RICO-3568
- Projected Capacitive Touch Screen
- IP65 Compliant Aluminum Front Bezel
- Fanless System
- VESA/Panel Mount Support
- LAN x 2, COM x 2, USB 3.2 Gen1 (Type A) x 2, USB 2.0 x 2
- USB 3.2 Gen1 (Type C) x 1
- HDMI x 1, Audio x 1
- Full-size mini-PCIe Slot x 1
- DC 12~24V



System	
Processor	Rockchip™ RK3568 Quad-Core Arm® Cortex®-A55 Processor
System Memory	LPDDR4 2GB/4GB (Optional)
LCD/CRT controller	—
Ethernet	10/100/1000 Base TX x2
I/O Port	LAN x 2 COM x 2 USB 3.2 Gen 1 (Type C OTG) x 1 (For System Recovery) USB 3.2 Gen 1 x 2 USB 2.0 x 2 HDMI x 1 Audio x 1
Storage Disk Drive	16GB eMMC and Micro-SD card
Expansion Slot	Full-size mini-PCIe slot x 1 (PCIe 3.0 [x1] or mSATA)
OS support	Android™ 12 / Debian
Mechanical	
Construction	Aluminum Front Bezel + Metal Chassis
Mounting	VESA / Panel Mount
Dimension	7.7" x 5.3" x 1.5" (196.5mm x 135mm x 40mm)
Carton Dimension	11.0" x 8.7" x 6.1" (280mm x 220mm x 154mm)
Gross Weight	2.2 lb. (1.0Kg)
Environmental	
Operating Temperature	23°F ~131°F (-5°C ~ 50°C) with 0.5 m/s airflow
Storage Temperature	-4°F ~ 140°F (-20°C ~ 60°C)
Storage Humidity	90% @40°C; non-condensing
Vibration	1Grms / 5~ 500Hz / operation
Shock	15 G peak acceleration (11 msec. duration)
EMC	CE/FCC Class A Compatible
Power Supply	
DC Input	DC 12~24V
LCD	
Display Type	7" WSVGA (1024 x 600) Color TFT LCD Display
Max Resolution	1024 x 600
Max. Colors	16.7M
Luminance	320 nits
Viewing Angle	145° (H) ; 150° (V)
Back Light	LED
Back Light MTBF (Hours)	20,000 Hrs
Touchscreen	
Type	Projected Capacitive Multi-Touch
Light Transmission	90%

## Dimension

Unit: mm



## Packing List

- ACP-1078
- Panel Mount /Vesa Mount Kit
- Screw Pack

## Optional Accessories

Part Number	Description
1255900603	Power Adapter
170X000799	Power Cord (US Type)
170X000800	Power Cord (European Type)
170X000803	Power Cord (Japanese Type)
M041073020	Stand Kit

## Ordering Information

Part Number	Display Type	Resolution	Luminance	View Angle	Backlight MTBF	CPU	LAN	USB	RS-232	RS-232/422/485	Storage	RAM	Display	Expansion	Mounting	Power	Temp	Touch
ACP-1078HTT-A1-1010	7" TFT LCD	1024 x 600	320 cd/m <sup>2</sup>	150°(H) / 145°(V)	20,000	RICO-3568	2	4	1	1	32GB eMMC	LPDDR4 2GB	HDMI x1	Full Size MiniCard x1	VESA / Panel Mount	DC 12~24V	-5°C~50°C	Projected Capacitive Touch
ACP-1078HTT-A2-1010	7" TFT LCD	1024 x 600	320 cd/m <sup>2</sup>	150°(H) / 145°(V)	20,000	RICO-3568	2	4	1	1	32GB eMMC	LPDDR4 4GB	HDMI x1	Full Size MiniCard x1	VESA / Panel Mount	DC 12~24V	-5°C~50°C	Projected Capacitive Touch
ACP-1078HTT-A3-1010	7" TFT LCD	1024 x 600	320 cd/m <sup>2</sup>	150°(H) / 145°(V)	20,000	RICO-3568	2	4	1	1	32GB eMMC	LPDDR4 8GB	HDMI x1	Full Size MiniCard x1	VESA / Panel Mount	DC 12~24V	-5°C~50°C	Projected Capacitive Touch



## **Disclaimer**

ALL PRODUCTS, PRODUCT SPECIFICATIONS AND DATA ARE SUBJECT TO CHANGE WITHOUT NOTICE TO IMPROVE RELIABILITY, FUNCTION OR DESIGN OR OTHERWISE.

Texim Europe B.V. its affiliates, agents, and employees, and all persons acting on its or their behalf (collectively, "Texim"), disclaim any and all liability for any errors, inaccuracies or incompleteness contained in any datasheet or in any other disclosure relating to any product.

Texim makes no warranty, representation or guarantee regarding the suitability of the products for any particular purpose or the continuing production of any product.

It is the customer's responsibility to validate that a particular product with the properties described in the product specification is suitable for use in a particular application.

Parameters provided in datasheets and / or specifications may vary in different applications and performance may vary over time.

All operating parameters, including typical parameters, must be validated for each customer application by the customer's technical experts.

Please contact us if you have any questions about the contents of the datasheet.

This may not be the latest version of the datasheet. Please check with us if a later version is available.





## Headquarters & Warehouse

Elektrostraat 17  
NL-7483 PG Haaksbergen  
The Netherlands

T: +31 (0)53 573 33 33  
E: info@texim-europe.com  
Homepage: www.texim-europe.com



### The Netherlands

Elektrostraat 17  
NL-7483 PG Haaksbergen

T: +31 (0)53 573 33 33  
E: nl@texim-europe.com



### Belgium

Zuiderlaan 14, box 10  
B-1731 Zellik

T: +32 (0)2 462 01 00  
E: belgium@texim-europe.com



### UK & Ireland

St Mary's House, Church Lane  
Carlton Le Moorland  
Lincoln LN5 9HS

T: +44 (0)1522 789 555  
E: uk@texim-europe.com



### Germany - North

Bahnhofstrasse 92  
D-25451 Quickborn

T: +49 (0)4106 627 07-0  
E: germany@texim-europe.com



### Germany - South

Martin-Kollar-Strasse 9  
D-81829 München

T: +49 (0)89 436 086-0  
E: muenchen@texim-europe.com



### Austria

Warwitzstrasse 9  
A-5020 Salzburg

T: +43 (0)662 216 026  
E: austria@texim-europe.com



### Nordic

Søndre Jagtvej 12  
DK-2970 Hørsholm

T: +45 88 20 26 30  
E: nordic@texim-europe.com



### Italy

Martin-Kollar-Strasse 9  
D-81829 München

T: +49 (0)89 436 086-0  
E: italy@texim-europe.com