

CABLE 041 RF: RF CABLE ASSEMBLY, I-PEX MHF + FME MALE BULKHEAD + MULTIPLE CABLE SIZES - 3GHz

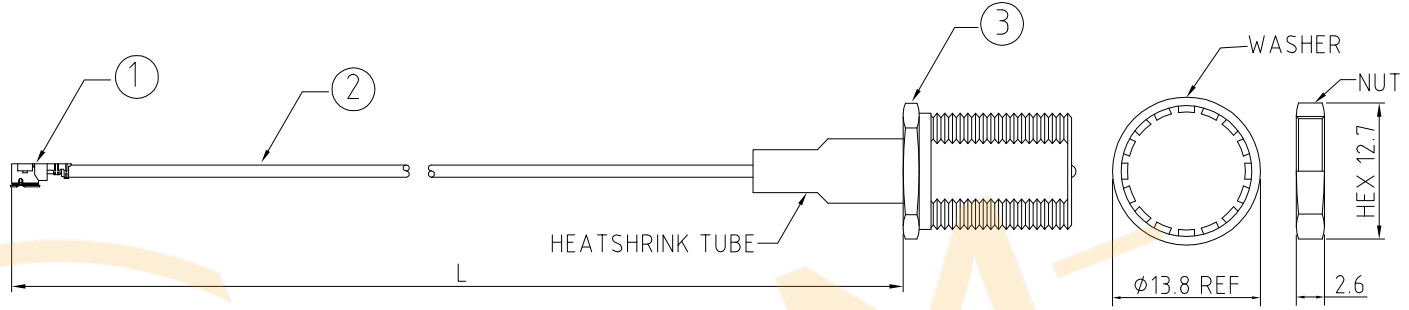
SPECIFICATIONS

1. I-PEX MHF PLUG , GOLD(ALTERNATIVE TO HIROSE U.FL)  
FOR  $\phi 1.13\text{MM}$  CABLE: 20278-112R-13  
FOR  $\phi 1.32\text{MM}$  CABLE: 20278-112R-32  
FOR  $\phi 1.37\text{MM}$  CABLE: 20351-112R-37  $\triangle$
2. COAXIAL CABLE (SEE P/N FOR DETAIL)
3. FME BULKHEAD PLUG (C29CBWS178001), NICKEL

**USAGE PRECAUTIONS: CABLES USING 'MICRO' COAX ARE DELICATE:**  
 (i) HANDLE WITH CARE.  
 (ii) DO NOT TWIST; APPLY EXCESSIVE FORCES OR SHARP BENDS TO THE CABLE. DO NOT FORCEFULLY DEFORM WIRES.  
 (iii) CONSULT CONNECTOR MANUFACTURER'S DATASHEETS FOR DETAILED NOTES ON HANDLING INSTRUCTIONS.

NOTES:

1. THE ORIENTATION OF CONNECTORS ON DRAWING IS FOR REFERENCE ONLY, IF THE ORDER IS LEFT BLANK THE CONNECTOR WILL NOT HAVE FIXED ORIENTATION.
2. FIXED ORIENTATION IS SUGGESTED FOR CABLE LENGTH 25MM TO 100MM. PLEASE SPECIFY THE FIXED ORIENTATIONS FROM THE ORDER CODE (F1, F2, ETC)
3. CONTACT GRAD CONN IF THE ORIENTATION YOU REQUIRE IS NOT SHOWN.
4. ELECTRICAL WORKING FREQUENCY RANGE: DC-3GHz  $\triangle$
5. OPERATING TEMPERATURE: -40 TO +85°C.
6. IMPEDANCE: 50 OHM



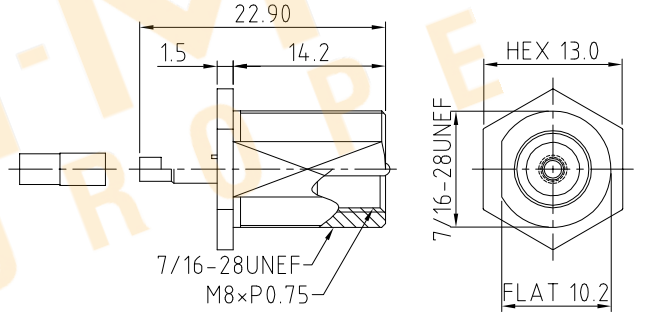
HOW TO ORDER  
 CABLE 041 RF - X X X - X X - X - X

"L" LENGTH IN MM  
 eg: 100mm = 0100  
 (MIN. 025-MAX.400)  
 STANDARD = 100, 150, 200  
 Tolerance: <50mm :  $\pm 2\text{mm}$ .  
 51-200mm:  $\pm 5\text{mm}$ .  
 201-400mm:  $\pm 7\text{mm}$ .

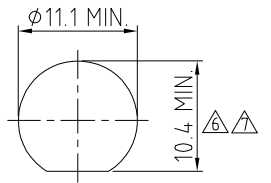
WASHER AND NUT OPTIONS:  
 BLANK = SEPERATELY PACKED (STANDARD)  
 A = ASSEMBLED WITH CONNECTOR

$\triangle$  CABLE SIZE OPTIONS:  
 BLANK =  $\phi 1.13\text{MM}$  CABLE, COLOR: GRAY  
 1 =  $\phi 1.32\text{MM}$  CABLE, COLOR: GRAY  
 2 =  $\phi 1.37\text{MM}$  CABLE, COLOR: BLACK

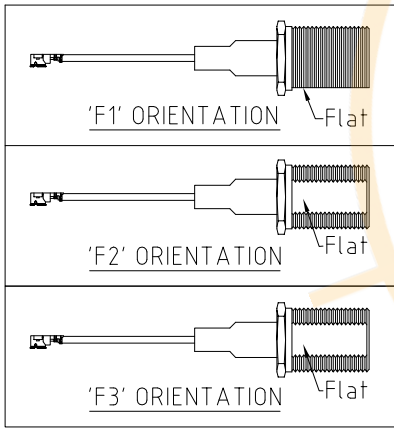
$\triangle$  ORIENTATION OPTIONS:  
 BLANK = DOES NOT HAVE A FIXED ORIENTATION  
 F1 = MHF CONNECTION & FME FLAT DOWN  
 F2 = MHF CONNECTION DOWN  
 F3 = MHF CONNECTION UP  
 (SEE NOTES 1, 2, 3 AND DIAGRAMS FOR MORE INFORMATION)



FME PLUG DETAIL DIMENSION



RECOMMENDED FME MOUNTING HOLE



REV. DATE & DRN	10 18/04/08 - NYW RELEASE
11 28/11/08 - NYW CHANGE IPEX P/N TO 20278-112R-13 (HALOGEN FREE)	
12 05/12/08 - NYW ADD WASHER AND NUT OPTIONS	
13 18/08/09-PCY ADD WORKING FREQUENCY RANGE	
14 28/09/12 - NYW ADD ORIENTATION & CABLE SIZES OPTIONS.	
15 31/08/16 - R/H AMENDED I-PEX PN FOR $\phi 1.31$ CABLE	
16 07/09/16 - AJO CORRECTED MOUNTING HOLE DIMENSION	
17 05/07/23 - NYW CORRECTED MOUNTING HOLE DIMENSION. ADD NOTES 5 & 6.	

Distributed by:  
  
 www.texim-europe.com

Scale: NTS	THIRD ANGLE	Unstated .X .XX .XXX ANGLES	Tolerances: N/A N/A N/A N/A	Material SEE NOTE
Drawn: NYW				
App'd: XXX	Title: CABLE ASSEMBLY			NOT TO SCALE
Date: 5 JUL '23	Revision: 1.7			Unit: mm

www.gradconn.com

Type: Cable 041 RF
CABLE 041 RF
Drawing Number:
Sheet 1 of 1
Drawing © E and O E

THIS DRAWING IS CONFIDENTIAL AND MUST NOT BE COPIED OR DISCLOSED WITHOUT WRITTEN CONSENT

## **Disclaimer**

ALL PRODUCTS, PRODUCT SPECIFICATIONS AND DATA ARE SUBJECT TO CHANGE WITHOUT NOTICE TO IMPROVE RELIABILITY, FUNCTION OR DESIGN OR OTHERWISE.

Texim Europe B.V. its affiliates, agents, and employees, and all persons acting on its or their behalf (collectively, "Texim"), disclaim any and all liability for any errors, inaccuracies or incompleteness contained in any datasheet or in any other disclosure relating to any product.

Texim makes no warranty, representation or guarantee regarding the suitability of the products for any particular purpose or the continuing production of any product.

It is the customer's responsibility to validate that a particular product with the properties described in the product specification is suitable for use in a particular application.

Parameters provided in datasheets and / or specifications may vary in different applications and performance may vary over time.

All operating parameters, including typical parameters, must be validated for each customer application by the customer's technical experts.

Please contact us if you have any questions about the contents of the datasheet.

This may not be the latest version of the datasheet. Please check with us if a later version is available.



## Headquarters & Warehouse

Elektrostraat 17  
 NL-7483 PG Haaksbergen  
 The Netherlands

T: +31 (0)53 573 33 33  
 E: info@texim-europe.com  
 Homepage: www.texim-europe.com



## The Netherlands

Elektrostraat 17  
 NL-7483 PG Haaksbergen

T: +31 (0)53 573 33 33  
 E: nl@texim-europe.com



## Belgium

Zuiderlaan 14, box 10  
 B-1731 Zellik

T: +32 (0)2 462 01 00  
 E: belgium@texim-europe.com



## UK & Ireland

St Mary's House, Church Lane  
 Carlton Le Moorland  
 Lincoln LN5 9HS

T: +44 (0)1522 789 555  
 E: uk@texim-europe.com



## Germany - North

Bahnhofstrasse 92  
 D-25451 Quickborn

T: +49 (0)4106 627 07-0  
 E: germany@texim-europe.com



## Germany - South

Martin-Kollar-Strasse 9  
 D-81829 München

T: +49 (0)89 436 086-0  
 E: muenchen@texim-europe.com



## Austria

Warwitzstrasse 9  
 A-5020 Salzburg

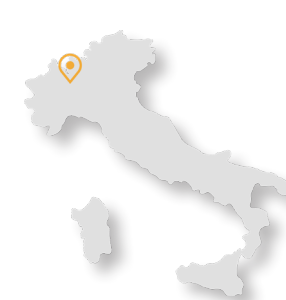
T: +43 (0)662 216 026  
 E: austria@texim-europe.com



## Nordic

Søndre Jagtvej 12  
 DK-2970 Hørsholm

T: +45 88 20 26 30  
 E: nordic@texim-europe.com



## Italy

Martin-Kollar-Strasse 9  
 D-81829 München

T: +49 (0)89 436 086-0  
 E: italy@texim-europe.com