




TFT Module Specification

MODEL: UC-070XIEB0GW1-S

< ◆ > PRELIMINARY SPECIFICATION

< ◇ > APPROVAL SPECIFICATION

CUSTOMER
APPROVED BY
DATE:

DESIGNED	CHECKED	APPROVED
		





RECORD OF REVISION

Version	Revised Date	Page	Content
V1.0	2024/02/22	--	PRELIMINARY SPEC.





TABLE OF CONTENTS

No.	Content	Page
	TFT Module Specification	1
	TABLE OF CONTENTS	3
1.	GENERAL DESCRIPTION.....	4
2.	MECHANICAL SPECIFICATION	5
3.	PIN DESCRIPTION	6
4.	ABSOLUTE MAXIMUM RATINGS	7
5.	BLOCK DIAGRAM.....	8
6.	ELECTRICAL CHARACTERISTICS.....	9
7.	OPTICAL CHARACTERISTICS	10
8.	RELIABILITY	13
9.	PRECAUTION RELATING PRODUCT HANDLING.....	18



1. GENERAL DESCRIPTION

1.1 Description

The specification is model UC-070XIEB0GW1-S is a color active matrix thin film transistor (TFT) liquid crystal display (LCD) that uses amorphous silicon TFT as a switching device. This model is composed of a TFT LCD panel, a driving circuit, a backlight system. This TFT LCD has a 7.0 (16:9) inch diagonally measured active display area with WSVGA (1024 horizontal by 600 vertical pixels) resolution.

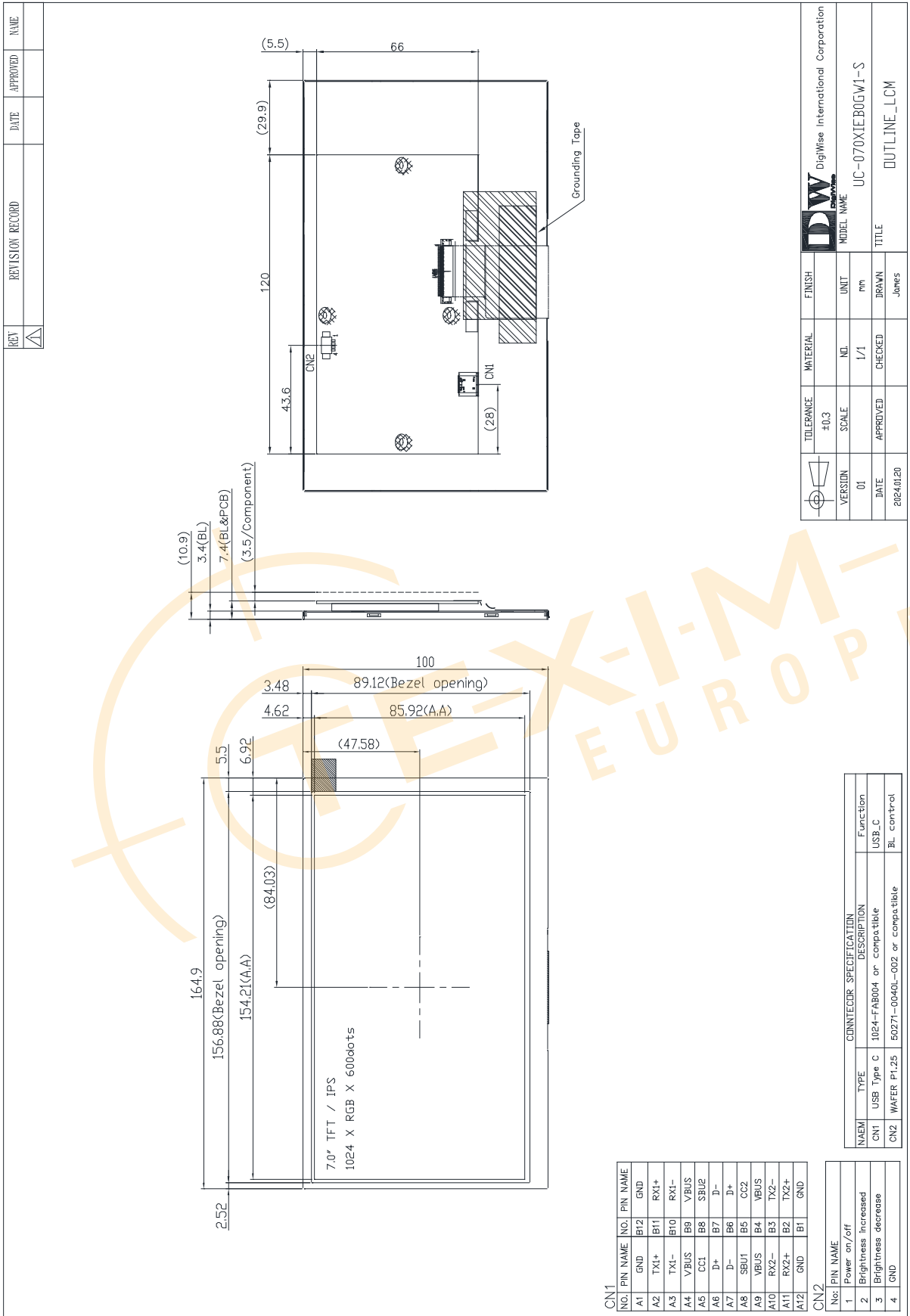
- ◆ Supports VESA DisplayPort Alt. Mode 1.0a
- ◆ DisplayPort 1.3
- ◆ Build-in OSD function.

1.2 Features:

No.	Item	Specification	Unit
1	Panel Size	7.0"	Inch
2	Number of Pixels	1024 (W) x RGB x 600 (H)	Pixels
3	Active Area	154.21 (W) × 85.92 (H)	mm
4	Pixel Pitch	0.1506 (W) x 0.1432 (H)	mm
5	Outline Dimension	164.9 (W) × 100 (H) × 10.9 (T)	mm
6	Number of Colors	16.7M	- -
7	Display Mode	IPS / Normally Black / Transmissive	- -
8	Viewing Direction	Free direction	- -
9	Display Format	RGB vertical stripe	- -
10	Surface Treatment	Anti-Glare (3H)	- -
11	Contrast Ratio	600 (Typ.)	- -
12	Luminance (cd/m ²)	700 (Typ.)	cd/m ²
13	Interface	TYPE-C (5V/3A)	- -
14	Backlight	White LED	- -
15	Operation Temperature	0 ~ 70	°C
16	Storage Temperature	-30 ~ 80	°C
17	Weight	TBD	g



2. MECHANICAL SPECIFICATION



REV	REVISION RECORD	DATE	APPROVED	NAME

TOLERANCE	MATERIAL	FINISH	DigiWise International Corporation	
±0.3			MODEL NAME	UC-070XIEB0GW1-S
SCALE	NO.	UNIT	CHECKED	TITLE
1/1	1/1	mm	BRAWN	OUTLINE_LCM
APPROVED	DATE	2024.01.20	Jones	

NO.	PIN NAME	NO.	PIN NAME
A1	GND	B12	GND
A2	TX1+	B11	RX1+
A3	TX1-	B10	RX1-
A4	VBUS	B9	VBUS
A5	CC1	B8	SB02
A6	D+	B7	D-
A7	D-	B6	D+
A8	SB01	B5	CC2
A9	VBUS	B4	VBUS
A10	RX2-	B3	TX2-
A11	RX2+	B2	TX2+
A12	GND	B1	GND

NO.	PIN NAME	DESCRIPTION
1	Power on/off	
2	Brightness increased	
3	Brightness decrease	
4	GND	

NAEM	TYPE	CONNECTOR SPECIFICATION	FUNCTION
CN1	USB Type C	1024-FAB004 or compatible	USB_C
CN2	WAFER P1.25	50271-0640L-002 or compatible	BL control

3. PIN DESCRIPTION

3.1 TYPE-C CN1(Connector Part No: 1024-FAB004 or compatible)

Pin No.	Symbol	I/O	Function	Note
A1	GND	P	Ground	
A2	TX1+	I/O	High speed data path TX for DP Alt Mode.	
A3	TX1-	I/O		
A4	VBUS	P	Cable bus power +5V only.	
A5	CC1	I/O	Type-C Port Configuration Channel	
A6	D+	I/O	USB 2.0 Interface.	
A7	D-	I/O		
A8	SBU1	I/O	USB Type-C Sideband Use 1	
A9	VBUS	P	Cable bus power +5V only.	
A10	RX2-	I/O	High speed data path RX for DP Alt Mode.	
A11	RX2+	I/O		
A12	GND	P	Ground	
B1	GND	P	Ground	
B2	TX2+	I/O	High speed data path TX for DP Alt Mode.	
B3	TX2-	I/O		
B4	VBUS	P	Cable bus power +5V only.	
B5	CC2	I/O	Type-C Port Configuration Channel	
B6	D+	I/O	USB 2.0 Interface.	
B7	D-	I/O		
B8	SBU2	I/O	USB Type-C Sideband Use 2	
B9	VBUS	P	Cable bus power +5V only.	
B10	RX1-	I/O	High speed data path RX for DP Alt Mode.	
B11	RX1+	I/O		
B12	GND	P	Ground	

3.2 key Pad CN2 (50271-0040L-002 or compatible)

Pin	Symbol	I/O	Function	Note
1	Power on/off	I	Power On/Off control.	
2	Brightness increased	I	Brightness Increase.	
3	Brightness decrease	I	Brightness decrease.	
4	GND	P	Ground	



4. ABSOLUTE MAXIMUM RATINGS

4.1 Electrical Absolute Rating

4.1.1 TFT LCD Module

Item	Symbol	Values		Unit	Note
		Min	Max.		
Power supply voltage	VBUS	-0.3	6	V	

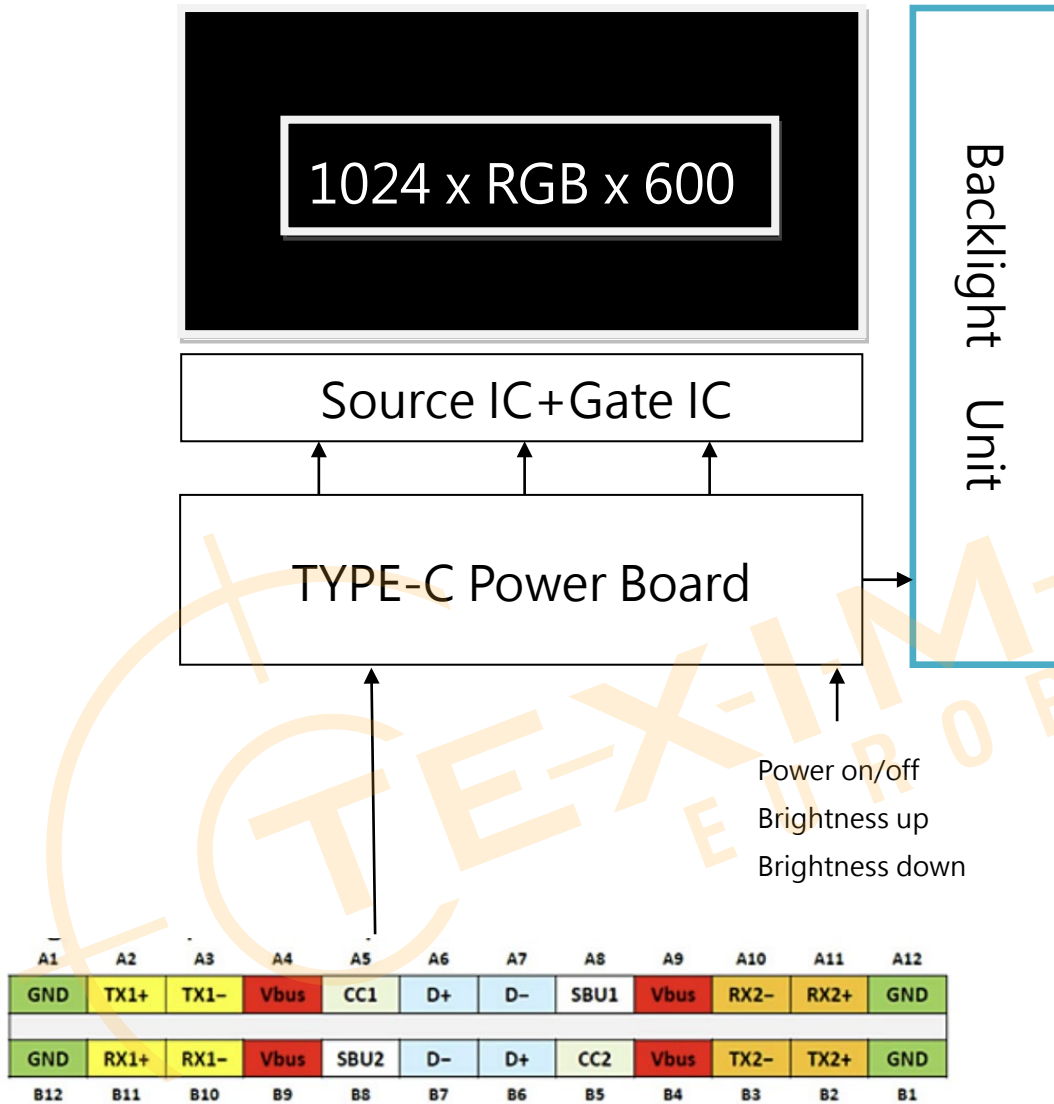
4.1.2 Environment Absolute Rating

Item	Symbol	Values			Unit	Note
		Min	Typ	Max.		
Operating Temperature	Topa	0		70	°C	Ambient temperature
Storage Temperature	Tstg	-30		80	°C	



5. BLOCK DIAGRAM

5.1 TFT LCD Module



6. ELECTRICAL CHARACTERISTICS

6.1 TFT LCD Module

Item	Symbol	Values			Unit	Note
		Min.	Typ.	Max.		
Supply Voltage	V _{BUS}	-	5.0	5.5	V	
required current	I _{BUS}	-	650	720	mA	(1)
LED life time	-	-	50000	-	Hr	(2)

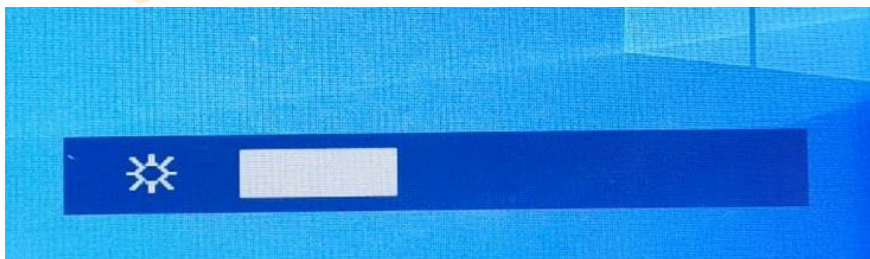
Note 1: condition: projected capacitive touch panel active, and under brightness 100%

Note 2: The “LED life time” is defined as the module brightness decrease to 50% original brightness that the ambient temperature is 25°C 60% RH.

6.2 OSD Function

Built-in OSD function, connected to the external key pad to CN2, can control the screen switch On/Off and backlight brightness control.

The adjusted brightness level will be automatically memorized.

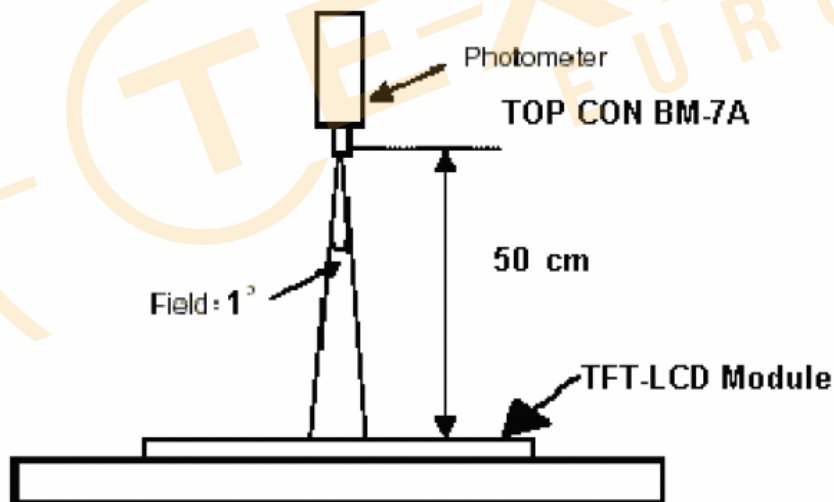


7. OPTICAL CHARACTERISTICS

Item	Symbol	Condition	Min.	Typ.	Max.	Unit
Brightness	--	Note1, Note 3, ($\theta = 0^\circ$; Normal Viewing Angle)	560	700	--	cd/m ²
Uniformity	B-uni		70	75	-	%
Contrast Ratio	CR		400	600	--	--
Response Time	Tr		--	4	8	ms
	Tf	--	12	24	ms	
Color Chromaticity	White	Wx	0.260	0.310	0.360	--
		Wy	0.280	0.330	0.380	--
View angle	Horizontal	θ_{x+}	80	85	--	
		θ_{x-}	80	85	--	
	Vertical	θ_{Y+}	80	85	--	
		θ_{Y-}	80	85	--	

Note : The following optical specifications shall be measured in a darkroom or equivalent state (ambient luminance ≤ 1 lux, and at room temperature). The operation temperature is $25^\circ\text{C} \pm 2^\circ\text{C}$. The measurement method is shown in Note1.

Note 1: The method of optical measurement:

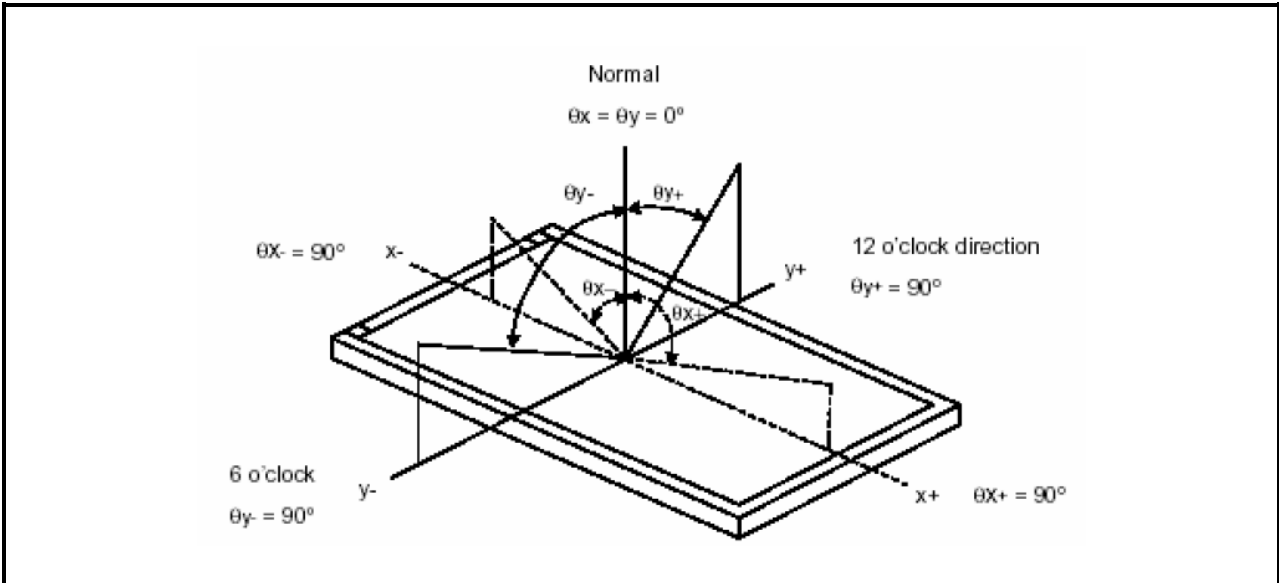


Note 2: Measured at the center area of the panel and at the viewing angle of the $\theta_x = \theta_y = 0^\circ$

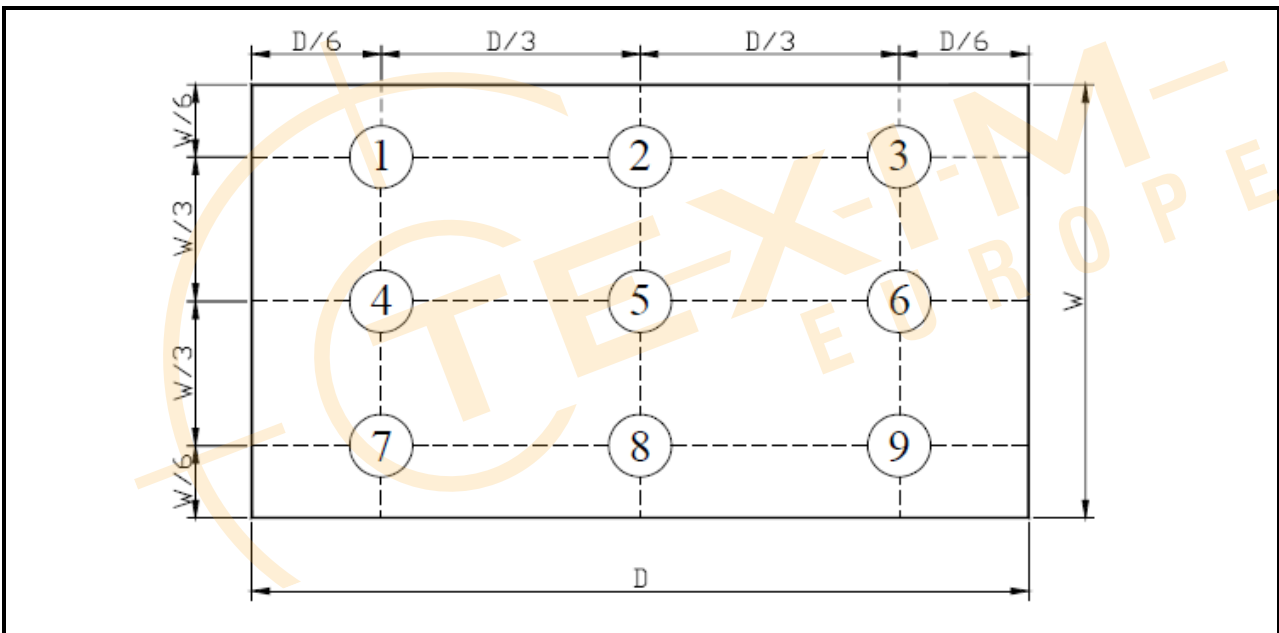
Note 3: Definition of Contrast Ratio (CR):

CR = Luminance with all pixels in white state \div Luminance with all pixels in Black state

Note 4: Definition of Viewing Angle:



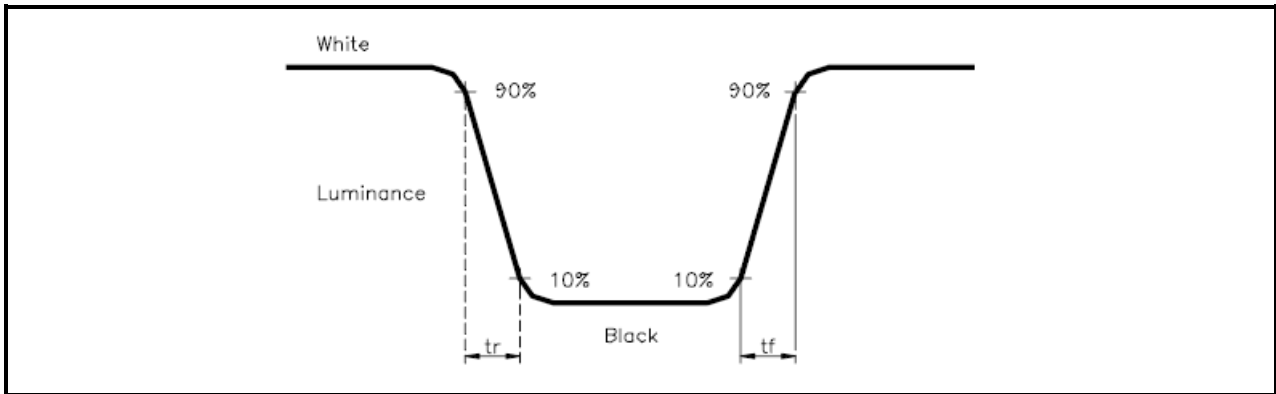
Note 5: Definition of Brightness Uniformity (B-uni):



$B\text{-uni} = (\text{Minimum luminance of 9 points} \div \text{Maximum luminance of 9 points}) \times 100\%$

Note 6: Definition of Response Time:

The Response Time is set initially by defining the “Rising Time (T_r)” and the “Falling Time (T_f)” respectively. T_r and T_f are defined as following figure



Note 7: Definition of Chromaticity:

The color coordinates (W_x, W_y), (R_x, R_y), (G_x, G_y), and (B_x, B_y) are obtained with all pixels in the viewing field at white, red, green, and blue states, respectively.





8. RELIABILITY

8.1 Test Condition

8.1.1 Temperature and Humidity(Ambient Temperature)

Temperature : 25 ± 5°C

Humidity : 65 ± 5%

8.1.2 Operation

Unless specified otherwise, test will be conducted under function state.

8.1.3 Container

Unless specified otherwise, vibration test will be conducted to the product itself without putting it in a container.

8.1.4 Test Frequency

In case of related to deterioration such as shock test. It will be conducted only once.

8.2 TESTS

No.	ITEM	CONDITION CRITERION
1	High Temperature Storage	80°C, 120 hrs
2	Low Temperature Storage	-30°C, 120 hrs
3	High Temperature Operating	70°C, 120 hrs
4	Low Temperature Operating	0°C, 120 hrs
5	High Temperature/Humidity Non-Operating	50°C, 90%RH, 120 hrs
6	Temperature Shock Non-Operating	-30°C ←→ 70°C (0.5hr each), 25 cycles
7	Vibration Test Non-Operating	Frequency:0 ~ 55 Hz Amplitude:1.5 mm Sweep Time:11min Test Period:6 Cycles for each Direction of X,Y,Z
9	Electro-static Discharge Non-Operating	150pF,330Ω Air:± 8KV;Contact: ±4KV 10 times/point;4 points/panel face

Note1: The test sample have recovery time for 24 hours at room temperature before the function check. In the standard conditions, there is no any touch panel function NG issue occurred.



8.3 JUDGMENT STANDARD

The judgment of the above test should be made as follow:

Pass: Normal display image with no obvious non-uniformity and no line defect. Partial transformation of the module parts should be ignored.

Fail: No display image, obvious non-uniformity, or line defects.





8.4 INCOMING INSPECTION STANDARDS

No.	Parameter	Criteria														
1	Operating	Display function: No Display malfunction (Major)														
		Contrast ratio (Black, White): Does not meet specified range in the spec. (Major) (Note:3)														
		Line Defect: No obvious Vertical and Horizontal line defect in bright, dark and colored. (Major) (Note:1)														
		Point Defect : Active area ≤ 5 dots (Minor) (Note:1)														
		<table border="1"> <thead> <tr> <th rowspan="2">Item</th> <th>Acceptable number</th> <th rowspan="2">Total</th> </tr> <tr> <th>Active Area</th> </tr> </thead> <tbody> <tr> <td>Bright</td> <td>2</td> <td rowspan="2">5</td> </tr> <tr> <td>Dark</td> <td>4</td> </tr> </tbody> </table>	Item	Acceptable number	Total	Active Area	Bright	2	5	Dark	4					
Item	Acceptable number	Total														
	Active Area															
Bright	2	5														
Dark	4															
2	External Inspection (non-operating)	Non-uniformity: Visible through 5%ND filter. (Minor)														
		Foreign material in Black or White spots shape ($W > 1/4L$)														
		<table border="1"> <thead> <tr> <th>Zone Dimension</th> <th>Acceptable number</th> <th rowspan="3">Class Of Defects</th> <th rowspan="3">AQL Level</th> </tr> </thead> <tbody> <tr> <td>$D > 0.5$</td> <td>0</td> </tr> <tr> <td>$0.3 < D \leq 0.5$</td> <td>5</td> </tr> <tr> <td>$D \leq 0.3$</td> <td>*</td> <td>Minor</td> <td>1.5</td> </tr> </tbody> </table> <p>$D = (\text{Long} + \text{Short}) / 2$ * : Disregard</p>	Zone Dimension	Acceptable number	Class Of Defects	AQL Level	$D > 0.5$	0	$0.3 < D \leq 0.5$	5	$D \leq 0.3$	*	Minor	1.5		
		Zone Dimension	Acceptable number	Class Of Defects			AQL Level									
		$D > 0.5$	0													
$0.3 < D \leq 0.5$	5															
$D \leq 0.3$	*	Minor	1.5													
Foreign Material in Line or spiral shape ($W \leq 1/4L$) (Note: 4)																
<table border="1"> <thead> <tr> <th rowspan="2">L (mm)</th> <th>Zone W(mm)</th> <th rowspan="2">Acceptable number</th> <th rowspan="3">Class Of Defects</th> <th rowspan="3">AQL Level</th> </tr> </thead> <tbody> <tr> <td>$L > 5$</td> <td>$W > 0.1$</td> <td>0</td> </tr> <tr> <td>$0.5 < L \leq 5$</td> <td>$0.03 < W \leq 0.1$</td> <td>5</td> </tr> <tr> <td>$L \leq 0.5$</td> <td>$W \leq 0.03$</td> <td>*</td> <td>Minor</td> <td>1.5</td> </tr> </tbody> </table> <p>L : Length W : Width * : Disregard</p>	L (mm)	Zone W(mm)	Acceptable number	Class Of Defects	AQL Level	$L > 5$	$W > 0.1$	0	$0.5 < L \leq 5$	$0.03 < W \leq 0.1$	5	$L \leq 0.5$	$W \leq 0.03$	*	Minor	1.5
L (mm)		Zone W(mm)				Acceptable number	Class Of Defects	AQL Level								
	$L > 5$	$W > 0.1$	0													
$0.5 < L \leq 5$	$0.03 < W \leq 0.1$	5														
$L \leq 0.5$	$W \leq 0.03$	*	Minor	1.5												
2	External Inspection (non-operating)	Dimension: Outline (Major)														
		Bezel appearance: uneven (Minor)														
		Scratch on the polarize: (Note:2)														
		<table border="1"> <thead> <tr> <th rowspan="2">L (mm)</th> <th>Zone W(mm)</th> <th rowspan="2">Acceptable number</th> <th rowspan="3">Class Of Defects</th> <th rowspan="3">AQL Level</th> </tr> </thead> <tbody> <tr> <td>--</td> <td>$W > 0.1$</td> <td>0</td> </tr> <tr> <td>$L \leq 3$</td> <td>$W \leq 0.1$</td> <td>3</td> <td>Minor</td> <td>1.5</td> </tr> </tbody> </table> <p>L : Length W : Width * : Disregard</p>	L (mm)	Zone W(mm)	Acceptable number	Class Of Defects	AQL Level	--	$W > 0.1$	0	$L \leq 3$	$W \leq 0.1$	3	Minor	1.5	
		L (mm)		Zone W(mm)				Acceptable number	Class Of Defects	AQL Level						
--	$W > 0.1$		0													
$L \leq 3$	$W \leq 0.1$	3	Minor	1.5												
Dent or bubble on the polarize (Note:2)																
<table border="1"> <thead> <tr> <th>Zone Dimension</th> <th>Acceptable number</th> <th rowspan="3">Class Of Defects</th> <th rowspan="3">AQL Level</th> </tr> </thead> <tbody> <tr> <td>$D \leq 0.3$</td> <td>*</td> </tr> <tr> <td>$D \leq 0.5$</td> <td>3</td> <td>Minor</td> <td>1.5</td> </tr> </tbody> </table> <p>$D = (\text{Long} + \text{Short}) / 2$ * : Disregard</p>	Zone Dimension	Acceptable number	Class Of Defects	AQL Level	$D \leq 0.3$	*	$D \leq 0.5$	3	Minor	1.5						
Zone Dimension	Acceptable number	Class Of Defects			AQL Level											
$D \leq 0.3$	*															
$D \leq 0.5$	3		Minor	1.5												

Class of defects			Definition
	Major	AQL 0.65%	
Minor	AQL 1.5%		It is a defect that will not result in functioning problem with deviation classified.

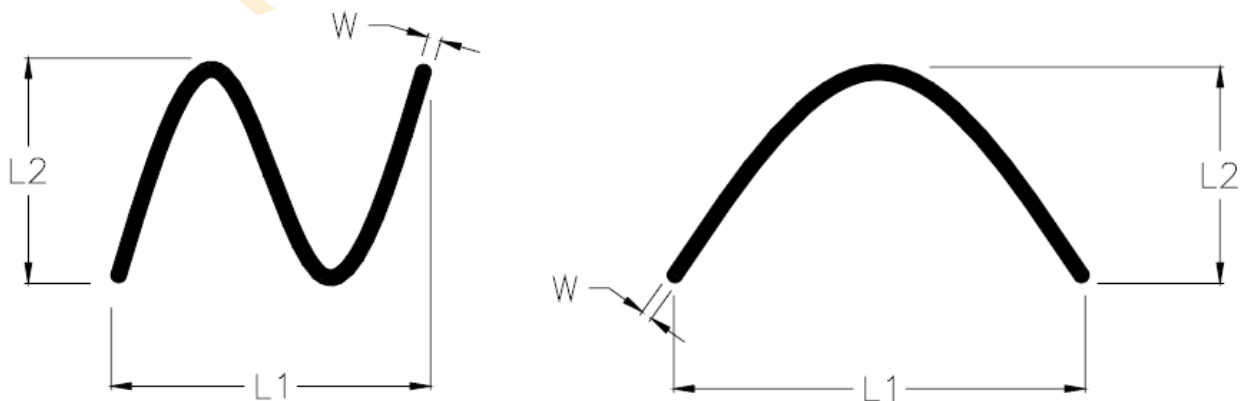
Note1:

- (a) Bright point defect is defined as point defect of R,G,B with area $>1/2$ pixel respectively
- (b) Dark point defect is defined as visible in full white pattern.
- (c) Definition of distribution of point defect is as follows:
 - minimum separation between dark point defects should be larger than 5mm.
 - minimum separation between bright point defects should be larger than 5mm.
- (d) Definition of joined bright point defect and joined dark point defect are as follows:
 - Two or more joined bright point defects must be nil.
 - Three joined dark point defects must be nil.
 - Coupling of one dark and one bright point in junction is counted as one dark and bright spot with 1 pair maximum.
 - Two Joined dark point is counted as two dark points with 2 pair maximum.

Note2: The external inspection should be conducted at the distance 30 ± 5 cm between the eyes of inspector and the panel.

Note3: Luminance measurement for contrast ratio is at the distance 50 ± 5 cm between the detective head and the panel with ambient luminance less than 1 lux. Contrast ratio is obtained at optimum view angle.

Note4: W-Width in mm , L-length of Max.(L1,L2) in mm.



8.5 Sampling Condition

Unless otherwise agree in written, the sampling inspection shall be applied to the incoming inspection of customer.

Lot size: Quantity of shipment lot per model.

Sampling type: normal inspection, single sampling

Sampling table: MIL-STD-105E

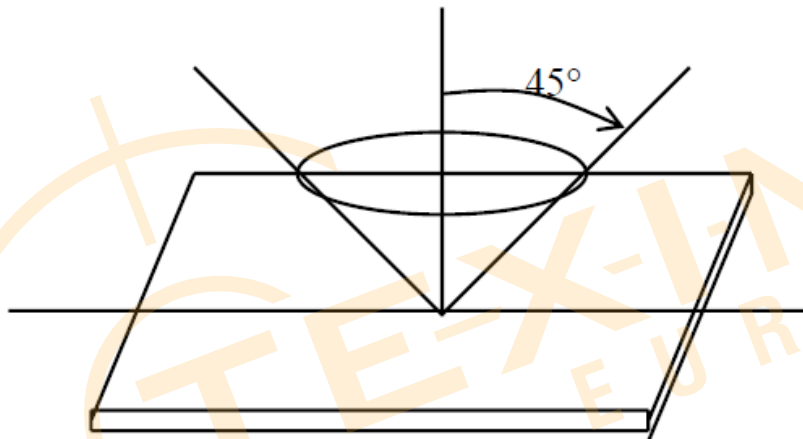
Inspection level: Level II

8.6 Inspection conditions

The LCD shall be inspected under 40W white fluorescent light.

$\theta \leq 45^\circ$ inspection under non-operating condition.

$\theta \leq 5^\circ$ inspection under operating condition





9. PRECAUTION RELATING PRODUCT HANDLING

9.1 SAFETY

- 9.1.1 If the LCD panel breaks , be careful not to get the liquid crystal to touch your skin.
- 9.1.2 If the liquid crystal touches your skin or clothes , please wash it off immediately by using soap and water.

9.2 HANDLING

- 9.2.1 Avoid any strong mechanical shock which can break the glass.
- 9.2.2 Avoid static electricity which can damage the CMOS LSI—When working with the module, be sure to ground your body and any electrical equipment you may be using.
- 9.2.3 Do not remove the panel or frame from the module.
- 9.2.4 The polarizing plate of the display is very fragile. So , please handle it very carefully, Do not touch, push or rub the exposed polarizing with anything harder than an HB pencil lead (glass , tweezers , etc.)
- 9.2.5 Do not wipe the polarizing plate with a dry cloth, as it may easily scratch the surface of plate.
- 9.2.6 Do not touch the display area with bare hands , this will stain the display area.
- 9.2.7 Do not use ketonics solvent & aromatic solvent. Use with a soft cloth soaked with a cleaning naphtha solvent.
- 9.2.8 To control temperature and time of soldering is $280 \pm 10^{\circ}\text{C}$ and 3-5 sec.
- 9.2.9 To avoid liquid (include organic solvent) stained on LCM.

9.3 STORAGE

- 9.3.1 Store the panel or module in a dark place where the temperature is $25^{\circ}\text{C} \pm 5^{\circ}\text{C}$ and the humidity is below 65% RH.
- 9.3.2 Do not place the module near organics solvents or corrosive gases.
- 9.3.3 Do not crush, shake, or jolt the module.

Disclaimer

ALL PRODUCTS, PRODUCT SPECIFICATIONS AND DATA ARE SUBJECT TO CHANGE WITHOUT NOTICE TO IMPROVE RELIABILITY, FUNCTION OR DESIGN OR OTHERWISE.

Texim Europe B.V. its affiliates, agents, and employees, and all persons acting on its or their behalf (collectively, "Texim"), disclaim any and all liability for any errors, inaccuracies or incompleteness contained in any datasheet or in any other disclosure relating to any product.

Texim makes no warranty, representation or guarantee regarding the suitability of the products for any particular purpose or the continuing production of any product.

It is the customer's responsibility to validate that a particular product with the properties described in the product specification is suitable for use in a particular application.

Parameters provided in datasheets and / or specifications may vary in different applications and performance may vary over time.

All operating parameters, including typical parameters, must be validated for each customer application by the customer's technical experts.

Please contact us if you have any questions about the contents of the datasheet.

This may not be the latest version of the datasheet. Please check with us if a later version is available.





Headquarters & Warehouse

Elektrostraat 17
NL-7483 PG Haaksbergen
The Netherlands

T: +31 (0)53 573 33 33
E: info@texim-europe.com
Homepage: www.texim-europe.com



The Netherlands

Elektrostraat 17
NL-7483 PG Haaksbergen

T: +31 (0)53 573 33 33
E: nl@texim-europe.com



Belgium

Zuiderlaan 14, box 10
B-1731 Zellik

T: +32 (0)2 462 01 00
E: belgium@texim-europe.com



UK & Ireland

St Mary's House, Church Lane
Carlton Le Moorland
Lincoln LN5 9HS

T: +44 (0)1522 789 555
E: uk@texim-europe.com



Germany - North

Bahnhofstrasse 92
D-25451 Quickborn

T: +49 (0)4106 627 07-0
E: germany@texim-europe.com



Germany - South

Martin-Kollar-Strasse 9
D-81829 München

T: +49 (0)89 436 086-0
E: muenchen@texim-europe.com



Austria

Warwitzstrasse 9
A-5020 Salzburg

T: +43 (0)662 216 026
E: austria@texim-europe.com



Nordic

Søndre Jagtvej 12
DK-2970 Hørsholm

T: +45 88 20 26 30
E: nordic@texim-europe.com



Italy

Martin-Kollar-Strasse 9
D-81829 München

T: +49 (0)89 436 086-0
E: italy@texim-europe.com