




TFT Module Specification

MODEL: UC-101ZIEBCBD0-S

< ◆ > PRELIMINARY SPECIFICATION

< ◇ > APPROVAL SPECIFICATION

| |
|--------------------|
| CUSTOMER |
| |
| APPROVED BY |
| |
| DATE: |

| DESIGNED | CHECKED | APPROVED |
|---|---|---|
|  |  |  |

Distributed by:



www.texim-europe.com



RECORD OF REVISION

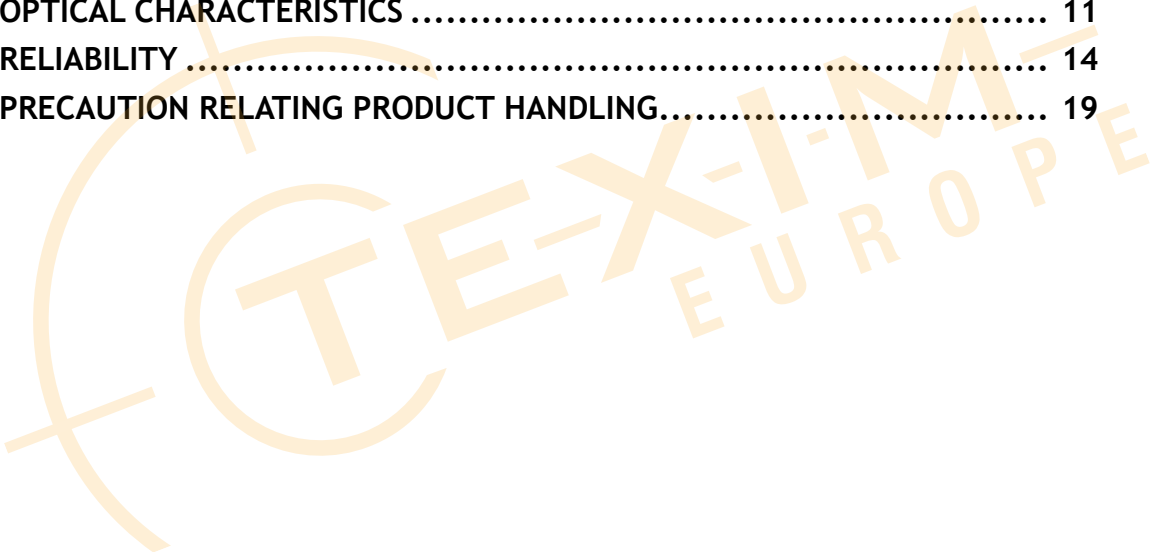
| Version | Revised Date | Page | Content |
|---------|--------------|------|-------------------|
| V1.0 | 2024/07/10 | -- | PRELIMINARY SPEC. |
| | | | |
| | | | |
| | | | |
| | | | |





TABLE OF CONTENTS

| No. | Content | Page |
|-----|---|------|
| | TFT Module Specification | 1 |
| | TABLE OF CONTENTS | 3 |
| 1. | GENERAL DESCRIPTION..... | 4 |
| 2. | MECHANICAL SPECIFICATION | 5 |
| 3. | PIN DESCRIPTION | 6 |
| 4. | ABSOLUTE MAXIMUM RATINGS | 7 |
| 5. | BLOCK DIAGRAM..... | 8 |
| 6. | ELECTRICAL CHARACTERISTICS..... | 9 |
| 7. | PROJECTED CAPACITIVE TOUCH PANEL SPECIFICATIONS | 10 |
| 8. | OPTICAL CHARACTERISTICS | 11 |
| 9. | RELIABILITY | 14 |
| 10. | PRECAUTION RELATING PRODUCT HANDLING..... | 19 |





1. GENERAL DESCRIPTION

1.1 Description

The specification is model UC-101ZIEBCBD0-S is a color active matrix thin film transistor (TFT) liquid crystal display (LCD) that uses amorphous silicon TFT as a switching device. This model is composed of a TFT LCD panel, a driving circuit, a backlight system and projected capacitive touch panel. This TFT LCD has a 10.1 (16:10) inch diagonally measured active display area with WXGA (1280 horizontal by 800 vertical pixels) resolution.

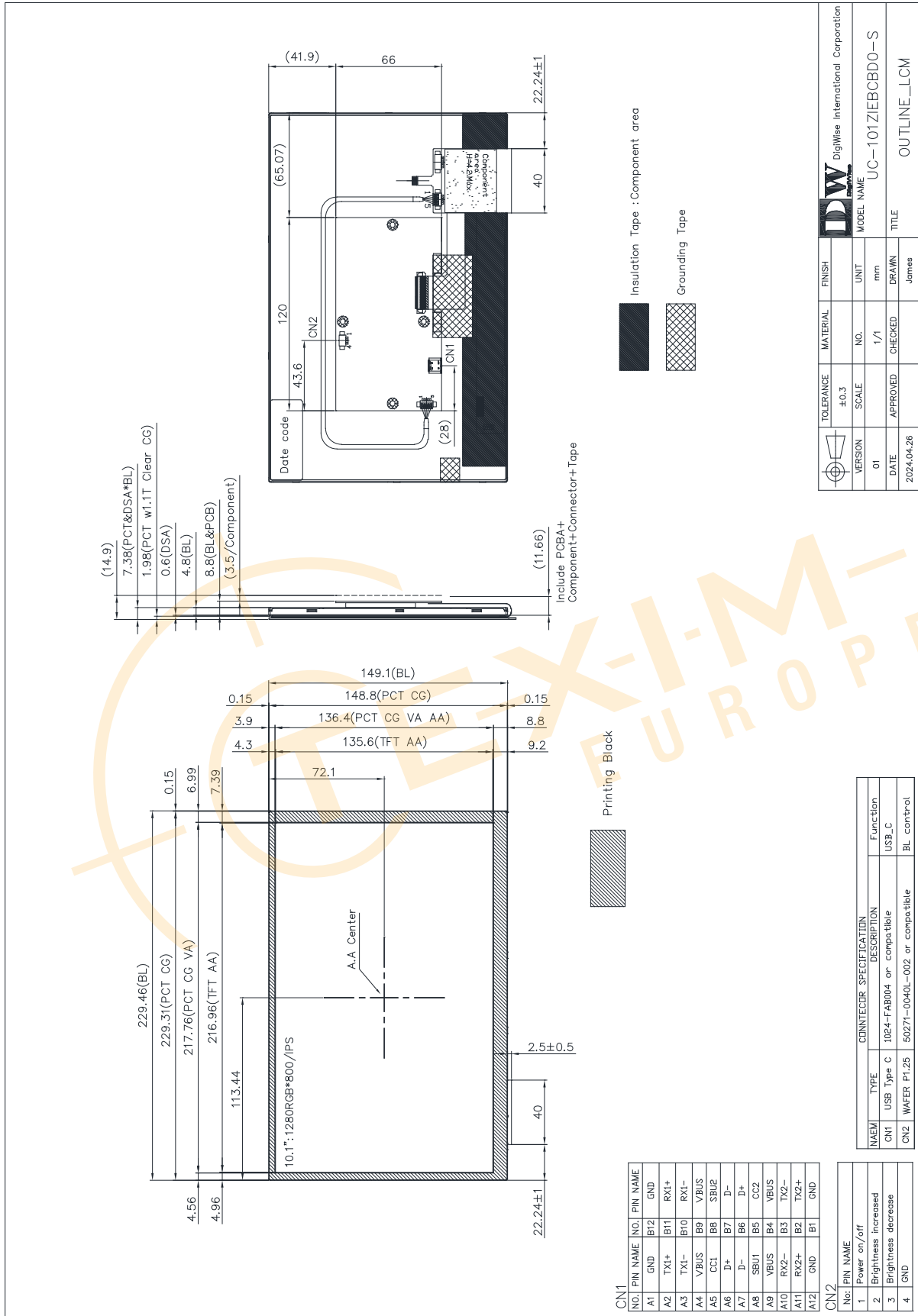
- ◆ Supports VESA DisplayPort Alt. Mode 1.0a
- ◆ DisplayPort 1.3
- ◆ Build-in OSD function.

1.2 Features:

| No. | Item | Specification | Unit |
|-----|--------------------------------|-------------------------------------|-------------------|
| 1 | Panel Size | 10.1" | Inch |
| 2 | Number of Pixels | 1280 (W) x RGB x 800 (H) | Pixels |
| 3 | Active Area | 216.96 (W) × 135.6 (H) | mm |
| 4 | Pixel Pitch | 0.1695 (W) × 0.1695 (H) | mm |
| 5 | Outline Dimension | 229.46 (W) × 149.1 (H) × 14.9 (T) | mm |
| 6 | Number of Colors | 16.7M | - - |
| 7 | Display Mode | IPS / Normally Black / Transmissive | - - |
| 8 | Viewing Direction | Free direction | - - |
| 9 | Display Format | RGB vertical stripe | - - |
| 10 | Surface Treatment | Clear (7H) | - - |
| 11 | Contrast Ratio | 900 (Typ.) | - - |
| 12 | Luminance (cd/m ²) | 600 (Typ.) | cd/m ² |
| 13 | Interface | TYPE-C (5V/3A) | - - |
| 14 | Backlight | White LED | - - |
| 15 | Operation Temperature | 0 ~ 70 | °C |
| 16 | Storage Temperature | -30 ~ 80 | °C |
| 17 | Weight | TBD | g |



2. MECHANICAL SPECIFICATION



| | | |
|------------------|----------|-------------|
| TOLERANCE | MATERIAL | FINISH |
| ±0.3 | | |
| VERSION | NO. | UNIT |
| 01 | 1/1 | mm |
| DATE | APPROVED | CHECKED |
| 2024-04-26 | | James |
| MODEL NAME | | TITLE |
| UC-101ZIEBCBDO-S | | OUTLINE_LCM |

| NAEM | TYPE | CONNTECOR SPECIFICATION | DESCRIPTION | Function |
|------|-------------|-------------------------|---------------|------------|
| CN1 | USB Type C | 1024-FAB004 | or compatible | USB_C |
| CN2 | WAFER P1.25 | 50271-0040L-002 | or compatible | BL_control |

| NO. | PIN NAME | NO. | PIN NAME |
|-----|----------|-----|----------|
| A1 | GND | B12 | GND |
| A2 | TX1+ | B11 | RX1+ |
| A3 | TX1- | B10 | RX1- |
| A4 | VBUS | B9 | VBUS |
| A5 | CC1 | B8 | SBUE2 |
| A6 | D+ | B7 | D- |
| A7 | D- | B6 | D+ |
| A8 | SBUT1 | B5 | CC2 |
| A9 | VBUS | B4 | VBUS |
| A10 | RX2- | B3 | TX2- |
| A11 | RX2+ | B2 | TX2+ |
| A12 | GND | B1 | GND |

| NO. | PIN NAME |
|-----|----------------------|
| 1 | Power on/off |
| 2 | Brightness increased |
| 3 | Brightness decrease |
| 4 | GND |



3. PIN DESCRIPTION

3.1 TYPE-C CN1(Connector Part No: 1024-FAB004 or compatible)

| Pin No. | Symbol | I/O | Function | Note |
|---------|--------|-----|--|------|
| A1 | GND | P | Ground | |
| A2 | TX1+ | I/O | High speed data path TX for DP Alt Mode. | |
| A3 | TX1- | I/O | | |
| A4 | VBUS | P | Cable bus power +5V only. | |
| A5 | CC1 | I/O | Type-C Port Configuration Channel | |
| A6 | D+ | I/O | USB 2.0 Interface. | |
| A7 | D- | I/O | | |
| A8 | SBU1 | I/O | USB Type-C Sideband Use 1 | |
| A9 | VBUS | P | Cable bus power +5V only. | |
| A10 | RX2- | I/O | High speed data path RX for DP Alt Mode. | |
| A11 | RX2+ | I/O | | |
| A12 | GND | P | Ground | |
| B1 | GND | P | Ground | |
| B2 | TX2+ | I/O | High speed data path TX for DP Alt Mode. | |
| B3 | TX2- | I/O | | |
| B4 | VBUS | P | Cable bus power +5V only. | |
| B5 | CC2 | I/O | Type-C Port Configuration Channel | |
| B6 | D+ | I/O | USB 2.0 Interface. | |
| B7 | D- | I/O | | |
| B8 | SBU2 | I/O | USB Type-C Sideband Use 2 | |
| B9 | VBUS | P | Cable bus power +5V only. | |
| B10 | RX1- | I/O | High speed data path RX for DP Alt Mode. | |
| B11 | RX1+ | I/O | | |
| B12 | GND | P | Ground | |

3.2 key Pad CN2 (50271-0040L-002 or compatible)

| Pin | Symbol | I/O | Function | Note |
|-----|----------------------|-----|-----------------------|------|
| 1 | Power on/off | I | Power On/Off control. | |
| 2 | Brightness increased | I | Brightness Increase. | |
| 3 | Brightness decrease | I | Brightness decrease. | |
| 4 | GND | P | Ground | |



4. ABSOLUTE MAXIMUM RATINGS

4.1 Electrical Absolute Rating

4.1.1 TFT LCD Module

| Item | Symbol | Values | | Unit | Note |
|----------------------|--------|--------|------|------|------|
| | | Min | Max. | | |
| Power supply voltage | VBUS | -0.3 | 6 | V | |

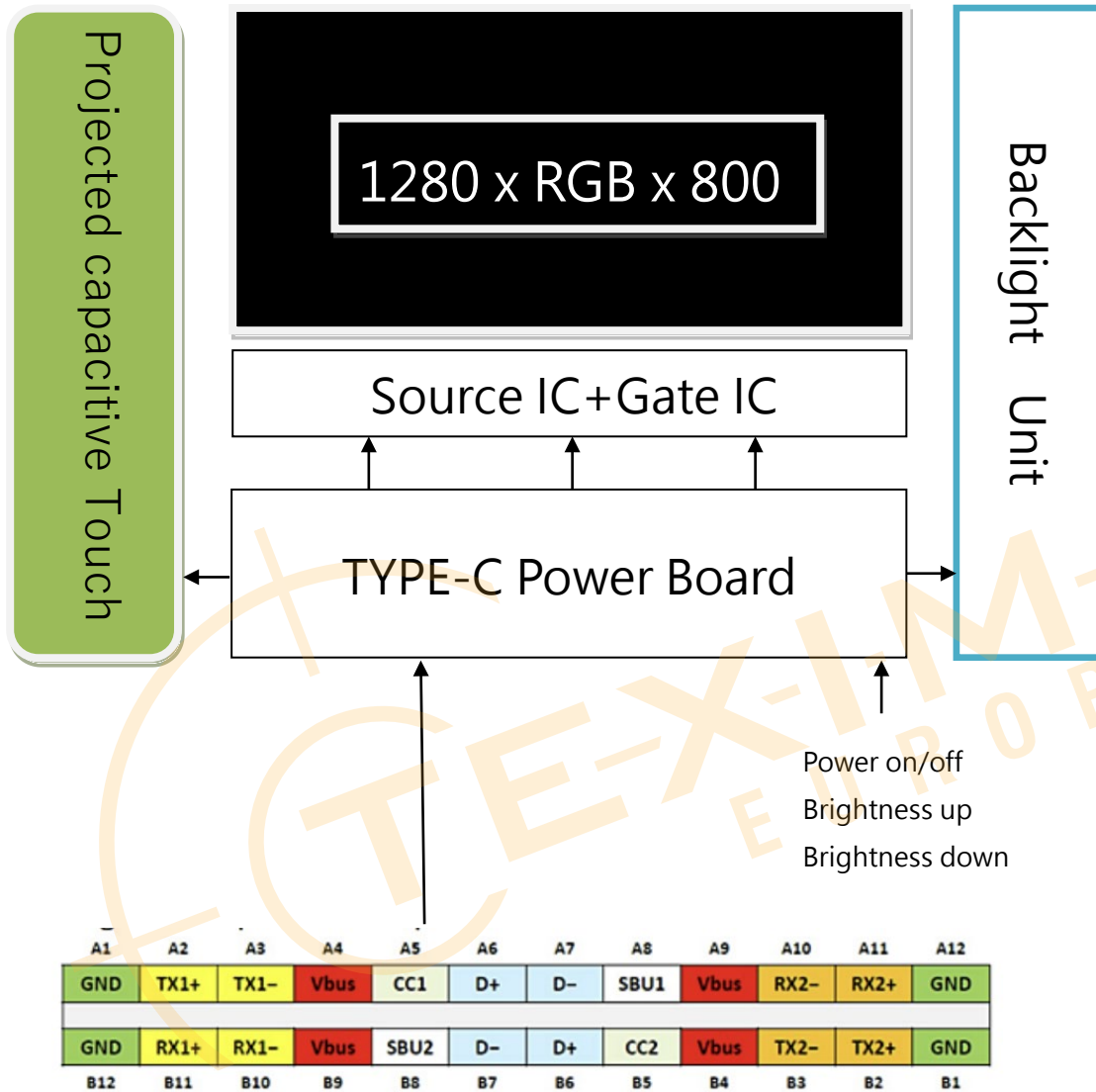
4.1.2 Environment Absolute Rating

| Item | Symbol | Values | | | Unit | Note |
|-----------------------|--------|--------|-----|------|------|---------------------|
| | | Min | Typ | Max. | | |
| Operating Temperature | Topa | 0 | | 70 | °C | Ambient temperature |
| Storage Temperature | Tstg | -30 | | 80 | °C | |



5. BLOCK DIAGRAM

5.1 TFT LCD Module



6. ELECTRICAL CHARACTERISTICS

6.1 TFT LCD Module

| Item | Symbol | Values | | | Unit | Note |
|------------------|------------------|--------|-------|------|------|------|
| | | Min. | Typ. | Max. | | |
| Supply Voltage | V _{BUS} | - | 5.0 | 5.5 | V | |
| required current | I _{BUS} | - | 1.09 | 1.15 | A | (1) |
| LED life time | - | - | 50000 | - | Hr | (2) |

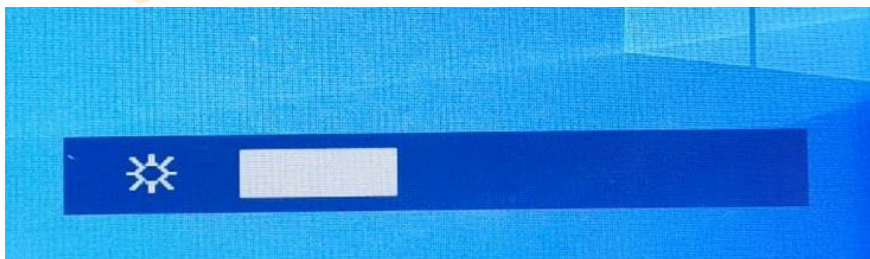
Note 1: condition: projected capacitive touch panel active, and under brightness 100%

Note 2: The “LED life time” is defined as the module brightness decrease to 50% original brightness that the ambient temperature is 25°C 60% RH.

6.2 OSD Function

Built-in OSD function, connected to the external key pad to CN2, can control the screen switch On/Off and backlight brightness control.

The adjusted brightness level will be automatically memorized.





7. PROJECTED CAPACITIVE TOUCH PANEL

7.1 Main Feature

| Item | Specification | Unit |
|-----------------------------|---------------------------------------|----------|
| Screen Size | 10.1 inch | Diagonal |
| Type | Transparent Type Projected Capacitive | -- |
| Input Mode | Human's Finger | -- |
| Finger | 10 | -- |
| Interface | USB | -- |
| Cover glass pencil-hardness | 7H | -- |
| Response time | 25 | ms |
| Driver IC | ILI2511 | -- |

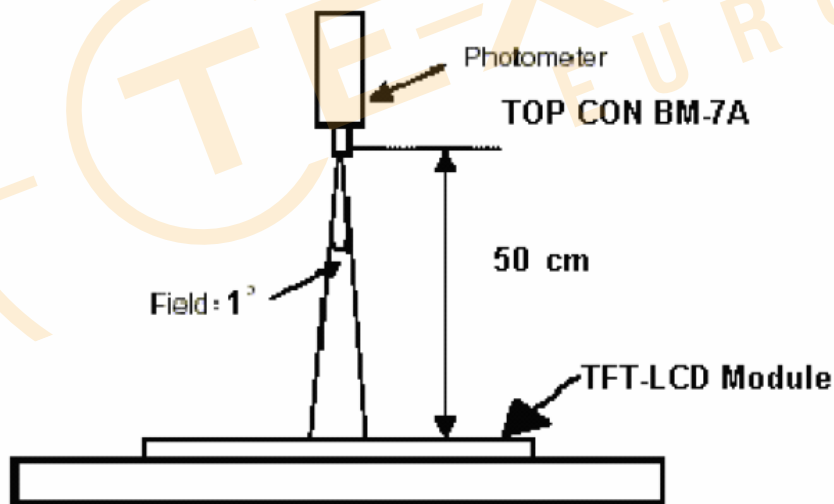


8. OPTICAL CHARACTERISTICS

| Item | Symbol | Condition | Min. | Typ. | Max. | Unit |
|--------------------|------------|--|-------|-------|-------|-------------------|
| Brightness | -- | Note1, Note 3, ($\theta = 0^\circ$; Normal Viewing Angle) | 480 | 600 | -- | cd/m ² |
| Uniformity | B-uni | | 70 | 75 | - | % |
| Contrast Ratio | CR | | 400 | 600 | -- | -- |
| Response Time | Tr | | -- | 4 | 8 | ms |
| | Tf | -- | 12 | 24 | ms | |
| Color Chromaticity | White | Wx | 0.260 | 0.310 | 0.360 | -- |
| | | Wy | 0.280 | 0.330 | 0.380 | -- |
| View angle | Horizontal | θ_{x+} | 80 | 85 | -- | |
| | | θ_{x-} | 80 | 85 | -- | |
| | Vertical | θ_{Y+} | 80 | 85 | -- | |
| | | θ_{Y-} | 80 | 85 | -- | |

Note : The following optical specifications shall be measured in a darkroom or equivalent state (ambient luminance ≤ 1 lux, and at room temperature). The operation temperature is $25^\circ\text{C} \pm 2^\circ\text{C}$. The measurement method is shown in Note1.

Note 1: The method of optical measurement:

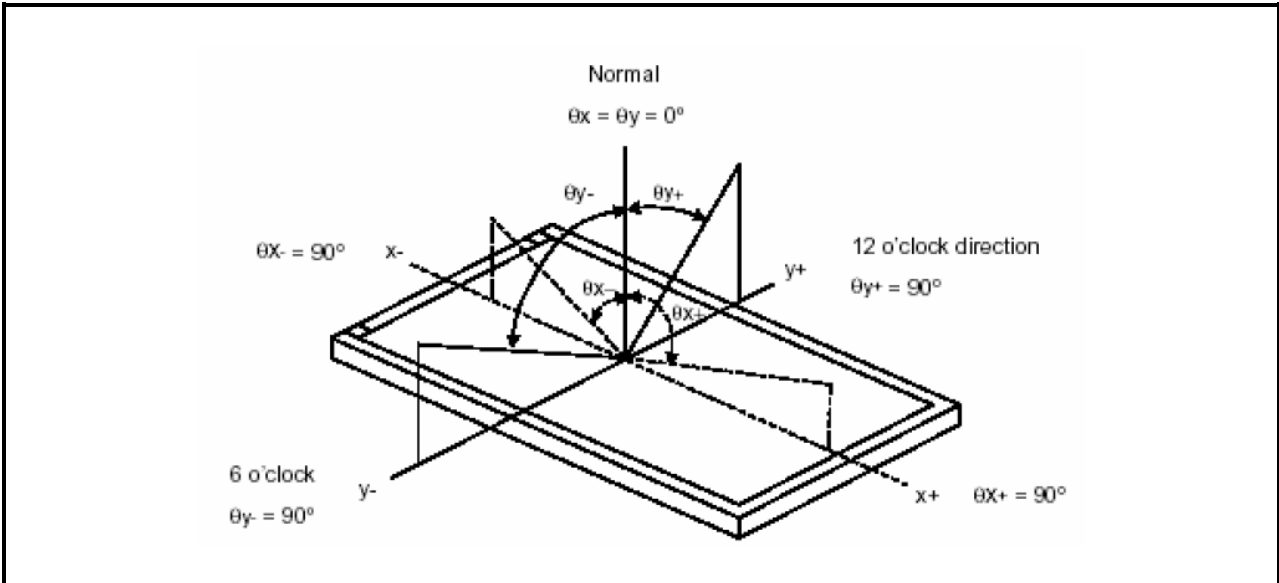


Note 2: Measured at the center area of the panel and at the viewing angle of the $\theta_x = \theta_y = 0^\circ$

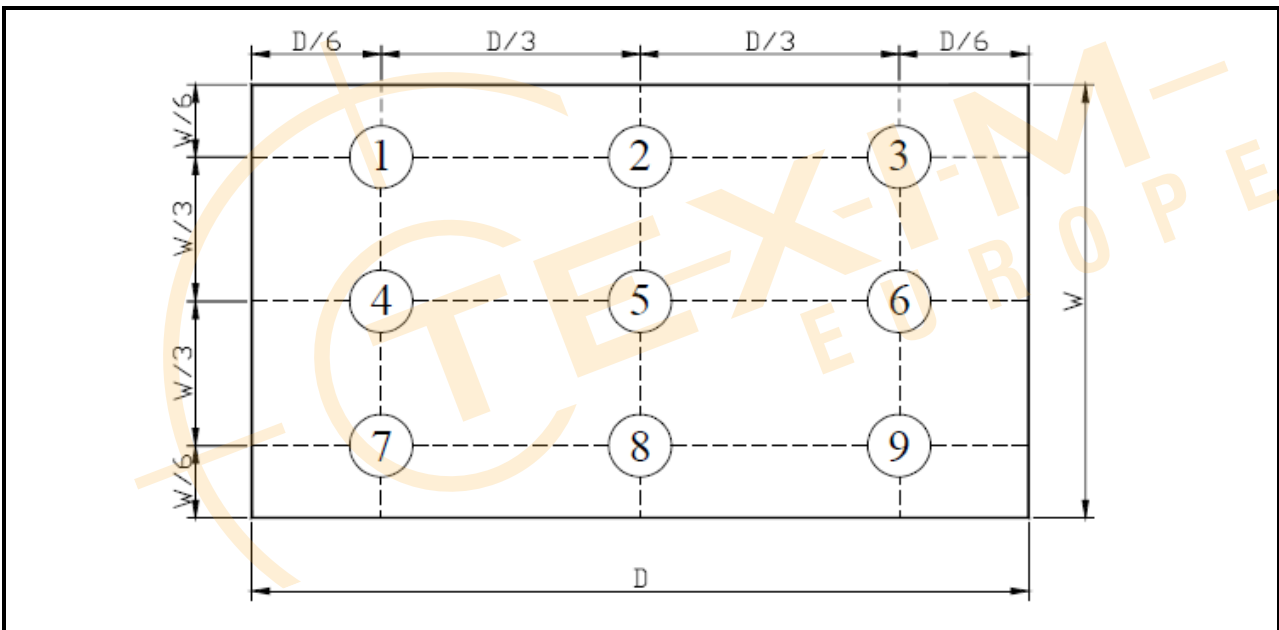
Note 3: Definition of Contrast Ratio (CR):

CR = Luminance with all pixels in white state \div Luminance with all pixels in Black state

Note 4: Definition of Viewing Angle:



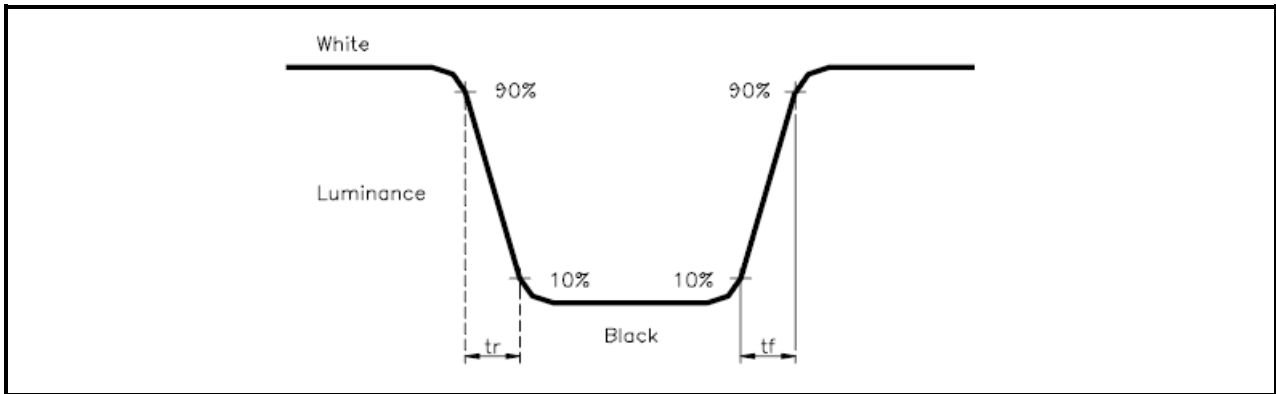
Note 5: Definition of Brightness Uniformity (B-uni):



$$B\text{-uni} = (\text{Minimum luminance of 9 points} \div \text{Maximum luminance of 9 points}) \times 100\%$$

Note 6: Definition of Response Time:

The Response Time is set initially by defining the “Rising Time (T_r)” and the “Falling Time (T_f)” respectively. T_r and T_f are defined as following figure



Note 7: Definition of Chromaticity:

The color coordinates (W_x, W_y), (R_x, R_y), (G_x, G_y), and (B_x, B_y) are obtained with all pixels in the viewing field at white, red, green, and blue states, respectively.



9. RELIABILITY

9.1 Test Condition

9.1.1 Temperature and Humidity(Ambient Temperature)

Temperature : $25 \pm 5^{\circ}\text{C}$

Humidity : $65 \pm 5\%$

9.1.2 Operation

Unless specified otherwise, test will be conducted under function state.

9.1.3 Container

Unless specified otherwise, vibration test will be conducted to the product itself without putting it in a container.

9.1.4 Test Frequency

In case of related to deterioration such as shock test. It will be conducted only once.

9.2 TESTS

| No. | ITEM | CONDITION CRITERION |
|-----|---|--|
| 1 | High Temperature Storage | 80°C, 120 hrs |
| 2 | Low Temperature Storage | -30°C, 120 hrs |
| 3 | High Temperature Operating | 70°C, 120 hrs |
| 4 | Low Temperature Operating | 0°C, 120 hrs |
| 5 | High Temperature/Humidity Non-Operating | 50°C, 90%RH, 120 hrs |
| 6 | Temperature Shock Non-Operating | -30°C \leftrightarrow 70°C (0.5hr each), 25 cycles |
| 7 | Vibration Test Non-Operating | Frequency:0 ~ 55 Hz Amplitude:1.5 mm Sweep Time:11min Test Period:6 Cycles for each Direction of X,Y,Z |
| 9 | Electro-static Discharge Non-Operating | 150pF,330Ω Air:± 8KV;Contact: ±4KV 10 times/point;4 points/panel face |

Note1: The test sample have recovery time for 24 hours at room temperature before the function check. In the standard conditions, there is no any touch panel function NG issue occurred.



9.3 JUDGMENT STANDARD

The judgment of the above test should be made as follow:

Pass: Normal display image with no obvious non-uniformity and no line defect. Partial transformation of the module parts should be ignored.

Fail: No display image, obvious non-uniformity, or line defects.





9.4 INCOMING INSPECTION STANDARDS

| No. | Parameter | Criteria | | | | | | | | | | | | |
|---|-------------------------------------|---|------------------------|-------------------|-------------------|-------------|--------------|-----|--------------------------------------|------|----------------------------|---|--------------|---|
| 1 | Operating | Display function: No Display malfunction (Major) | | | | | | | | | | | | |
| | | Contrast ratio (Black, White): Does not meet specified range in the spec. (Major) (Note:3) | | | | | | | | | | | | |
| | | Line Defect: No obvious Vertical and Horizontal line defect in bright, dark and colored. (Major) (Note:1) | | | | | | | | | | | | |
| | | Point Defect : Active area ≤ 5 dots (Minor) (Note:1) | | | | | | | | | | | | |
| | | <table border="1"> <thead> <tr> <th rowspan="2">Item</th> <th>Acceptable number</th> <th rowspan="2">Total</th> </tr> <tr> <th>Active Area</th> </tr> </thead> <tbody> <tr> <td>Bright</td> <td>2</td> <td rowspan="2">5</td> </tr> <tr> <td>Dark</td> <td>4</td> </tr> </tbody> </table> | Item | Acceptable number | Total | Active Area | Bright | 2 | 5 | Dark | 4 | | | |
| Item | Acceptable number | Total | | | | | | | | | | | | |
| | Active Area | | | | | | | | | | | | | |
| Bright | 2 | 5 | | | | | | | | | | | | |
| Dark | 4 | | | | | | | | | | | | | |
| 2 | External Inspection (non-operating) | Non-uniformity: Visible through 5%ND filter. (Minor) | | | | | | | | | | | | |
| | | Foreign material in Black or White spots shape ($W > 1/4L$) | | | | | | | | | | | | |
| | | <table border="1"> <thead> <tr> <th>Zone Dimension</th> <th>Acceptable number</th> <th>Class Of Defects</th> <th>AQL Level</th> </tr> </thead> <tbody> <tr> <td>$D > 0.5$</td> <td>0</td> <td rowspan="3">Minor</td> <td rowspan="3">1.5</td> </tr> <tr> <td>$0.3 < D \leq 0.5$</td> <td>5</td> </tr> <tr> <td>$D \leq 0.3$</td> <td>*</td> </tr> </tbody> </table> <p>$D = (\text{Long} + \text{Short}) / 2$ * : Disregard</p> | Zone Dimension | Acceptable number | Class Of Defects | AQL Level | $D > 0.5$ | 0 | Minor | 1.5 | $0.3 < D \leq 0.5$ | 5 | $D \leq 0.3$ | * |
| | | Zone Dimension | Acceptable number | Class Of Defects | AQL Level | | | | | | | | | |
| | | $D > 0.5$ | 0 | Minor | 1.5 | | | | | | | | | |
| $0.3 < D \leq 0.5$ | 5 | | | | | | | | | | | | | |
| $D \leq 0.3$ | * | | | | | | | | | | | | | |
| Foreign Material in Line or spiral shape ($W \leq 1/4L$) (Note: 4) | | | | | | | | | | | | | | |
| <table border="1"> <thead> <tr> <th>Zone L (mm) \ W(mm)</th> <th>Acceptable number</th> <th>Class Of Defects</th> <th>AQL Level</th> </tr> </thead> <tbody> <tr> <td>$L > 5$ $W > 0.1$</td> <td>0</td> <td rowspan="3">Minor</td> <td rowspan="3">1.5</td> </tr> <tr> <td>$0.5 < L \leq 5$ $0.03 < W \leq 0.1$</td> <td>5</td> </tr> <tr> <td>$L \leq 0.5$ $W \leq 0.03$</td> <td>*</td> </tr> </tbody> </table> <p>L : Length W : Width * : Disregard</p> | Zone L (mm) \ W(mm) | Acceptable number | Class Of Defects | AQL Level | $L > 5$ $W > 0.1$ | 0 | Minor | 1.5 | $0.5 < L \leq 5$ $0.03 < W \leq 0.1$ | 5 | $L \leq 0.5$ $W \leq 0.03$ | * | | |
| Zone L (mm) \ W(mm) | Acceptable number | Class Of Defects | AQL Level | | | | | | | | | | | |
| $L > 5$ $W > 0.1$ | 0 | Minor | 1.5 | | | | | | | | | | | |
| $0.5 < L \leq 5$ $0.03 < W \leq 0.1$ | 5 | | | | | | | | | | | | | |
| $L \leq 0.5$ $W \leq 0.03$ | * | | | | | | | | | | | | | |
| 2 | External Inspection (non-operating) | Dimension: Outline (Major) | | | | | | | | | | | | |
| | | Bezel appearance: uneven (Minor) | | | | | | | | | | | | |
| | | Scratch on the polarize: (Note:2) | | | | | | | | | | | | |
| | | <table border="1"> <thead> <tr> <th>Zone L (mm) \ W(mm)</th> <th>Acceptable number</th> <th>Class Of Defects</th> <th>AQL Level</th> </tr> </thead> <tbody> <tr> <td>-- $W > 0.1$</td> <td>0</td> <td rowspan="2">Minor</td> <td rowspan="2">1.5</td> </tr> <tr> <td>$L \leq 3$ $W \leq 0.1$</td> <td>3</td> </tr> </tbody> </table> <p>L : Length W : Width * : Disregard</p> | Zone L (mm) \ W(mm) | Acceptable number | Class Of Defects | AQL Level | -- $W > 0.1$ | 0 | Minor | 1.5 | $L \leq 3$ $W \leq 0.1$ | 3 | | |
| | | Zone L (mm) \ W(mm) | Acceptable number | Class Of Defects | AQL Level | | | | | | | | | |
| -- $W > 0.1$ | 0 | Minor | 1.5 | | | | | | | | | | | |
| $L \leq 3$ $W \leq 0.1$ | 3 | | | | | | | | | | | | | |
| Dent or bubble on the polarize (Note:2) | | | | | | | | | | | | | | |
| <table border="1"> <thead> <tr> <th>Zone Dimension</th> <th>Acceptable number</th> <th>Class Of Defects</th> <th>AQL Level</th> </tr> </thead> <tbody> <tr> <td>$D \leq 0.3$</td> <td>*</td> <td rowspan="2">Minor</td> <td rowspan="2">1.5</td> </tr> <tr> <td>$D \leq 0.5$</td> <td>3</td> </tr> </tbody> </table> <p>$D = (\text{Long} + \text{Short}) / 2$ * : Disregard</p> | Zone Dimension | Acceptable number | Class Of Defects | AQL Level | $D \leq 0.3$ | * | Minor | 1.5 | $D \leq 0.5$ | 3 | | | | |
| Zone Dimension | Acceptable number | Class Of Defects | AQL Level | | | | | | | | | | | |
| $D \leq 0.3$ | * | Minor | 1.5 | | | | | | | | | | | |
| $D \leq 0.5$ | 3 | | | | | | | | | | | | | |

| Class of defects | | | Definition |
|------------------|--------------|-----------|---|
| | Major | AQL 0.65% | |
| Minor | AQL 1.5% | | It is a defect that will not result in functioning problem with deviation classified. |

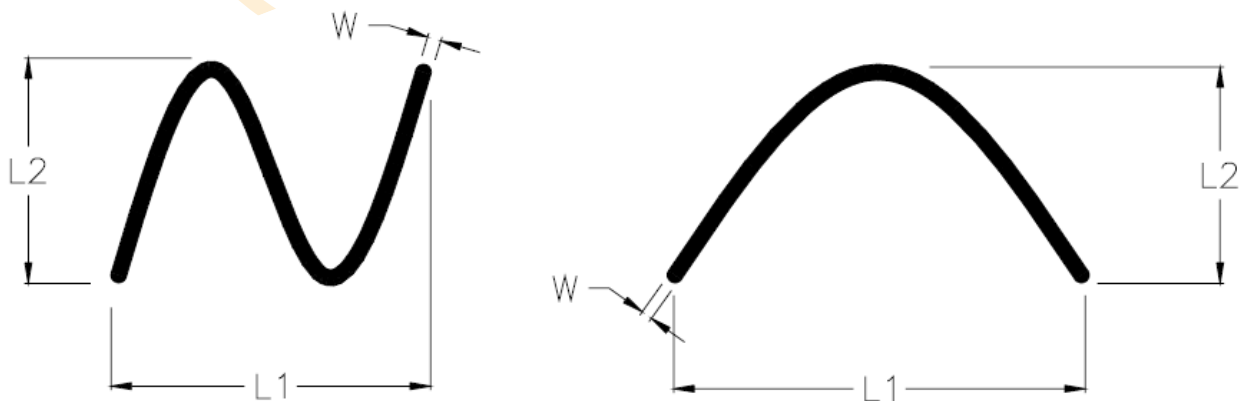
Note1:

- (a) Bright point defect is defined as point defect of R,G,B with area $>1/2$ pixel respectively
- (b) Dark point defect is defined as visible in full white pattern.
- (c) Definition of distribution of point defect is as follows:
 - minimum separation between dark point defects should be larger than 5mm.
 - minimum separation between bright point defects should be larger than 5mm.
- (d) Definition of joined bright point defect and joined dark point defect are as follows:
 - Two or more joined bright point defects must be nil.
 - Three joined dark point defects must be nil.
 - Coupling of one dark and one bright point in junction is counted as one dark and bright spot with 1 pair maximum.
 - Two Joined dark point is counted as two dark points with 2 pair maximum.

Note2: The external inspection should be conducted at the distance 30 ± 5 cm between the eyes of inspector and the panel.

Note3: Luminance measurement for contrast ratio is at the distance 50 ± 5 cm between the detective head and the panel with ambient luminance less than 1 lux. Contrast ratio is obtained at optimum view angle.

Note4: W-Width in mm , L-length of Max.(L1,L2) in mm.



9.5 Sampling Condition

Unless otherwise agree in written, the sampling inspection shall be applied to the incoming inspection of customer.

Lot size: Quantity of shipment lot per model.

Sampling type: normal inspection, single sampling

Sampling table: MIL-STD-105E

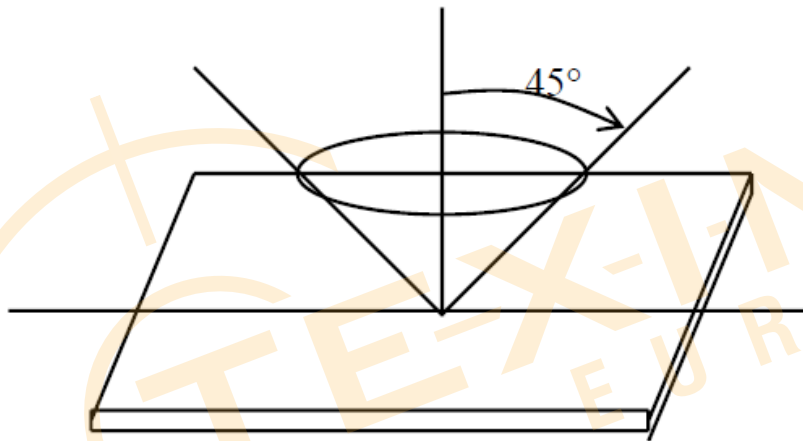
Inspection level: Level II

9.6 Inspection conditions

The LCD shall be inspected under 40W white fluorescent light.

$\theta \leq 45^\circ$ inspection under non-operating condition.

$\theta \leq 5^\circ$ inspection under operating condition





10. PRECAUTION RELATING PRODUCT HANDLING

10.1 SAFETY

10.1.1 If the LCD panel breaks , be careful not to get the liquid crystal to touch your skin.

10.1.2 If the liquid crystal touches your skin or clothes , please wash it off immediately by using soap and water.

10.2 HANDLING

10.2.1 Avoid any strong mechanical shock which can break the glass.

10.2.2 Avoid static electricity which can damage the CMOS LSI—When working with the module, be sure to ground your body and any electrical equipment you may be using.

10.2.3 Do not remove the panel or frame from the module.

10.2.4 The polarizing plate of the display is very fragile. So , please handle it very carefully, Do not touch, push or rub the exposed polarizing with anything harder than an HB pencil lead (glass , tweezers , etc.)

10.2.5 Do not wipe the polarizing plate with a dry cloth, as it may easily scratch the surface of plate.

10.2.6 Do not touch the display area with bare hands , this will stain the display area.

10.2.7 Do not use ketonics solvent & aromatic solvent. Use with a soft cloth soaked with a cleaning naphtha solvent.

10.2.8 To control temperature and time of soldering is $280 \pm 10^{\circ}\text{C}$ and 3-5 sec.

10.2.9 To avoid liquid (include organic solvent) stained on LCM.

10.3 STORAGE

10.3.1 Store the panel or module in a dark place where the temperature is $25^{\circ}\text{C} \pm 5^{\circ}\text{C}$ and the humidity is below 65% RH.

10.3.2 Do not place the module near organics solvents or corrosive gases.

10.3.3 Do not crush, shake, or jolt the module.

Disclaimer

ALL PRODUCTS, PRODUCT SPECIFICATIONS AND DATA ARE SUBJECT TO CHANGE WITHOUT NOTICE TO IMPROVE RELIABILITY, FUNCTION OR DESIGN OR OTHERWISE.

Texim Europe B.V. its affiliates, agents, and employees, and all persons acting on its or their behalf (collectively, "Texim"), disclaim any and all liability for any errors, inaccuracies or incompleteness contained in any datasheet or in any other disclosure relating to any product.

Texim makes no warranty, representation or guarantee regarding the suitability of the products for any particular purpose or the continuing production of any product.

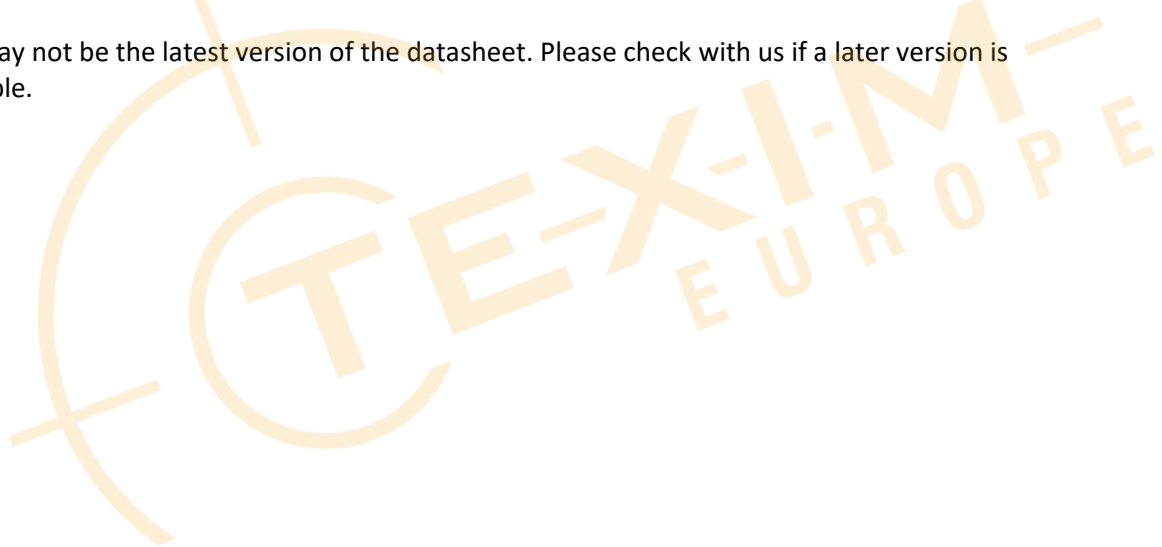
It is the customer's responsibility to validate that a particular product with the properties described in the product specification is suitable for use in a particular application.

Parameters provided in datasheets and / or specifications may vary in different applications and performance may vary over time.

All operating parameters, including typical parameters, must be validated for each customer application by the customer's technical experts.

Please contact us if you have any questions about the contents of the datasheet.

This may not be the latest version of the datasheet. Please check with us if a later version is available.





Headquarters & Warehouse

Elektrostraat 17
NL-7483 PG Haaksbergen
The Netherlands

T: +31 (0)53 573 33 33
E: info@texim-europe.com
Homepage: www.texim-europe.com



The Netherlands

Elektrostraat 17
NL-7483 PG Haaksbergen

T: +31 (0)53 573 33 33
E: nl@texim-europe.com



Belgium

Zuiderlaan 14, box 10
B-1731 Zellik

T: +32 (0)2 462 01 00
E: belgium@texim-europe.com



UK & Ireland

St Mary's House, Church Lane
Carlton Le Moorland
Lincoln LN5 9HS

T: +44 (0)1522 789 555
E: uk@texim-europe.com



Germany - North

Bahnhofstrasse 92
D-25451 Quickborn

T: +49 (0)4106 627 07-0
E: germany@texim-europe.com



Germany - South

Martin-Kollar-Strasse 9
D-81829 München

T: +49 (0)89 436 086-0
E: muenchen@texim-europe.com



Austria

Warwitzstrasse 9
A-5020 Salzburg

T: +43 (0)662 216 026
E: austria@texim-europe.com



Nordic

Søndre Jagtvej 12
DK-2970 Hørsholm

T: +45 88 20 26 30
E: nordic@texim-europe.com



Italy

Martin-Kollar-Strasse 9
D-81829 München

T: +49 (0)89 436 086-0
E: italy@texim-europe.com