

Country of Origin : China  
 Operating Temperature : 0~40 [°C]  
 Efficiency level (ErP) : VI



**GREEN MODE**      **RoHS**



**Specifications**

Model	Voltage DC [V]	Loading [A]	Max. Power [W]	Ripple / Noise [mV] p-p	Connector [mm]
SYS1638-0605-Wxx	5	0~1.2	6	250	2.1x5.5x11
SYS1638-0605-Wxx	5	0~1.2	6	250	Mini USB
SYS1638-0605-Wxx	5	0~1.2	6	250	Micro USB
SYS1638-0605-Wxx	5	0~1.2	6	250	USB inlet
SYS1638-0612-Wxx	12	0~0.5	6	200	2.1x5.5x11

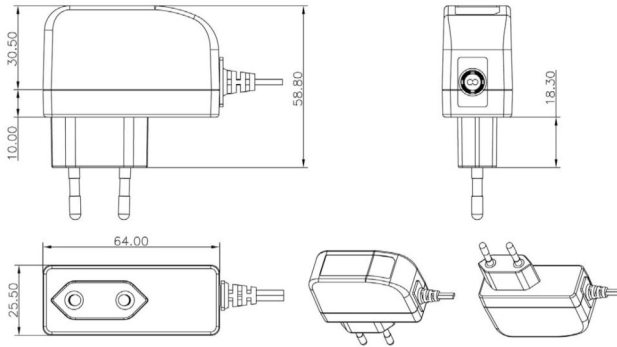
**Features:**

PSU housing = W2E - Europe | W3U - England | W2 - USA, Canada, Japan, Taiwan | W2C - China | W2K - Korea  
 Output connector: standard: 2.1 x 5.5 x 11mm or customer requirement | Regulated Output With Low Ripple Noise | Safety Agency Requirements and EMI/EMS Certified  
 Private Label Marking Available | Modified and Custom Design Available | 2 Years Warranty

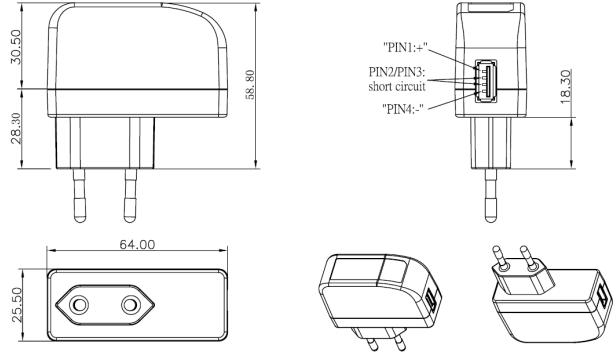
INPUT   OUTPUT	Voltage	90-264VAC
	Current	0.5A rms max   At AC low line input and DC output full load
	Inrush Current	40/60A max   At power supply cold start, ambient temperature 25°C@115VAC/230VVAC nominal AC input
	Power consumption	0.075W rms max.   At AC nominal input@output no load
	Efficiency	Meet ERP level VI
	Hold up time	5mS min   At AC nominal input @ output full load
	Turn delay	3000ms max.   3S max on the condition that input volotage 230V, full load
	Ripple noise	200mV
	Burn-in	Ambient temp: 35C+-3%/80% load/input voltage 230V/2 hours.
PROTECTION	Over current Short protection	Fold back   Auto recovery when abnormal circuit faults remove.
	Over Voltage	Voltage limit
	Input protection	1A/250V Fuse   The power supply shall be protected against power line surges and any abnormal condition
	Protection class	Class II
SAFETY	CE EMC	2014/30/EU
	CE LVD	2014/35/EU IEC 62368
	Safety approvals	CB   CE   GS   FCC   cULus
	Dielectric Strength (Hi-pot)	IEC 320 2pin primary to secondary 4000Vdc 10mA 1min
	Leakage current	0.25 mA max.
ENVIRONMENTAL	Temperature	Operating: 0~40°C / Storage: -20~85°C
	Humidity	Operating: 8%~90%RH / Storage:5%~95% RH
	Cooling	Natural Convection Cooling
OTHER	MTBF	MTBF shall be least 50,000 hours at 25°C (MIL-HDBK-217F)
	Weight	54g-87g
	Dimension	64x26x78 mm
	Packing	100 pcs   1 box

**Mechanical case specification:**

1) SYS1638-series (EU)

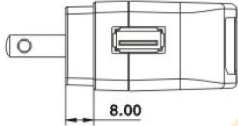


2) SYS1638-series (EU) / USB inlet

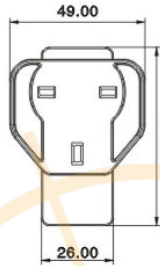


**Mechanical specification (country housing):**

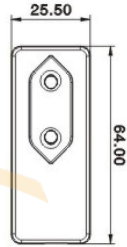
US / Japan type (W2)



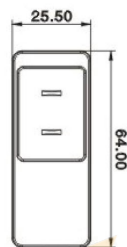
UK type (W3U)



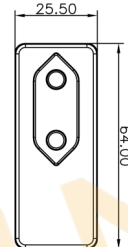
Europe type (W2E)



China type (W2C)

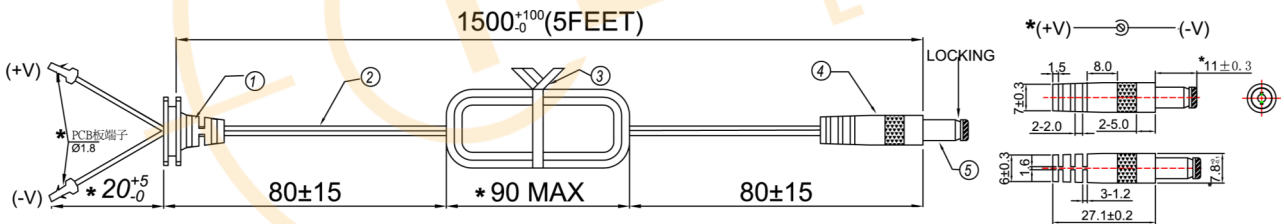


Korea (type W2K)

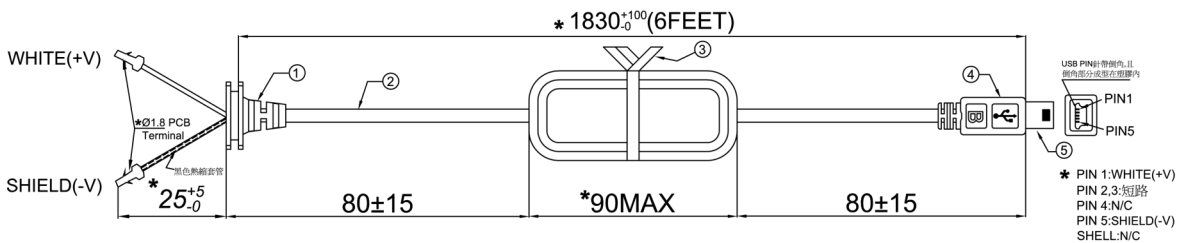


**Cable specification:**

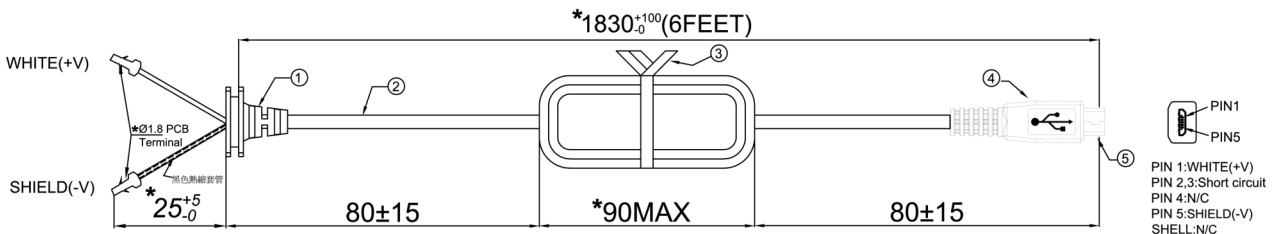
a) 2.1\*5.5\*11 (2468#22\*2C/ 5FT)



b) mini USB (1185#22\*1C+SHIELD / 6FT)



c) micro USB (1185#22\*1C+SHIELD / 6FT)



## **Disclaimer**

ALL PRODUCTS, PRODUCT SPECIFICATIONS AND DATA ARE SUBJECT TO CHANGE WITHOUT NOTICE TO IMPROVE RELIABILITY, FUNCTION OR DESIGN OR OTHERWISE.

Texim Europe B.V. its affiliates, agents, and employees, and all persons acting on its or their behalf (collectively, "Texim"), disclaim any and all liability for any errors, inaccuracies or incompleteness contained in any datasheet or in any other disclosure relating to any product.

Texim makes no warranty, representation or guarantee regarding the suitability of the products for any particular purpose or the continuing production of any product.

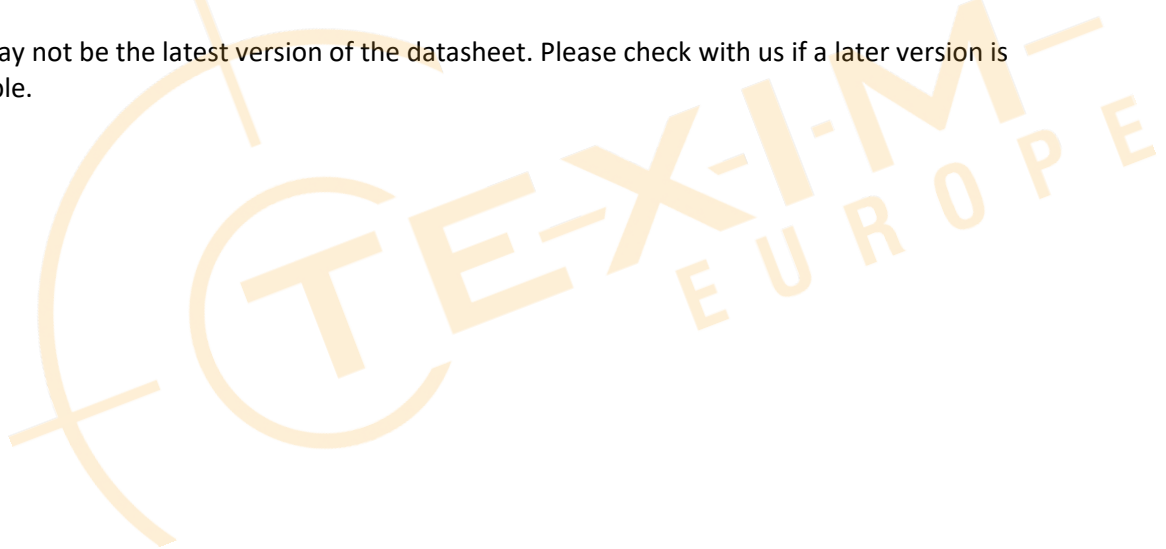
It is the customer's responsibility to validate that a particular product with the properties described in the product specification is suitable for use in a particular application.

Parameters provided in datasheets and / or specifications may vary in different applications and performance may vary over time.

All operating parameters, including typical parameters, must be validated for each customer application by the customer's technical experts.

Please contact us if you have any questions about the contents of the datasheet.

This may not be the latest version of the datasheet. Please check with us if a later version is available.





## Headquarters & Warehouse

Elektrostraat 17  
NL-7483 PG Haaksbergen  
The Netherlands

T: +31 (0)53 573 33 33  
E: info@texim-europe.com  
Homepage: www.texim-europe.com



### The Netherlands

Elektrostraat 17  
NL-7483 PG Haaksbergen

T: +31 (0)53 573 33 33  
E: nl@texim-europe.com



### Belgium

Zuiderlaan 14, box 10  
B-1731 Zellik

T: +32 (0)2 462 01 00  
E: belgium@texim-europe.com



### UK & Ireland

St Mary's House, Church Lane  
Carlton Le Moorland  
Lincoln LN5 9HS

T: +44 (0)1522 789 555  
E: uk@texim-europe.com



### Germany - North

Bahnhofstrasse 92  
D-25451 Quickborn

T: +49 (0)4106 627 07-0  
E: germany@texim-europe.com



### Germany - South

Martin-Kollar-Strasse 9  
D-81829 München

T: +49 (0)89 436 086-0  
E: muenchen@texim-europe.com



### Austria

Warwitzstrasse 9  
A-5020 Salzburg

T: +43 (0)662 216 026  
E: austria@texim-europe.com



### Nordic

Stockholmsgade 45  
2100 Copenhagen

T: +45 88 20 26 30  
E: nordic@texim-europe.com



### Italy

Via Matteotti 43  
IT-20864 Agrate Brianza (MB)

T: +39 (0)39 9713293  
E: italy@texim-europe.com