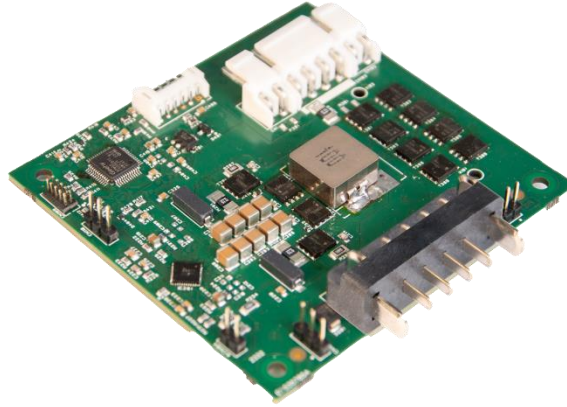


RRC-PMM35

Power Management Module for integration into all applications using the RRC3570

P/N: 110297



Distributed by:



Picture only for reference



The PMM35 enables internal charging of batteries and facilitates a seamless switch between mains and battery power, ensuring uninterrupted operation and reliable power backup in a space-saving design. Multiple PMMs can be used in parallel inside one device to combine more batteries.

Features & Benefits

- **Easy to design in**
 - Easily integrable into slot design
 - Integrated 90° battery connector for different connection options
 - Maximum flexibility: Various mounting options
 - Small footprint & slim design to not waste space within the application
- **Plug & Play available embedded charging solution for RRC3570**
 - Time to market: no development time, immediate product availability
 - No NRE: no additional development, approvals, or design costs
 - Low total cost of ownership
- **Power management functionality**
 - Seamless switch between mains and battery power
 - Up to 180W charging power in power supply mode
- **Fully Compliant with Smart Battery Specification**
 - SMBus communication with battery and host
- **Worldwide certified for industrial and medical applications**
- **Configurable**
 - Programmable limits for input current, charging current and charging voltage
 - Status signal can directly drive a LED

Characteristics

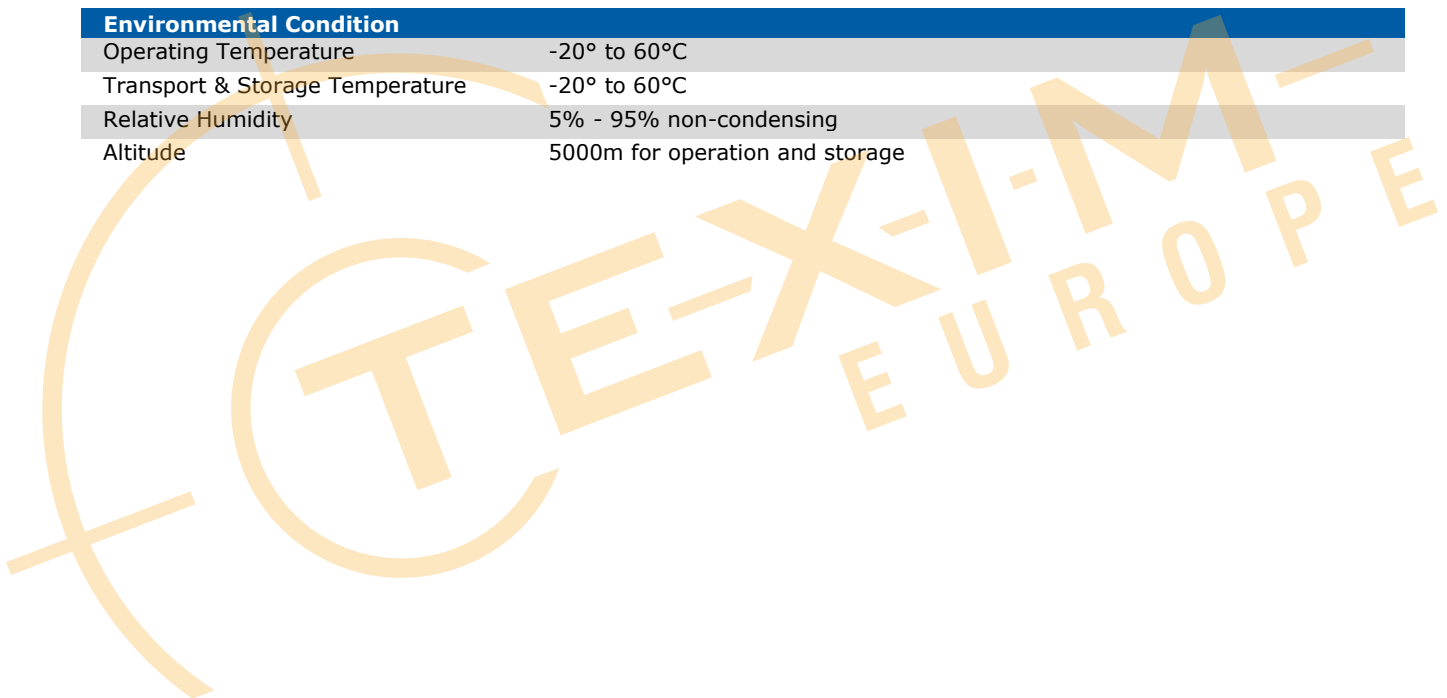
Input (Power Supply Output)	
Input voltage range	19.00V – 24.00VDC
Input power	480.00W max.
Input current	20.00A max.
Protection	Short current

Application Output	
Total output power	504.00W max. in battery mode 480.00W max. in power supply mode
Output current	20.00A max.

Power Management	
Automatic power source selection with seamless transition between ext. DC power supply and battery	

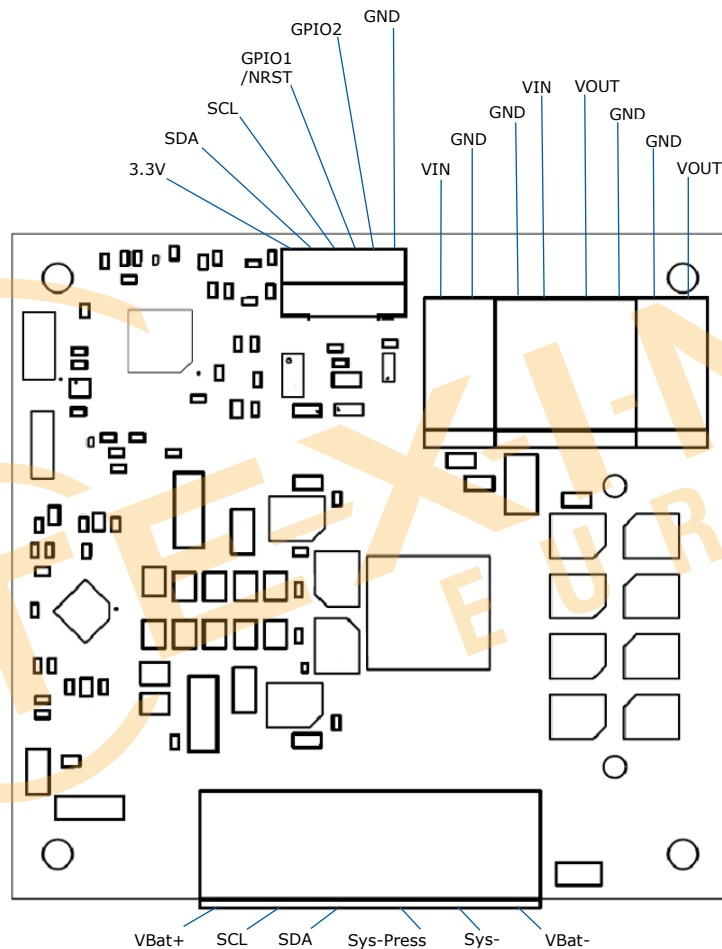
Battery Input / Output	
Battery charge voltage	Up to 29.40V
Battery charge current	Up to 6.00A
Battery charge power	Up to 180.00W
Battery discharge current	20.00A cont.
Protection	Battery short circuit, over temperature, over voltage, over current
Standby current	0.0015A

Environmental Condition	
Operating Temperature	-20° to 60°C
Transport & Storage Temperature	-20° to 60°C
Relative Humidity	5% - 95% non-condensing
Altitude	5000m for operation and storage



Regulatory Approvals	
International	CB
Europe	CE, UKCA (EMC)
USA	FCC (EMC), UR acc. UL60601-1
Environmental	RoHS REACH WEEE

Mechanical Details	
Board dimensions (LxWxH)	~80mm x 75mm, without cables and connectors With 4 mounting holes
Battery Connector	1x battery pack accessible via 90° mating connector for RRC35xx batteries
Input/Output Connector	1x 90° / 8pin (2pin+4pin+2pin) JST S2P-VH and JST S4P-VH style header on PCBA, 3.96mm pitch, 10A(AWG#16) per pin
Communication Interface	180° / 6pin JST S6B-PH style header on PCBA with 2xSMBus lines, 3.3V (<3mA), GND and 2xGPIO, 2mm pitch



To facilitate a fast design-in process for developers, RRC is providing 3D data of the power management module RRC-PMM35 and the battery housings of RRC smart battery. For an application note related to the power management module with additional details contact your RRC representative. For further information on the RRC smart batteries please refer to the RRC website (www.rrc-ps.com).

Germany/HQ

RRC power solutions GmbH
Technologiepark 1
66424 Homburg / Saar

+49 6841 98090
sales@rrc-ps.com

USA

RRC power solutions Inc.
18340 Yorba Linda Blvd.,
107-437
Yorba Linda, CA 92886

+1 714 777 3604
usa@rrc-ps.com

Hong Kong

RRC power solutions Ltd.
S-V,6/F, Valiant Industrial
Centre 2-12
Au Pui Wan Street
Fo Tan, N.T., Hong Kong

+852 2376 0106
hkrrc@rrc-ps.cn

China

RRC power solutions Ltd.
Room 1306, C Building,
Tianan International
Building, Renmin South
Road, Luohu District,
Shenzhen 518021

+86 755 8374 1908
hkrrc@rrc-ps.cn

Vietnam

RRC Power Solutions
Company Ltd.
Block C, Lot CN4
Dinh Vu – Cat Hai
Economic Zone,
Dong Hai 2 Ward
Hai An District 180000
Hai Phong City

vietnam@rrc-ps.com

Disclaimer

ALL PRODUCTS, PRODUCT SPECIFICATIONS AND DATA ARE SUBJECT TO CHANGE WITHOUT NOTICE TO IMPROVE RELIABILITY, FUNCTION OR DESIGN OR OTHERWISE.

Texim Europe B.V. its affiliates, agents, and employees, and all persons acting on its or their behalf (collectively, "Texim"), disclaim any and all liability for any errors, inaccuracies or incompleteness contained in any datasheet or in any other disclosure relating to any product.

Texim makes no warranty, representation or guarantee regarding the suitability of the products for any particular purpose or the continuing production of any product.

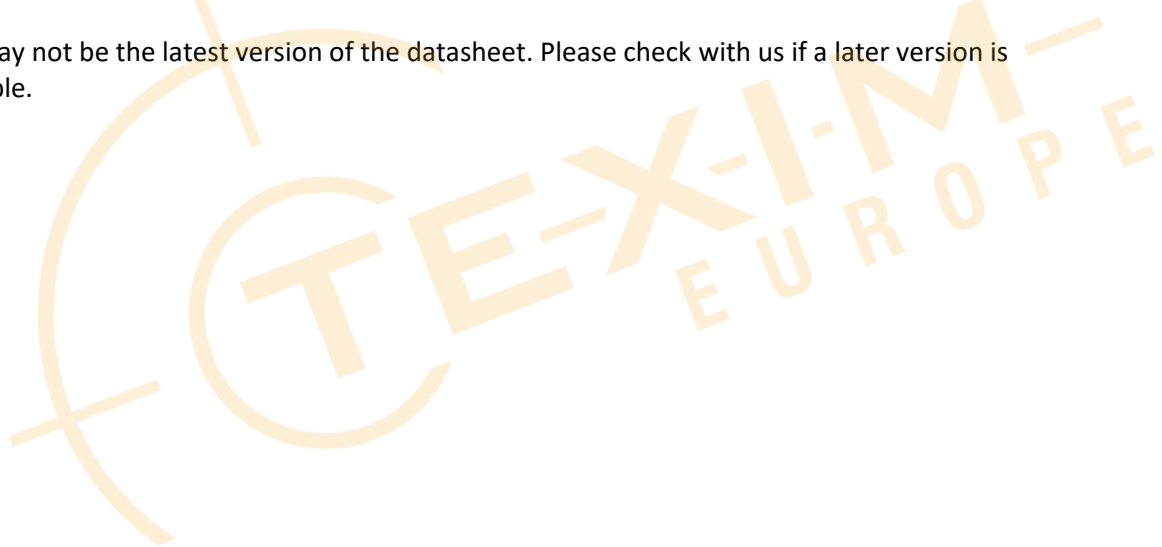
It is the customer's responsibility to validate that a particular product with the properties described in the product specification is suitable for use in a particular application.

Parameters provided in datasheets and / or specifications may vary in different applications and performance may vary over time.

All operating parameters, including typical parameters, must be validated for each customer application by the customer's technical experts.

Please contact us if you have any questions about the contents of the datasheet.

This may not be the latest version of the datasheet. Please check with us if a later version is available.





Headquarters & Warehouse

Elektrostraat 17
NL-7483 PG Haaksbergen
The Netherlands

T: +31 (0)53 573 33 33
E: info@texim-europe.com
Homepage: www.texim-europe.com



The Netherlands

Elektrostraat 17
NL-7483 PG Haaksbergen

T: +31 (0)53 573 33 33
E: nl@texim-europe.com



Belgium

Zuiderlaan 14, box 10
B-1731 Zellik

T: +32 (0)2 462 01 00
E: belgium@texim-europe.com



UK & Ireland

St Mary's House, Church Lane
Carlton Le Moorland
Lincoln LN5 9HS

T: +44 (0)1522 789 555
E: uk@texim-europe.com



Germany - North

Bahnhofstrasse 92
D-25451 Quickborn

T: +49 (0)4106 627 07-0
E: germany@texim-europe.com



Germany - South

Martin-Kollar-Strasse 9
D-81829 München

T: +49 (0)89 436 086-0
E: muenchen@texim-europe.com



Austria

Warwitzstrasse 9
A-5020 Salzburg

T: +43 (0)662 216 026
E: austria@texim-europe.com



Nordic

Stockholmsgade 45
2100 Copenhagen

T: +45 88 20 26 30
E: nordic@texim-europe.com



Italy

Via Matteotti 43
IT-20864 Agrate Brianza (MB)

T: +39 (0)39 9713293
E: italy@texim-europe.com