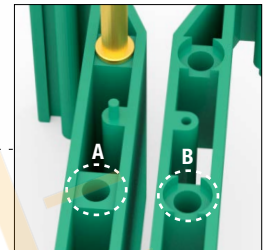
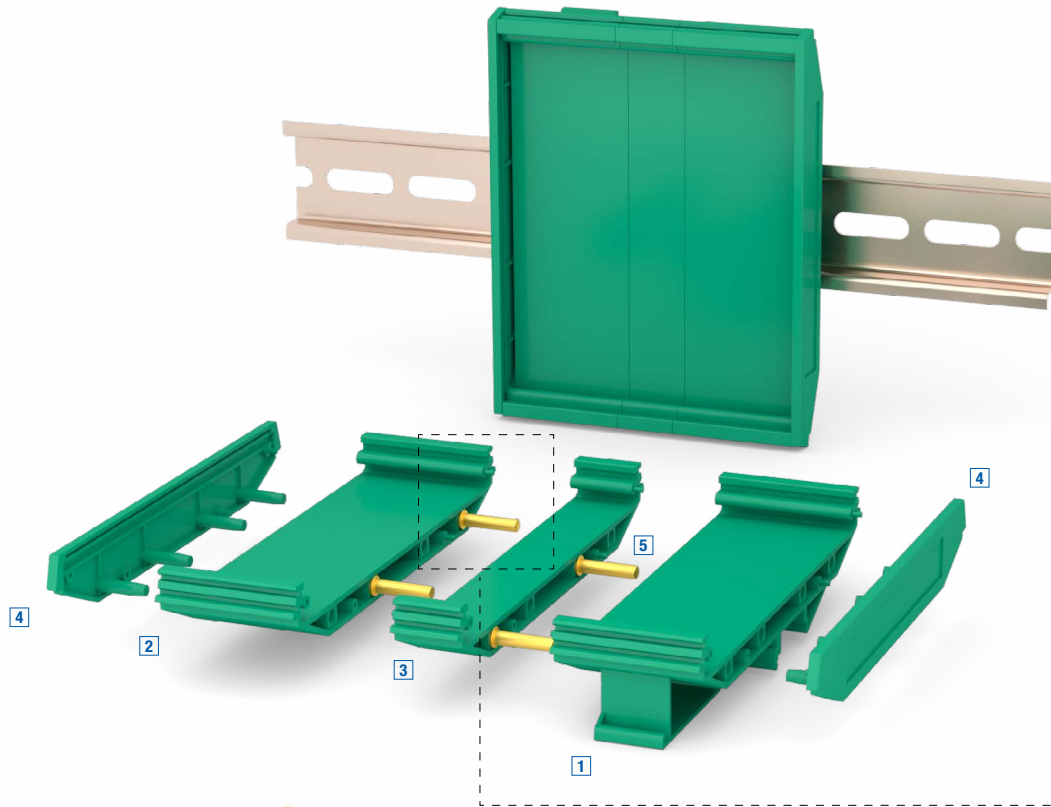


Distributed by:



**Attention**, hook the base elements by fastening side A (filled) with side B (empty).

### Functional characteristics

**Width of PCB:** 107.5 mm (4.232 in)  
**Support Type:** modular  
**Standard Colour:** green  
**Thickness of PCB:** 1.6 mm (.063 in)  
**Material:** PA6.6 (UL94-V0)

### Description

- 1 Base Element with Hook
- 2 Base Element
- 3 Base Element
- 4 Lateral Element
- 5 Stiffening Copper Alloy Element

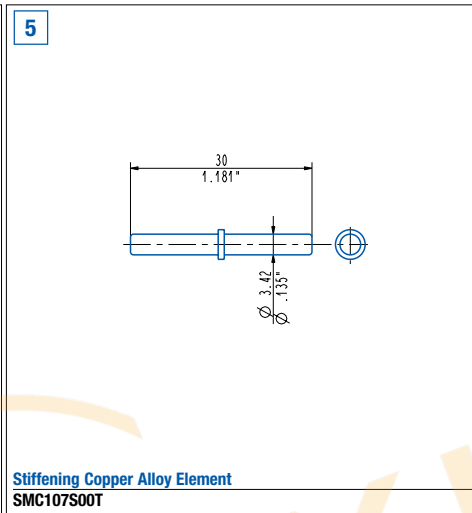
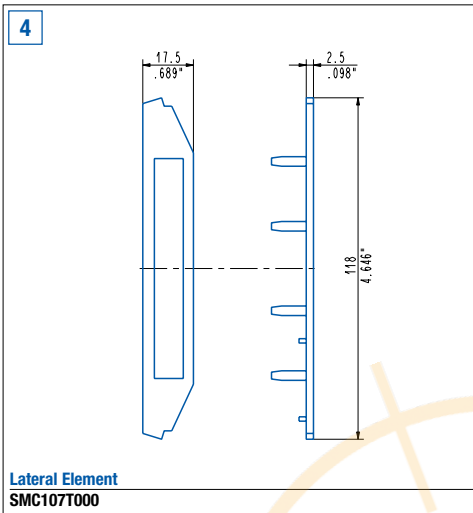
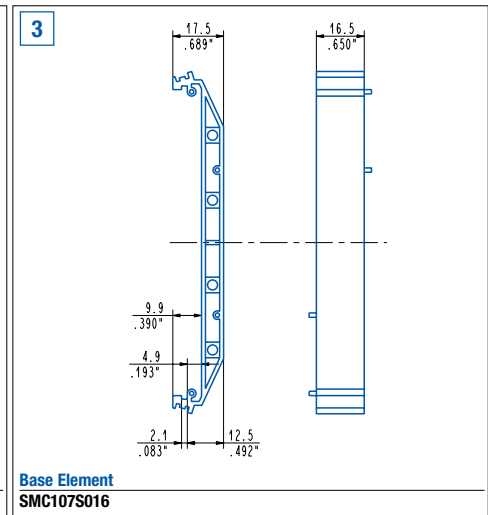
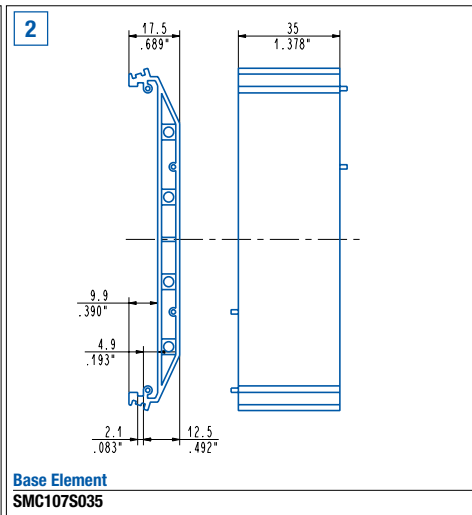
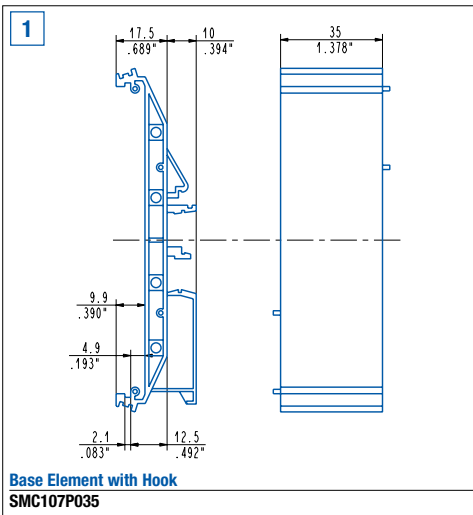
Part-Number	Pcs / pack
SMC107P035	50
SMC107S035	50
SMC107S016	50
SMC107T000	100
SMC107S00T	100

### Modular Supports for 107.5 mm (4.232 in) Wide Boards

**Base Elements** and **Lateral Elements** are combined together to obtain PCB Supports according to the table on the next page. At least one of the **Base Elements** must be provided with a **Hook**. 2 to 4 **Stiffening Copper Alloy Elements** must be inserted between any two **Base Elements**. For a correct mounting of the PCB Support, if an **SMC107S016 Base Element** is used, it **must be positioned between two SMC107S035 or SMC107P035 Base Elements**.

The following table shows the configuration of support elements and the corresponding total length of the assembled support and the length of the PCB.

Length of PCB		Length of support		Lateral Element	Base Element	Base Element	Base Element With Hook	Stiffening Copper Alloy Element
(mm)	(in)	(mm)	(in)	SMC107T000	SMC107S016	SMC107S035	SMC107P035	SMC107S00T
38.50	1.516	40.00	1.575	2			1	
55.00	2.165	56.50	2.224	2	1		1	
73.50	2.894	75.00	2.953	2			2	2 ÷ 4
90.00	3.543	91.50	3.602	2	1		2	4
108.50	4.272	110.00	4.331	2		1	2	4 ÷ 8
125.00	4.921	126.50	4.980	2	1	1	2	6 ÷ 8
143.50	5.650	145.00	5.709	2		2	2	6 ÷ 12
160.00	6.299	161.50	6.358	2	1	2	2	8 ÷ 12
178,50 mm	7.028 in	180,00 mm	7.087 in	2		3	2	8 ÷ 16



TEXIM-  
EUROPE

## **Disclaimer**

ALL PRODUCTS, PRODUCT SPECIFICATIONS AND DATA ARE SUBJECT TO CHANGE WITHOUT NOTICE TO IMPROVE RELIABILITY, FUNCTION OR DESIGN OR OTHERWISE.

Texim Europe B.V. its affiliates, agents, and employees, and all persons acting on its or their behalf (collectively, "Texim"), disclaim any and all liability for any errors, inaccuracies or incompleteness contained in any datasheet or in any other disclosure relating to any product.

Texim makes no warranty, representation or guarantee regarding the suitability of the products for any particular purpose or the continuing production of any product.

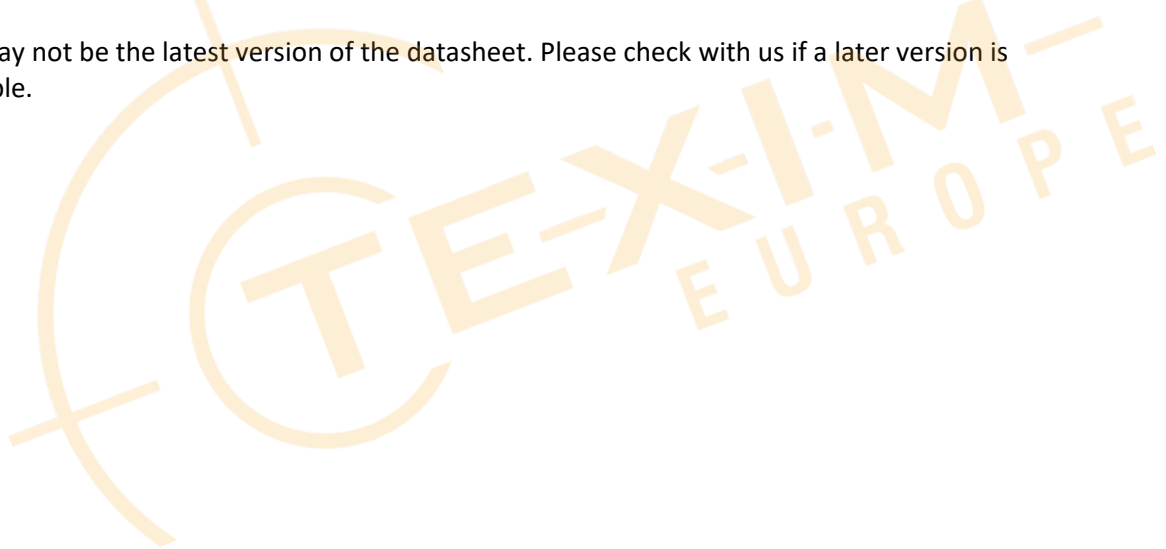
It is the customer's responsibility to validate that a particular product with the properties described in the product specification is suitable for use in a particular application.

Parameters provided in datasheets and / or specifications may vary in different applications and performance may vary over time.

All operating parameters, including typical parameters, must be validated for each customer application by the customer's technical experts.

Please contact us if you have any questions about the contents of the datasheet.

This may not be the latest version of the datasheet. Please check with us if a later version is available.





## Headquarters & Warehouse

Elektrostraat 17  
 NL-7483 PG Haaksbergen  
 The Netherlands

T: +31 (0)53 573 33 33  
 E: info@texim-europe.com  
 Homepage: www.texim-europe.com



### The Netherlands

Elektrostraat 17  
 NL-7483 PG Haaksbergen

T: +31 (0)53 573 33 33  
 E: nl@texim-europe.com



### Belgium

Zuiderlaan 14, box 10  
 B-1731 Zellik

T: +32 (0)2 462 01 00  
 E: belgium@texim-europe.com



### UK & Ireland

St Mary's House, Church Lane  
 Carlton Le Moorland  
 Lincoln LN5 9HS

T: +44 (0)1522 789 555  
 E: uk@texim-europe.com



### Germany - North

Bahnhofstrasse 92  
 D-25451 Quickborn

T: +49 (0)4106 627 07-0  
 E: germany@texim-europe.com



### Germany - South

Martin-Kollar-Strasse 9  
 D-81829 München

T: +49 (0)89 436 086-0  
 E: muenchen@texim-europe.com



### Austria

Warwitzstrasse 9  
 A-5020 Salzburg

T: +43 (0)662 216 026  
 E: austria@texim-europe.com



### Nordic

Stockholmsgade 45  
 2100 Copenhagen

T: +45 88 20 26 30  
 E: nordic@texim-europe.com



### Italy

Martin-Kollar-Strasse 9  
 D-81829 München

T: +49 (0)89 436 086-0  
 E: italy@texim-europe.com