

Functional characteristics

Width of PCB:	68 mm - 72 mm (2.677 in - 2.835 in)
Support Type:	extruded
Standard Colour:	green
Thickness of PCB:	1.6 ÷ 2.8 mm (.063 ÷ .110 in)
Material:	PA6.6 and PVC (UL94-V0)

Description

Description	Part-Number	Pcs / pack
1 Central Body	STC072S	50
	STC0722000	10
	STC072L	100
2 Left Lateral Element with Rail Hook	STC072TSX0	50
3 Right Lateral Element with Rail Hook	STC072TDX0	50
4 DIN Rail Hook	STC072P011	50
5 Head Without Rail Hook	STC072T000	100
6 Screw for Head Fastening	STC000V015	100
7 Screw for Head Fastening	STC000V025	100
8 Bracket for Mounting on the Wall	STC000F000	100
9 Size of STD Adapter for 68 mm (2.677 in) Boards	STC072A026	50

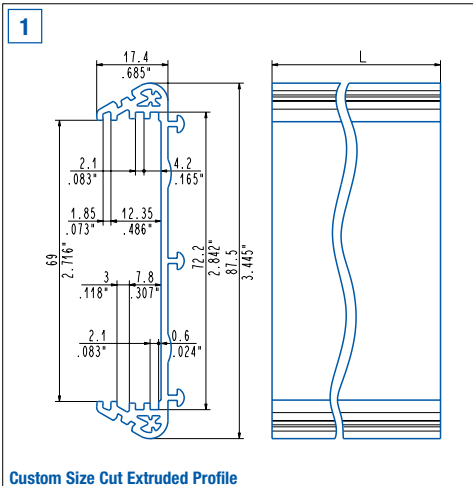
1

Custom Sized Cut Profile

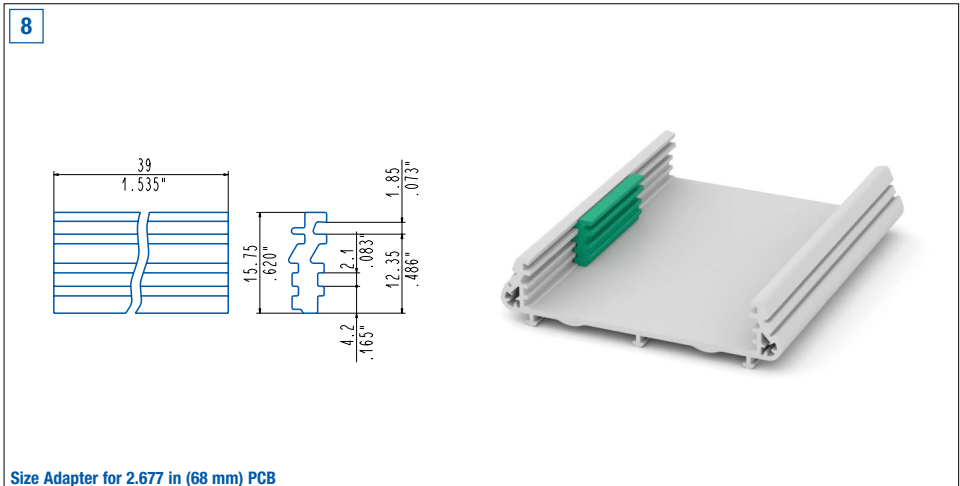
For a Custom Sized Cut Profile, the length of the Central Body must be equal to the length of the PCB minus 3.5 mm (.138 inch). It's advised to round off the figure to the higher whole number. The length of the support, including the Lateral Elements, is equal to the length of the Profile plus 6 mm (.236 inch).

Example

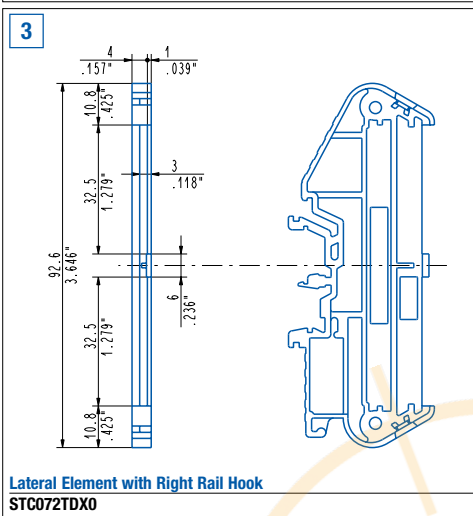
For PCB		Cut Profile sizes L (1)		Length of support con aggancio guida DIN		Part-Number	Pcs / pack
(mm)	(in)	(mm)	(in)	(mm)	(in)		
20,00	.787	16,50	.650	22,50	.886	STC072S016	50
31,25	1.230	27,75	1.093	33,75	1.329	STC072S028	50
42,50	1.673	39,00	1.535	45,00	1.772	STC072S039	50
53,75	2.116	50,25	1.978	56,25	2.215	STC072S050	50
65,00	2.559	61,50	2.421	67,50	2.657	STC072S061	50
76,25	3.002	72,75	2.864	78,75	3.100	STC072S073	50
87,50	3.445	84,00	3.307	90,00	3.543	STC072S084	50
98,75	3.888	95,25	3.750	101,25	3.986	STC072S095	50
110,00	4.331	106,50	4.193	112,50	4.429	STC072S106	50
121,25	4.774	117,75	4.636	123,75	4.872	STC072S118	50
132,50	5.217	129,00	5.079	135,00	5.315	STC072S129	50
143,75	5.659	140,25	5.522	146,25	5.758	STC072S140	50
155,00	6.102	151,50	5.965	157,50	6.201	STC072S151	50
166,25	6.545	162,75	6.407	168,75	6.644	STC072S163	50
177,50	6.988	174,00	6.850	180,00	7.087	STC072S174	50
-----	-----	Profile for PCB with L = 2 m (78.740 in)		-----	-----	STC0722000	10
L (PCB)	L (PCB)	L(5) = L (PCB) -3,5	L = L (PCB) -1,38	L + 6	L +.236	STC072L_ _ _	100



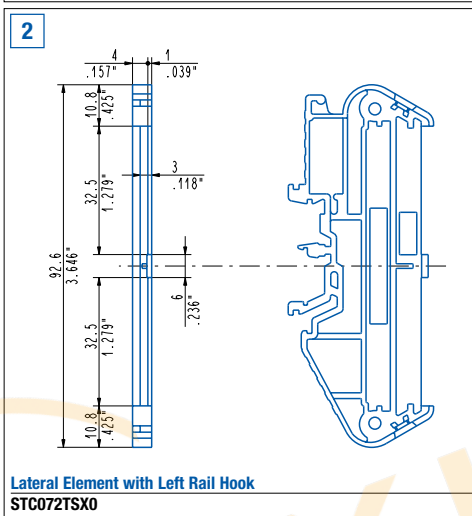
Custom Size Cut Extruded Profile
STC072S_ _ , STC0722000 , STC072L_ _ _



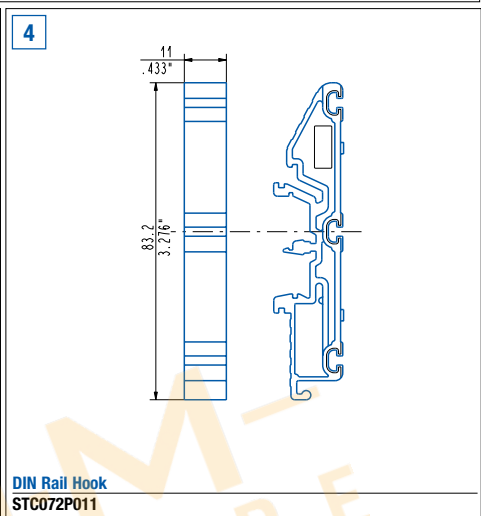
Size Adapter for 2.677 in (68 mm) PCB
STC072A026



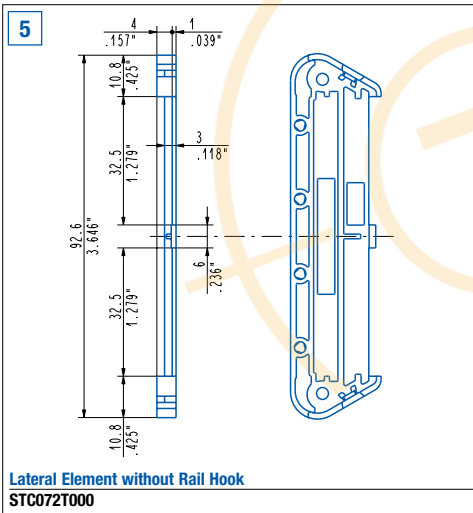
Lateral Element with Right Rail Hook
STC072TDX0



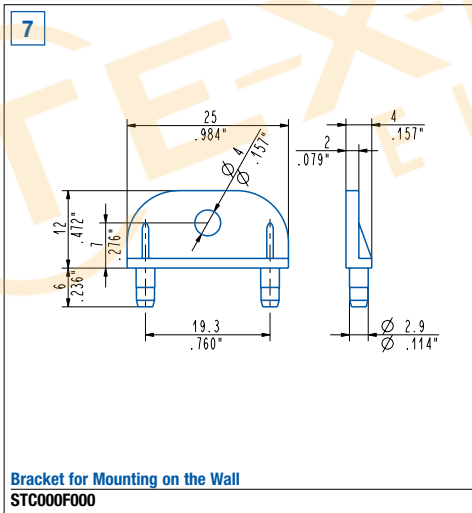
Lateral Element with Left Rail Hook
STC072TSX0



DIN Rail Hook
STC072P011



Lateral Element without Rail Hook
STC072T000



Bracket for Mounting on the Wall
STC000F000

Disclaimer

ALL PRODUCTS, PRODUCT SPECIFICATIONS AND DATA ARE SUBJECT TO CHANGE WITHOUT NOTICE TO IMPROVE RELIABILITY, FUNCTION OR DESIGN OR OTHERWISE.

Texim Europe B.V. its affiliates, agents, and employees, and all persons acting on its or their behalf (collectively, "Texim"), disclaim any and all liability for any errors, inaccuracies or incompleteness contained in any datasheet or in any other disclosure relating to any product.

Texim makes no warranty, representation or guarantee regarding the suitability of the products for any particular purpose or the continuing production of any product.

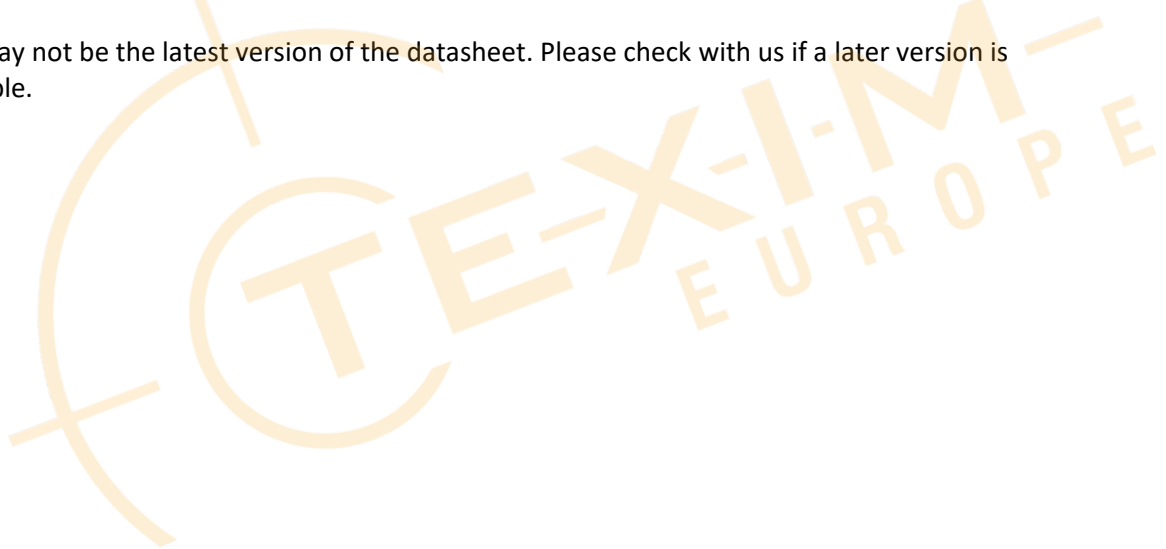
It is the customer's responsibility to validate that a particular product with the properties described in the product specification is suitable for use in a particular application.

Parameters provided in datasheets and / or specifications may vary in different applications and performance may vary over time.

All operating parameters, including typical parameters, must be validated for each customer application by the customer's technical experts.

Please contact us if you have any questions about the contents of the datasheet.

This may not be the latest version of the datasheet. Please check with us if a later version is available.





Headquarters & Warehouse

Elektrostraat 17
 NL-7483 PG Haaksbergen
 The Netherlands

T: +31 (0)53 573 33 33
 E: info@texim-europe.com
 Homepage: www.texim-europe.com



The Netherlands

Elektrostraat 17
 NL-7483 PG Haaksbergen

T: +31 (0)53 573 33 33
 E: nl@texim-europe.com



Belgium

Zuiderlaan 14, box 10
 B-1731 Zellik

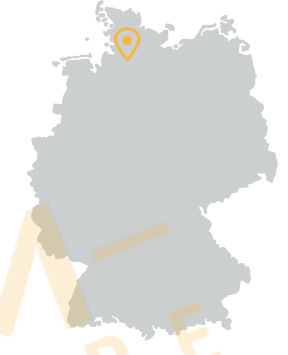
T: +32 (0)2 462 01 00
 E: belgium@texim-europe.com



UK & Ireland

St Mary's House, Church Lane
 Carlton Le Moorland
 Lincoln LN5 9HS

T: +44 (0)1522 789 555
 E: uk@texim-europe.com



Germany - North

Bahnhofstrasse 92
 D-25451 Quickborn

T: +49 (0)4106 627 07-0
 E: germany@texim-europe.com



Germany - South

Martin-Kollar-Strasse 9
 D-81829 München

T: +49 (0)89 436 086-0
 E: muenchen@texim-europe.com



Austria

Warwitzstrasse 9
 A-5020 Salzburg

T: +43 (0)662 216 026
 E: austria@texim-europe.com



Nordic

Stockholmsgade 45
 2100 Copenhagen

T: +45 88 20 26 30
 E: nordic@texim-europe.com



Italy

Martin-Kollar-Strasse 9
 D-81829 München

T: +49 (0)89 436 086-0
 E: italy@texim-europe.com