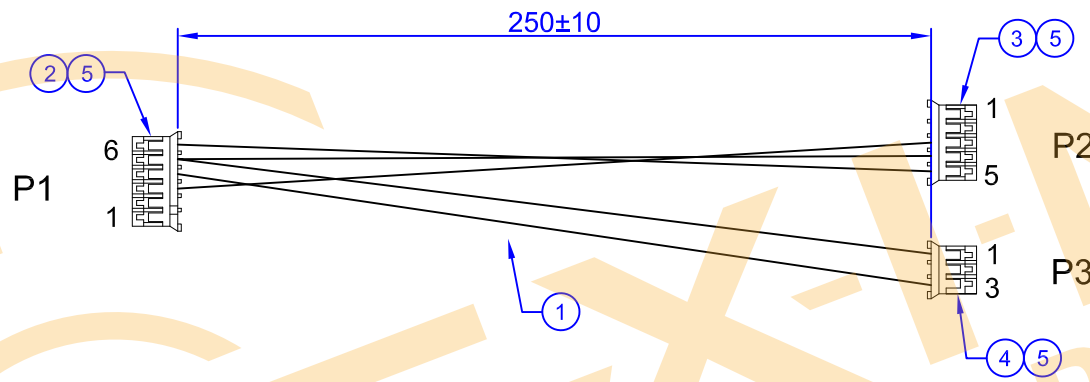


P1	T	FUNCTION	COLOR	P2	P3
PIN NO#				PIN NO#	PIN NO#
1		SCL I2C clock		-	-
2		SDA I2C data		-	-
3		IR remote	BROWN(棕)	3	-
4		ADC	ORANGE(橙)	-	3
5		GND	BLACK(黑)	4	1
6		+5V	RED(红)	5	-

Distributed by www.texim-europe.com

RFQ DATE	2024/12/23	
PROJECT NAME	JuTouch	
CPU BOARD		
DISPLAY		
REVISION	CHANGED RECORDS	DATE
1.0	FIRST VERSION	2024/12/27



RoHS Compliant

NOTE:
ELECTRICAL TEST:
(1) 100% CONDUCTIVITY TEST PASSED,
NO OPEN, SHORT, MIS-WIRE
(2) CONTACT RESISTANCE: 3Ω MAX.
(3) INSULATION RESISTANCE: 10MΩ MIN
(4) CONTACT VOLTAGE: DC 300V

Unit of length:mm

ITEM	PART	SPEC	Q'TY
5	TERMINAL	A2001TF-PT1 OR EQUIV	9PCS
4	HOUSING	A2001H-3P(PHR) 2.0PITCH OR EQUIV	1PC
3	HOUSING	A2001H-5P(PHR) 2.0PITCH OR EQUIV	1PC
2	HOUSING	A2001H-6P(PHR) 2.0PITCH OR EQUIV	1PC
1	WIRE	UL1061 28AWG	5PCS

Texim Europe B.V			
CUSTOMER			
PART NUMBER	N0328070250R		
DESCRIPTION	Light sensor and IR cable, 250mm		
REV	1.0	DATE	2024/12/27 00
		PAGE	1/1
VIEW		CREATED BY	THOMAS WANG

Disclaimer

ALL PRODUCTS, PRODUCT SPECIFICATIONS AND DATA ARE SUBJECT TO CHANGE WITHOUT NOTICE TO IMPROVE RELIABILITY, FUNCTION OR DESIGN OR OTHERWISE.

Texim Europe B.V. its affiliates, agents, and employees, and all persons acting on its or their behalf (collectively, "Texim"), disclaim any and all liability for any errors, inaccuracies or incompleteness contained in any datasheet or in any other disclosure relating to any product.

Texim makes no warranty, representation or guarantee regarding the suitability of the products for any particular purpose or the continuing production of any product.

It is the customer's responsibility to validate that a particular product with the properties described in the product specification is suitable for use in a particular application.

Parameters provided in datasheets and / or specifications may vary in different applications and performance may vary over time.

All operating parameters, including typical parameters, must be validated for each customer application by the customer's technical experts.

Please contact us if you have any questions about the contents of the datasheet.

This may not be the latest version of the datasheet. Please check with us if a later version is available.



Headquarters & Warehouse

Elektrostraat 17
 NL-7483 PG Haaksbergen
 The Netherlands

T: +31 (0)53 573 33 33
 E: info@texim-europe.com
 Homepage: www.texim-europe.com



The Netherlands

Elektrostraat 17
 NL-7483 PG Haaksbergen

T: +31 (0)53 573 33 33
 E: nl@texim-europe.com



Belgium

Zuiderlaan 14, box 10
 B-1731 Zellik

T: +32 (0)2 462 01 00
 E: belgium@texim-europe.com



UK & Ireland

St Mary's House, Church Lane
 Carlton Le Moorland
 Lincoln LN5 9HS

T: +44 (0)1522 789 555
 E: uk@texim-europe.com



Germany - North

Bahnhofstrasse 92
 D-25451 Quickborn

T: +49 (0)4106 627 07-0
 E: germany@texim-europe.com



Germany - South

Martin-Kollar-Strasse 9
 D-81829 München

T: +49 (0)89 436 086-0
 E: muenchen@texim-europe.com



Austria

Warwitzstrasse 9
 A-5020 Salzburg

T: +43 (0)662 216 026
 E: austria@texim-europe.com



Nordic

Stockholmsgade 45
 2100 Copenhagen

T: +45 88 20 26 30
 E: nordic@texim-europe.com



Italy

Martin-Kollar-Strasse 9
 D-81829 München

T: +49 (0)89 436 086-0
 E: italy@texim-europe.com