

## VCI-AR0522-CB

- onsemi AR0522 5MP Rolling Shutter Sensor
- Near Infra-Red Enhancement for Outdoor Applications
- Designed for Low Light Applications
- C-Mount for Interchangeable Lenses
- UVC USB Type-C 5 Gbps Connector
- Plug & Play with Windows & Linux OS
- Comes with VizionViewer™ Configuration Utility and VizionSDK



Distributed by:



## Specifications

### Camera Information

CMOS Sensor	onsemi AR0522
Active Pixels	2592 (H) x 1944 (V) = 5MP
Pixel Size	2.2 $\mu\text{m}$ x 2.2 $\mu\text{m}$
Optical Format	1/2.5" (Diagonal 7.13 mm)
Shutter Type	Rolling Shutter
Chromaticity	Color / Mono
Illuminated type	Back Side Illuminated (BSI)
Maximum Frame Rate (MJPEG)	2592 x 1944 @ 60 fps 2560 x 1440 @ 60 fps 1920 x 1080 @ 60 fps 1280 x 960 @ 80 fps 1280 x 720 @ 80 fps 640 x 480 @ 120 fps
Maximum Frame Rate (UYVY)	2592 x 1944 @ 24 fps 2560 x 1440 @ 32 fps 1920 x 1080 @ 60 fps 1280 x 960 @ 60 fps 1280 x 720 @ 60 fps 640 x 480 @ 120 fps
Maximum S/N Ratio	40 dB
Output Format	MJPEG (JPG) UYVY

### Camera Interface

Connector	USB Type-C 5 Gbps
-----------	-------------------

### Power

Supply Voltage	5V $\pm$ 5%
Power Consumption	UYVY 2592 x 1944 @ 24 fps $\leq$ 1.2W
Standby Power	$\leq$ 0.1W Standby

### Software Support

Operation System	UVC Plug-and-play Windows 10/11 Linux Yocto
Software	VizionViewer™
Development SDK	VizionSDK

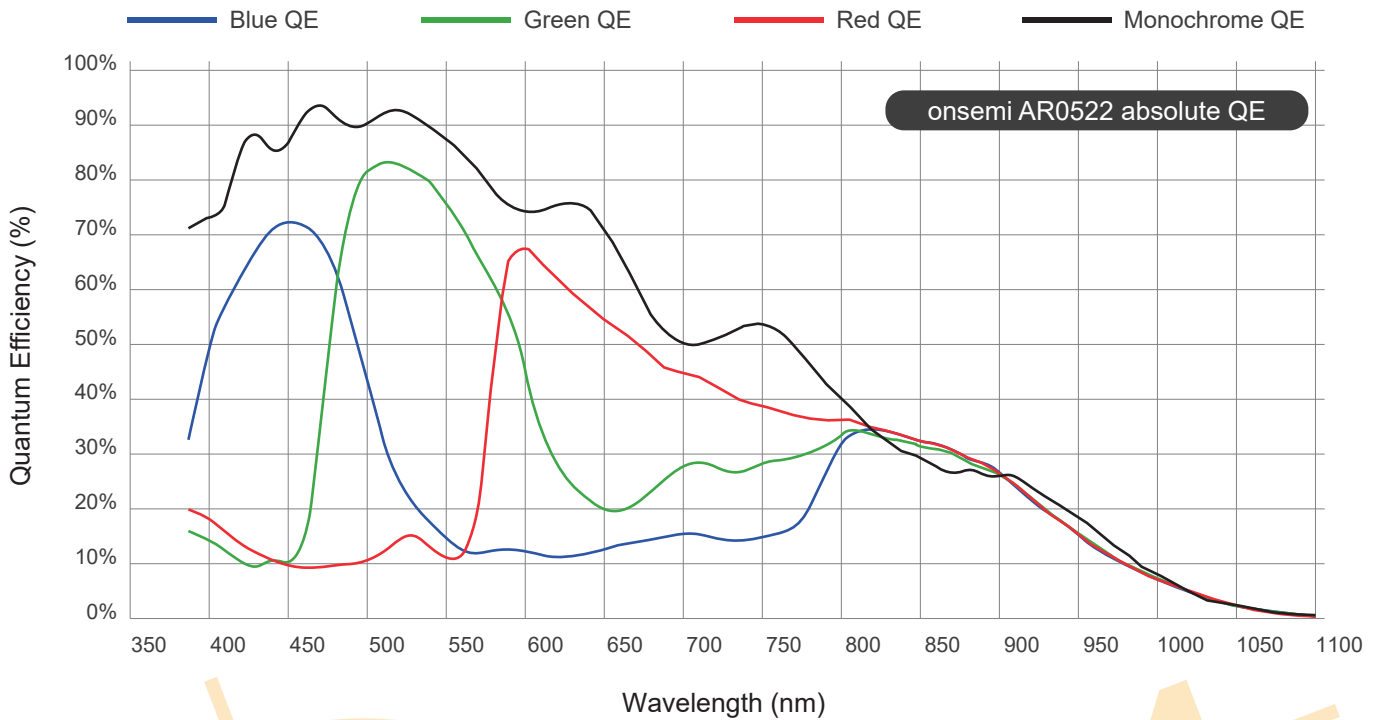
### Environmental and Mechanical

Dimensions	29.5(W) x 29.5(H) x 33.8(D) mm
Weight	39 grams
Relative Humidity	10 to 90 %
MTBF	50,000 Hours
Shock	15G half-sine 11 ms duration
Operating Temperature	-30°C to +70°C
Vibration	1 Grms random 5-500Hz hr/axis

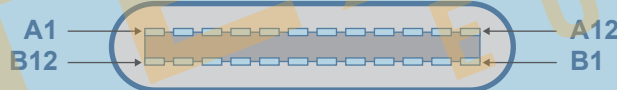
### Certification and Compliance

Certification	Compliant with CE / FCC / RoHS / REACH directives
---------------	---

## Spectral Characteristics

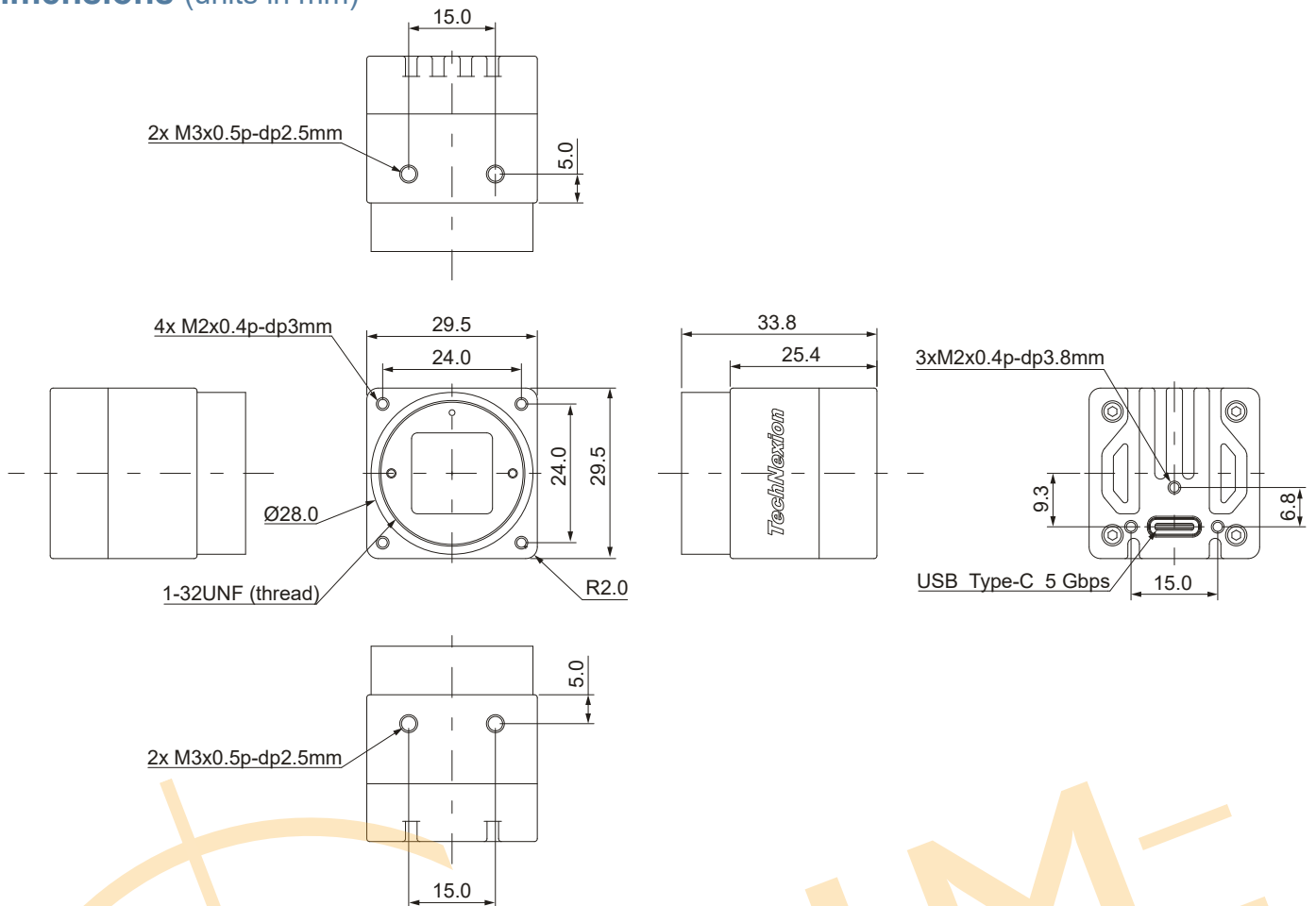


## Connector Pin Definition

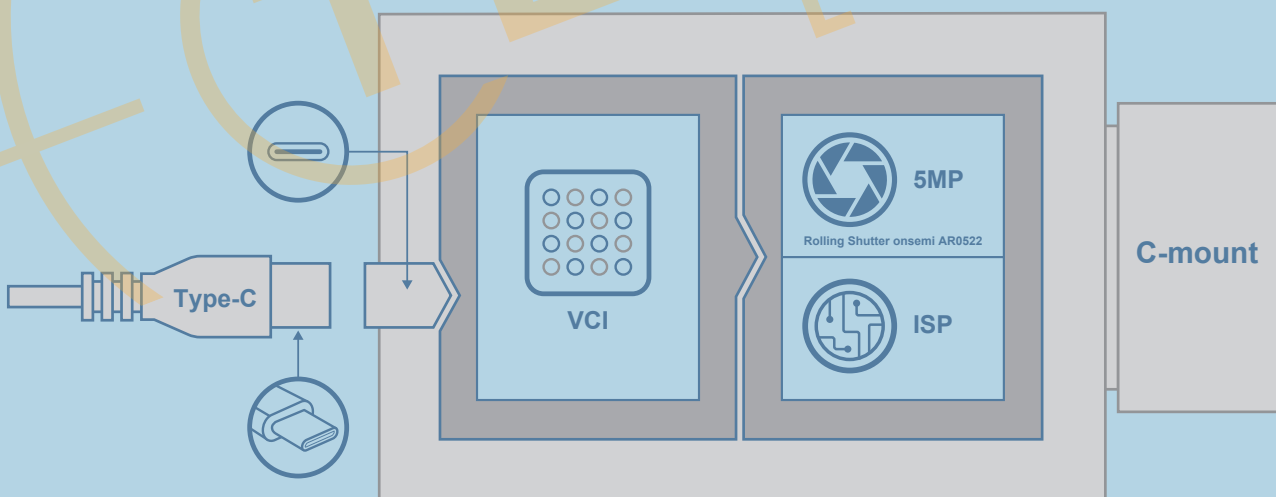


<b>A1</b>	GND	<b>B12</b>	GND
<b>A2</b>	TXP1	<b>B11</b>	RXP1
<b>A3</b>	TXN1	<b>B10</b>	RXN1
<b>A4</b>	VBUS1	<b>B9</b>	VBUS3
<b>A5</b>	CC1	<b>B8</b>	SBU2
<b>A6</b>	DP1	<b>B7</b>	DN2
<b>A7</b>	DN1	<b>B6</b>	DP2
<b>A8</b>	SBU1	<b>B5</b>	CC2
<b>A9</b>	VBUS2	<b>B4</b>	VBUS4
<b>A10</b>	RXN2	<b>B3</b>	TXN2
<b>A11</b>	RXP2	<b>B2</b>	TXP2
<b>A12</b>	GND	<b>B1</b>	GND

## Dimensions (units in mm)



## Block Diagram



## Order Information

VCI-AR0522-x-CB-xx

### Part Number Rules

Option	Code	Description
Chromaticity	C	Color
	M	Monochrome
Filter	-	-
	IR	IR Cut Filter 650nm

For further customization or questions about orders, contact your TechNexion sales representative.

### Optional Accessories

#### 300-MOUNT-BRACKET

An easy to attach A-Mount bracket for TechNexion 30mm enclosed cameras.



300-MOUNT-BRACKET



300-MOUNT-BRACKET on tripod  
(tripod not included)

### Custom Lens Solutions



Our C-mount cameras can be paired with a variety of off-the-shelf lenses. Customers are welcome to choose their own, or alternatively our engineers are on standby to assist with selecting the right camera lens for different applications.

For more information. Please contact your TechNexion sales representative to start a discussion on how we can help you.

## **Disclaimer**

ALL PRODUCTS, PRODUCT SPECIFICATIONS AND DATA ARE SUBJECT TO CHANGE WITHOUT NOTICE TO IMPROVE RELIABILITY, FUNCTION OR DESIGN OR OTHERWISE.

Texim Europe B.V. its affiliates, agents, and employees, and all persons acting on its or their behalf (collectively, "Texim"), disclaim any and all liability for any errors, inaccuracies or incompleteness contained in any datasheet or in any other disclosure relating to any product.

Texim makes no warranty, representation or guarantee regarding the suitability of the products for any particular purpose or the continuing production of any product.

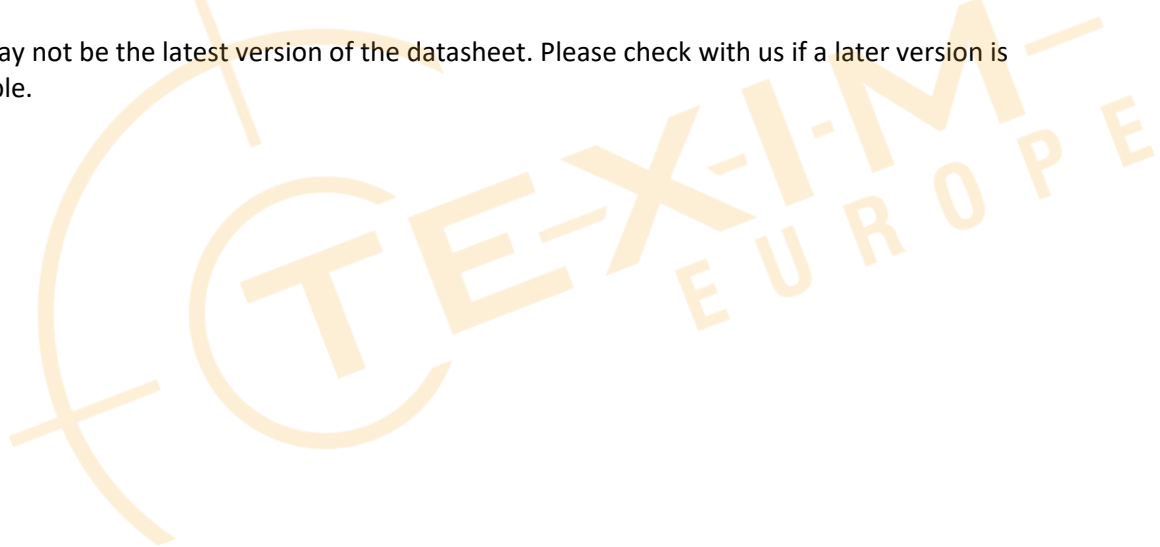
It is the customer's responsibility to validate that a particular product with the properties described in the product specification is suitable for use in a particular application.

Parameters provided in datasheets and / or specifications may vary in different applications and performance may vary over time.

All operating parameters, including typical parameters, must be validated for each customer application by the customer's technical experts.

Please contact us if you have any questions about the contents of the datasheet.

This may not be the latest version of the datasheet. Please check with us if a later version is available.





## Headquarters & Warehouse

Elektrostraat 17  
 NL-7483 PG Haaksbergen  
 The Netherlands

T: +31 (0)53 573 33 33  
 E: info@texim-europe.com  
 Homepage: www.texim-europe.com



### The Netherlands

Elektrostraat 17  
 NL-7483 PG Haaksbergen

T: +31 (0)53 573 33 33  
 E: nl@texim-europe.com



### Belgium

Zuiderlaan 14, box 10  
 B-1731 Zellik

T: +32 (0)2 462 01 00  
 E: belgium@texim-europe.com



### UK & Ireland

St Mary's House, Church Lane  
 Carlton Le Moorland  
 Lincoln LN5 9HS

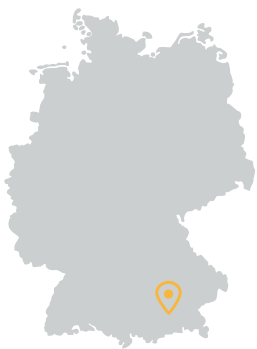
T: +44 (0)1522 789 555  
 E: uk@texim-europe.com



### Germany

Bahnhofstrasse 92  
 D-25451 Quickborn

T: +49 (0)4106 627 07-0  
 E: germany@texim-europe.com



### Germany

Martin-Kollar-Strasse 9  
 D-81829 München

T: +49 (0)89 436 086-0  
 E: muenchen@texim-europe.com



### Austria

Warwitzstrasse 9  
 A-5020 Salzburg

T: +43 (0)662 216 026  
 E: austria@texim-europe.com



### Nordic

Stockholmsgade 45  
 2100 Copenhagen

T: +45 88 20 26 30  
 E: nordic@texim-europe.com



### Italy

Martin-Kollar-Strasse 9  
 D-81829 München

T: +49 (0)89 436 086-0  
 E: italy@texim-europe.com