



HDMI TFT Module Specification

MODEL: HA-101XIEBOGA0-V

<◇> PRELIMINARY SPECIFICATION

<◆> APPROVAL SPECIFICATION

| |
|--------------------|
| CUSTOMER |
| |
| APPROVED BY |
| |
| DATE: |

| DESIGNED | CHECKED | APPROVED |
|----------|---------|----------|
| | | |



RECORD OF REVISION

| Version | Revised Date | Page | Content |
|---------|--------------|------|--------------|
| V1.0 | 2022/10/22 | -- | First Issued |
| | | | |
| | | | |
| | | | |





TABLE OF CONTENTS

| No. | Content | Page |
|-----|--|------|
| | HDMI TFT Module Specification | 1 |
| | TABLE OF CONTENTS | 3 |
| 1. | GENERAL DESCRIPTION | 4 |
| 2. | MECHANICAL SPECIFICATION | 5 |
| 3. | PIN DESCRIPTION | 6 |
| 4. | ABSOLUTE MAXIMUM RATINGS | 7 |
| 5. | BLOCK DIAGRAM | 8 |
| 6. | ELECTRICAL CHARACTERISTICS | 9 |
| 7. | OPTICAL CHARACTERISTICS | 10 |
| 8. | RELIABILITY | 13 |
| 9. | PRECAUTION RELATING PRODUCT HANDLING | 18 |





1. GENERAL DESCRIPTION

1.1 Description

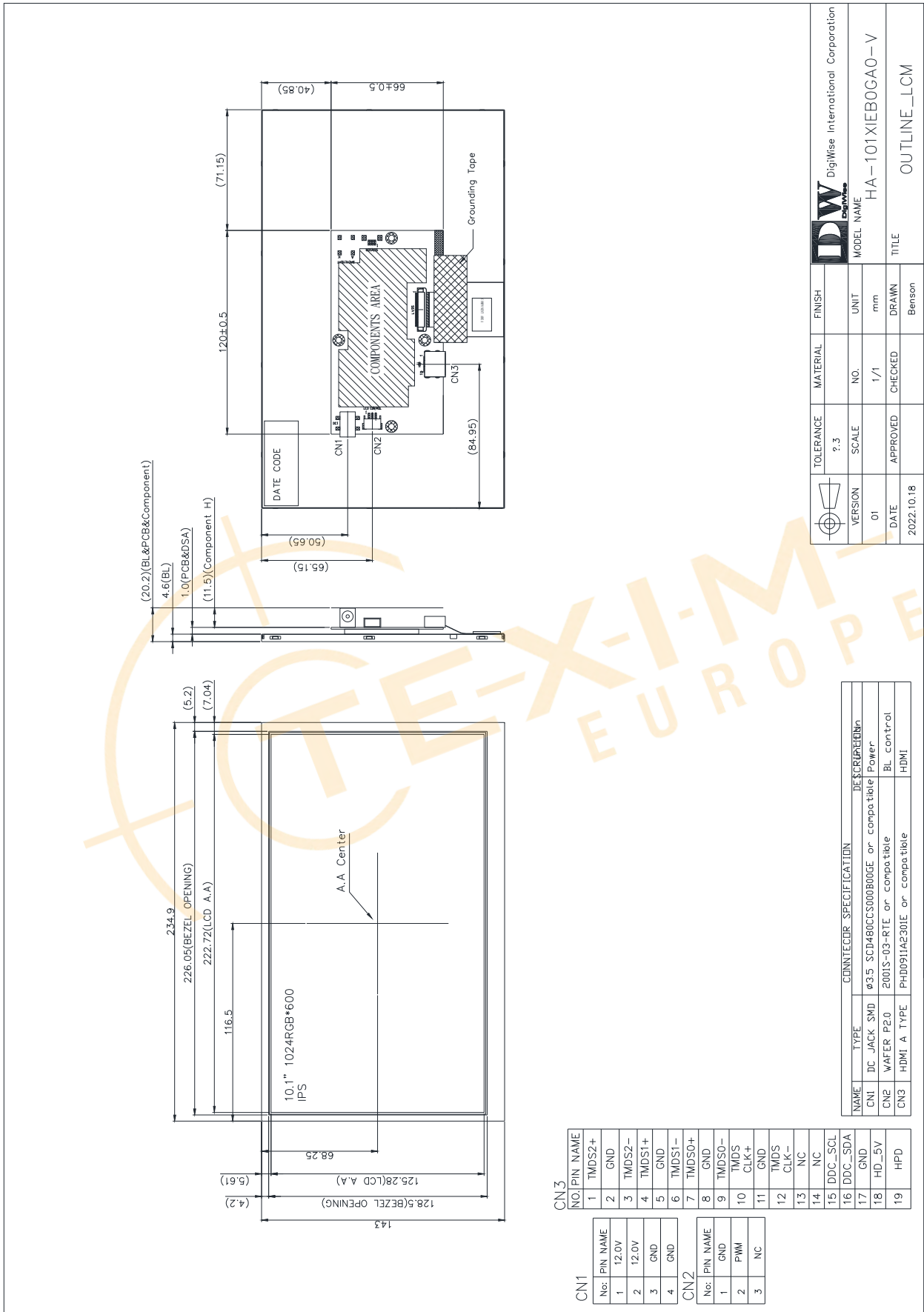
HA-101XIEBOGA0-V is a 10.1 (16:9) inch diagonally measured active display with high resolution WSVGA 1024x600 display and high brightness. This model is composed of a TFT LCD panel, backlight system and HDMI. It is designed to make Raspberry Pi usage easy. You can simply use this TFT display with your Raspberry Pi, or also you can use this as computer display with any device which has HDMI output. This 10.1" TFT model comes in 1024x600 resolution that would be great for embedded computing usage too.

1.2 Features:

| No. | Item | Specification | Unit |
|-----|--------------------------------|-------------------------------------|-------------------|
| 1 | Panel Size | 10.1" | Inch |
| 2 | Number of Pixels | 1024 (W) x RGB x 600 (H) | Pixels |
| 3 | Active Area | 222.72 (W) × 125.28 (H) | mm |
| 4 | Pixel Pitch | 0.2175 (W) x 0.2088 (H) | mm |
| 5 | Outline Dimension | 234.9 (W) × 143 (H) × 20.2 (T) | mm |
| 6 | Number of Colors | 16.7M | -- |
| 7 | Display Mode | IPS / Normally Black / Transmissive | -- |
| 8 | View Direction | Free direction | -- |
| 9 | Display Format | RGB vertical stripe | -- |
| 10 | Surface Treatment | Anti-Glare (3H) | -- |
| 11 | Contrast Ratio | 600 (Typ.) | -- |
| 12 | Luminance (cd/m ²) | 600 (Typ.) | cd/m ² |
| 13 | Video Input Interface | HDMI (Compliance HDMI V1.4) | -- |
| 14 | Backlight | White LED | -- |
| 15 | Operation Temperature | -20 ~ 70 | °C |
| 16 | Storage Temperature | -30 ~ 80 | °C |
| 17 | Weight | (290) | g |



2. MECHANICAL SPECIFICATION



| NO. | PIN NAME | DESCRIPTION |
|-----|-----------|-------------|
| 1 | TMDS2+ | |
| 2 | GND | |
| 3 | TMDS2- | |
| 4 | TMDS1+ | |
| 5 | GND | |
| 6 | TMDS1- | |
| 7 | TMDS0+ | |
| 8 | GND | |
| 9 | TMDS0- | |
| 10 | TMDS CLK+ | |
| 11 | GND | |
| 12 | TMDS CLK- | |
| 13 | NC | |
| 14 | NC | |
| 15 | DDC_SCL | |
| 16 | DDC_SDA | |
| 17 | GND | |
| 18 | HD_5V | |
| 19 | HPD | |

| NAME | TYPE | DESCRIPTION |
|------|-------------|--|
| CN1 | DC JACK_SMD | #3.5 SCD480CCS000B005E or compatible Power |
| CN2 | WAFFER P20 | 2001S-03-RTIE or compatible BL control |
| CN3 | HDMI A TYPE | PHD0911A230IE or compatible HDMI |

| SYMBOL | TOLERANCE | MATERIAL | FINISH |
|------------------|-----------|-------------|--------|
| | ±0.3 | | |
| VERSION | SCALE | NO. | UNIT |
| 01 | 1/1 | | mm |
| DATE | APPROVED | CHECKED | DRAWN |
| 2022.10.18 | | | Benson |
| MODEL NAME | | TITLE | |
| HA-101XIEBOGA0-V | | OUTLINE_LCM | |



3. PIN DESCRIPTION

3.1 Power Input(CN1) [DC JACK:SCD480CCS000B00GE or compatible]

| Pin No. | Symbol | I/O | Function | Note |
|---------|--------|-----|-------------------|-----------|
| 1 | 12V | P | Power Supply +12V | 12.0V |
| 2 | GND | P | Ground | |

3.2 Back-light Control(CN2) WAFER P2.0mm:2001S-03-RTE or compatible]

| Pin No. | Symbol | I/O | Function | Note |
|---------|--------|-----|---|------|
| 1 | GND | P | Ground | |
| 2 | PWM | I | Back-light Dimming control (internal pull up to 3.3V) | *1 |
| 3 | N.C. | - | N.C. | |

*1: When PWM not connected, back-light default is typical brightness.

3.3 HDMI (CN3) [HDMI A TYPE:PHD0911A2301E or compatible]

| Pin No. | Symbol | I/O | Function | Note |
|---------|-----------|-----|---------------------|------|
| 1 | TMDS 2+ | I | TMDS Data2+ | |
| 2 | GND | P | TMDS Data2 Shield | |
| 3 | TMDS 2- | I | TMDS Data2- | |
| 4 | TMDS 1+ | I | TMDS Data1+ | |
| 5 | GND | P | TMDS Data1 Shield | |
| 6 | TMDS 1- | I | TMDS Data1- | |
| 7 | TMDS 0+ | I | TMDS Data0+ | |
| 8 | GND | P | TMDS Data0 Shield | |
| 9 | TMDS 0- | I | TMDS Data0- | |
| 10 | TMDS CLK+ | I | TMDS Clock+ | |
| 11 | GND | P | TMDS Clock Shield | |
| 12 | TMDS CLK- | I | TMDS Clock- | |
| 13 | N.C. | - | N.C. | |
| 14 | N.C. | - | N.C. | |
| 15 | DDC_SCL | I | IIC SCL to EDID ROM | |
| 16 | DDC_SDA | I/O | IIC SDA to EDID ROM | |
| 17 | GND | P | DDC/CEC Ground | |
| 18 | HD_5V | P | +5V Power | |
| 19 | HPD | O | Hot Plug Detect | |



4. ABSOLUTE MAXIMUM RATINGS

4.1 Electrical Absolute Rating

4.1.1 HDMI TFT LCD Module

| Item | Symbol | Values | | Unit | Note |
|----------------------|--------|--------|------|------|------|
| | | Min | Max. | | |
| Power supply voltage | 12V | 10 | 14 | V | |

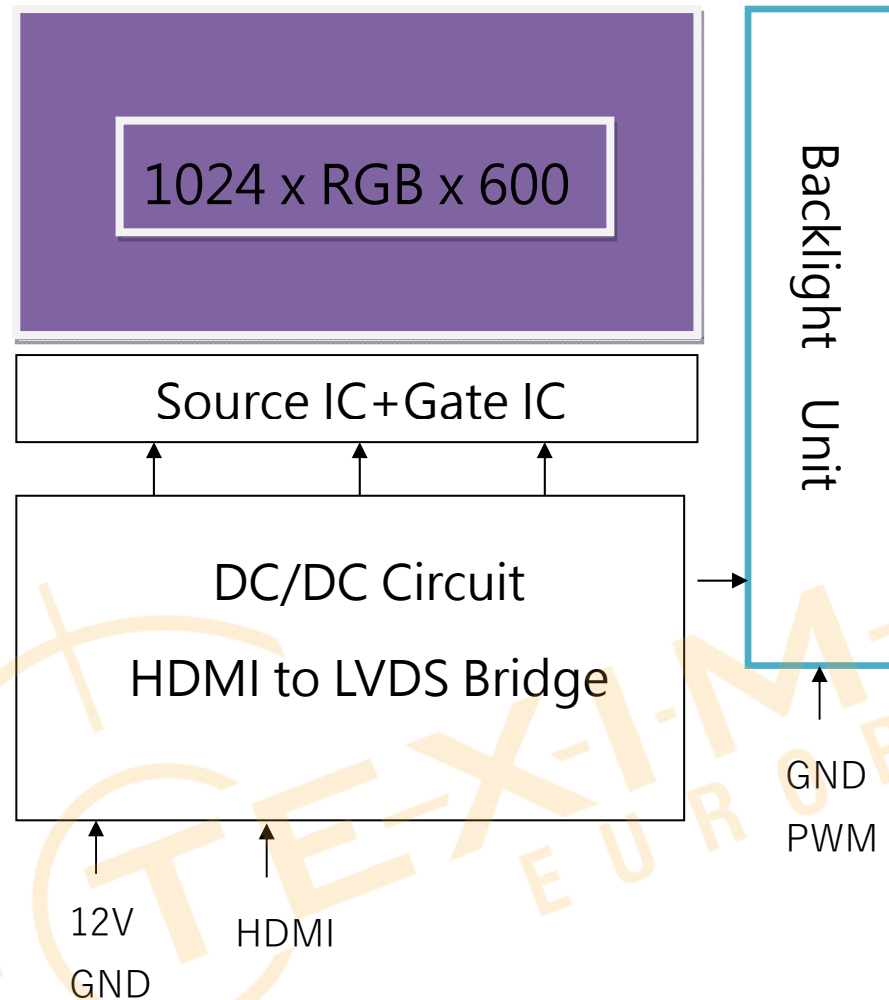
4.1.2 Environment Absolute Rating

| Item | Symbol | Values | | | Unit | Note |
|-----------------------|--------|--------|-----|------|------|---------------------|
| | | Min | Typ | Max. | | |
| Operating Temperature | Top | -20 | - | 70 | °C | Ambient temperature |
| Storage Temperature | Tst | -30 | - | 80 | °C | |



5. BLOCK DIAGRAM

5.1 TFT LCD Module





6. ELECTRICAL CHARACTERISTICS

6.1 HDMI TFT LCD Module

| Item | Symbol | Values | | | Unit | Note |
|---------------------|---------------------|--------|------|------|------|----------|
| | | Min | Typ. | Max. | | |
| Supply Voltage | 12V | 11 | 12 | 13 | V | |
| PWM frequency | | 100 | - | 10K | Hz | |
| PWM Duty | | 17 | - | 100 | % | <17%=OFF |
| PWM Dimming Voltage | V _{PWM-IH} | 3.3 | - | 8 | V | |
| | V _{PWM-IL} | - | 0.3 | - | V | |
| Supply Current | ICC(12V) | - | 360 | 410 | mA | |
| LED life time | | 40000 | - | - | Hr | (1) |

Note 1:

The "LED life time" is defined as the module brightness decrease to 50% original brightness that the ambient temperature is 25°C 60% RH.

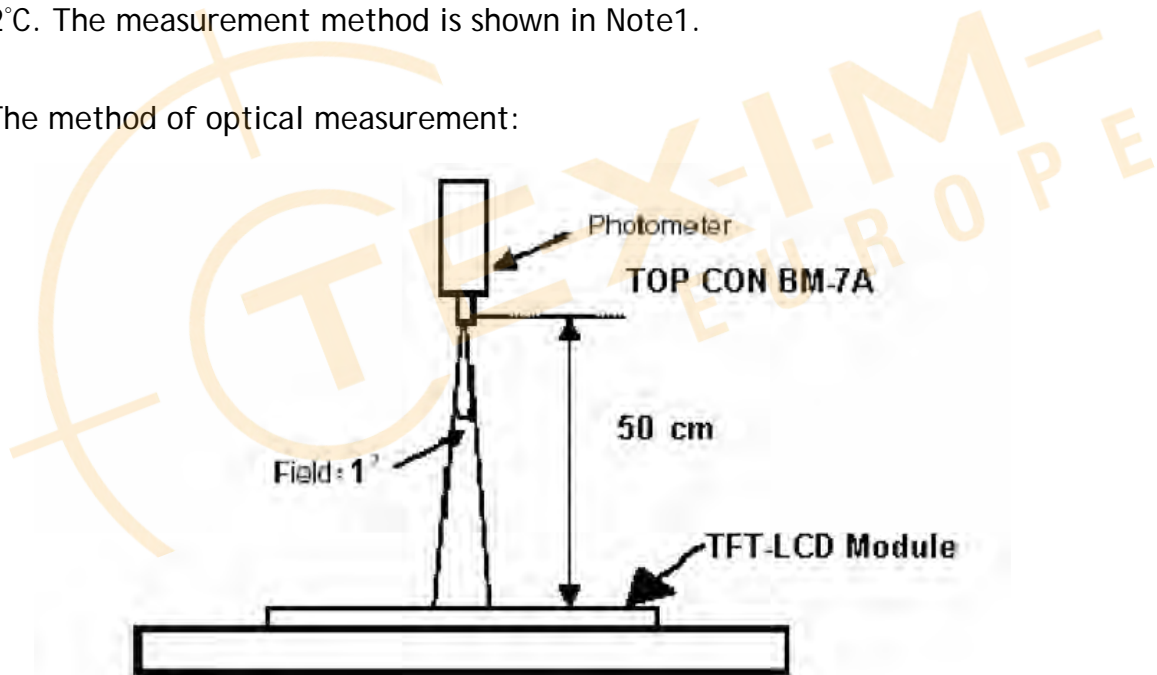


7. OPTICAL CHARACTERISTICS

| Item | Symbol | Condition | Min. | Typ. | Max. | Unit |
|--------------------|------------|--|-------|-------|-------|-------------------|
| Brightness | -- | Note1, Note 3, ($\theta = 0^\circ$, Normal Viewing Angle) | 480 | 600 | -- | cd/m ² |
| Uniformity | B-uni | | 70 | 75 | - | % |
| Contrast Ratio | CR | | 500 | 600 | -- | -- |
| Response Time | Tr | | -- | 40 | -- | ms |
| | Tf | -- | 40 | -- | ms | |
| Color Chromaticity | White | Wx | 0.260 | 0.310 | 0.360 | -- |
| | | Wy | 0.280 | 0.330 | 0.380 | -- |
| View angle | Horizontal | $\theta x+$ | 70 | 85 | -- | |
| | | $\theta x-$ | 70 | 85 | -- | |
| | Vertical | $\theta Y+$ | 70 | 85 | -- | |
| | | $\theta Y-$ | 70 | 85 | -- | |

Note : The following optical specifications shall be measured in a darkroom or equivalent state(ambient luminance ≤ 1 lux, and at room temperature). The operation temperature is $25^\circ\text{C} \pm 2^\circ\text{C}$. The measurement method is shown in Note1.

Note1: The method of optical measurement:

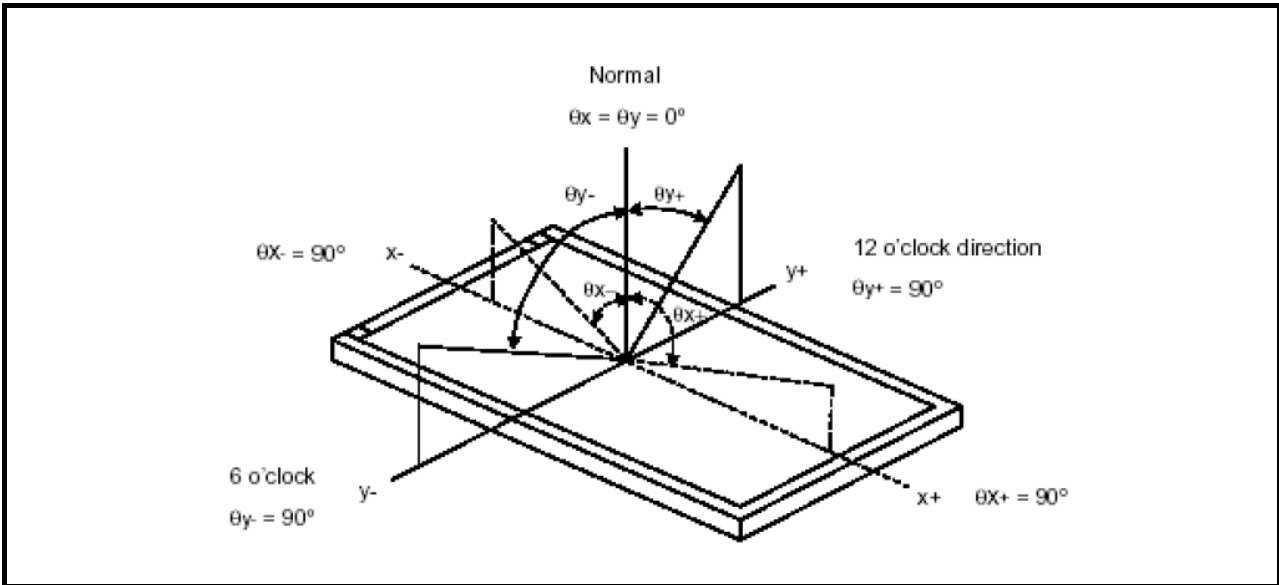


Note2: Measured at the center area of the panel and at the viewing angle of the $\theta x = \theta y = 0^\circ$

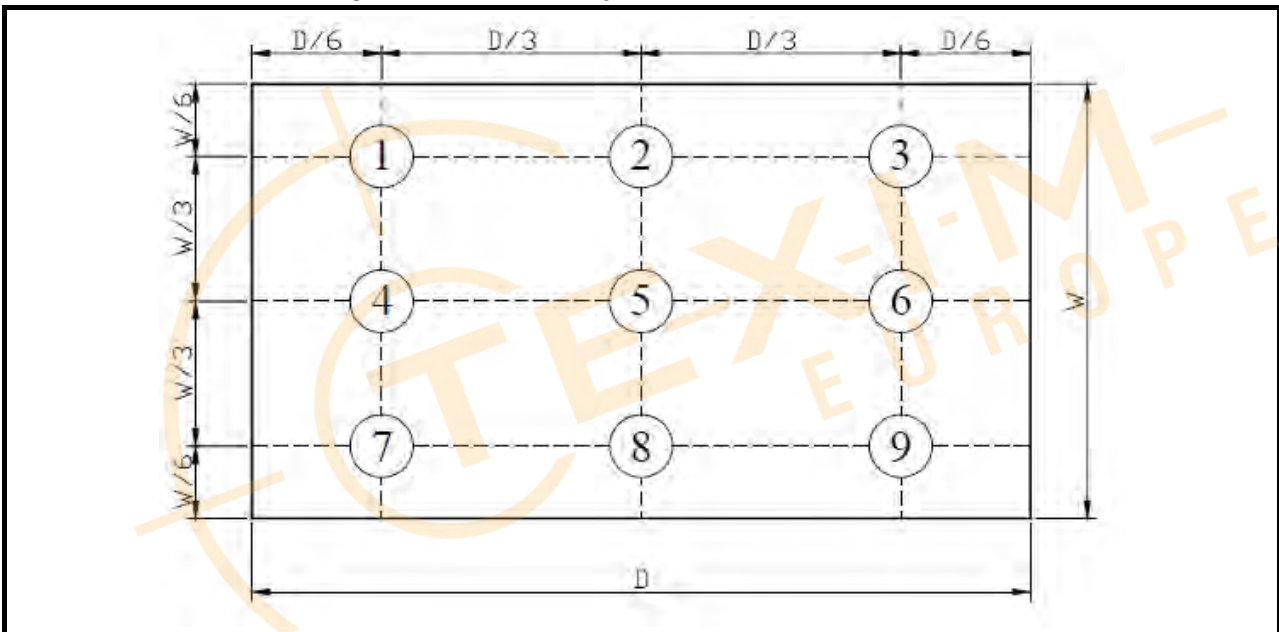
Note3: Definition of Contrast Ratio (CR):

CR = Luminance with all pixels in white state \div Luminance with all pixels in Black state

Note 4: Definition of Viewing Angle:



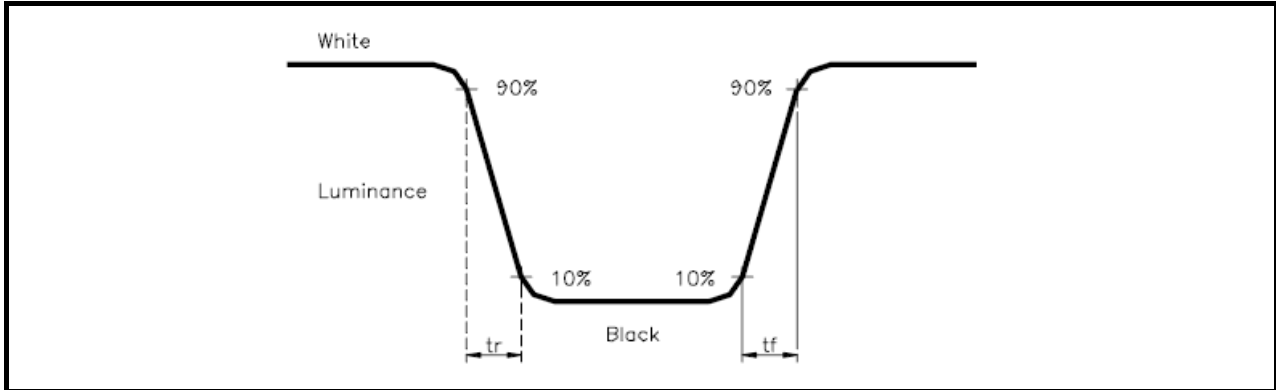
Note 5: Definition of Brightness Uniformity (B-uni):



$$B\text{-uni} = (\text{Minimum luminance of 9 points} \div \text{Maximum luminance of 9 points}) \times 100\%$$

Note 6: Definition of Response Time:

The Response Time is set initially by defining the "Rising Time (T_r)" and the "Falling Time (T_f)" respectively. T_r and T_f are defined as following figure



Note 7: Definition of Chromaticity:

The color coordinates (W_x, W_y), (R_x, R_y), (G_x, G_y), and (B_x, B_y) are obtained with all pixels in the viewing field at white, red, green, and blue states, respectively.





8. RELIABILITY

8.1 Test Condition

8.1.1 Temperature and Humidity(Ambient Temperature)

Temperature : $25 \pm 5^{\circ}\text{C}$

Humidity : $65 \pm 5\%$

8.1.2 Operation

Unless specified otherwise, test will be conducted under function state.

8.1.3 Container

Unless specified otherwise, vibration test will be conducted to the product itself without putting it in a container.

8.1.4 Test Frequency

In case of related to deterioration such as shock test. It will be conducted only once.

8.2 TESTS

| No. | ITEM | CONDITION CRITERION |
|-----|---|--|
| 1 | High Temperature Storage | 80°C, 120 hrs |
| 2 | Low Temperature Storage | -30°C, 120 hrs |
| 3 | High Temperature Operating | 70°C, 120 hrs |
| 4 | Low Temperature Operating | -20°C, 120 hrs |
| 5 | High Temperature/Humidity Non-Operating | 40°C, 90%RH, 120 hrs |
| 6 | Temperature Shock Non-Operating | -30°C \leftrightarrow 80°C (0.5hr each), 100 cycles |
| 7 | Vibration Test Non-Operating | Frequency:0 ~ 55 Hz Amplitude:1.5 mm Sweep Time:11min Test Period:6 Cycles for each Direction of X,Y,Z |
| 8 | Electro-static Discharge | $\pm 2\text{KV}$, Human Body Mode, 100pF/1500 Ω |

Note1: The test sample have recovery time for 24 hours at room temperature before the function check. In the standard conditions, there is no any function NG issue occurred.



8.3 JUDGMENT STANDARD

The judgment of the above test should be made as follow:

Pass: Normal display image with no obvious non-uniformity and no line defect. Partial transformation of the module parts should be ignored.

Fail: No display image, obvious non-uniformity, or line defects.





8.4 INCOMING INSPECTION STANDARDS

| No. | Parameter | Criteria | | | | | | | | | | | | | | |
|--|-------------------------------------|---|-------------------|-------------------|-------------------|-------------------|------------------|------------------|--------------------|---------------------|--------------|--------------|---------------|-----|-------|-----|
| 1 | Operating | Display function: No Display malfunction (Major) | | | | | | | | | | | | | | |
| | | Contrast ratio (Black, White): Does not meet specified range in the spec. (Major) (Note:3) | | | | | | | | | | | | | | |
| | | Line Defect: No obvious Vertical and Horizontal line defect in bright, dark and colored. (Major) (Note:1) | | | | | | | | | | | | | | |
| | | Point Defect : Active area ≤ 5 dots (Minor) (Note:1) | | | | | | | | | | | | | | |
| | | <table border="1"> <thead> <tr> <th rowspan="2">Item</th> <th>Acceptable number</th> <th rowspan="2">Total</th> </tr> <tr> <th>Active Area</th> </tr> </thead> <tbody> <tr> <td>Bright</td> <td>2</td> <td rowspan="2">5</td> </tr> <tr> <td>Dark</td> <td>4</td> </tr> </tbody> </table> | Item | Acceptable number | Total | Active Area | Bright | 2 | 5 | Dark | 4 | | | | | |
| Item | Acceptable number | Total | | | | | | | | | | | | | | |
| | Active Area | | | | | | | | | | | | | | | |
| Bright | 2 | 5 | | | | | | | | | | | | | | |
| Dark | 4 | | | | | | | | | | | | | | | |
| 2 | External Inspection (non-operating) | Non-uniformity: Visible through 5%ND filter. (Minor) | | | | | | | | | | | | | | |
| | | Foreign material in Black or White spots shape ($W > 1/4L$) | | | | | | | | | | | | | | |
| | | <table border="1"> <thead> <tr> <th>Zone Dimension</th> <th>Acceptable number</th> <th rowspan="3">Class Of Defects</th> <th rowspan="3">AQL Level</th> </tr> </thead> <tbody> <tr> <td>$D > 0.5$</td> <td>0</td> </tr> <tr> <td>$0.3 < D \leq 0.5$</td> <td>5</td> </tr> <tr> <td>$D \leq 0.3$</td> <td>*</td> <td>Minor</td> <td>1.5</td> </tr> </tbody> </table> <p>$D = (\text{Long} + \text{Short}) / 2$ * : Disregard</p> | Zone Dimension | Acceptable number | Class Of Defects | AQL Level | $D > 0.5$ | 0 | $0.3 < D \leq 0.5$ | 5 | $D \leq 0.3$ | * | Minor | 1.5 | | |
| | | Zone Dimension | Acceptable number | Class Of Defects | | | AQL Level | | | | | | | | | |
| | | $D > 0.5$ | 0 | | | | | | | | | | | | | |
| $0.3 < D \leq 0.5$ | 5 | | | | | | | | | | | | | | | |
| $D \leq 0.3$ | * | Minor | 1.5 | | | | | | | | | | | | | |
| Foreign Material in Line or spiral shape ($W \leq 1/4L$) (Note: 4) | | | | | | | | | | | | | | | | |
| <table border="1"> <thead> <tr> <th rowspan="2">L (mm)</th> <th>Zone W(mm)</th> <th rowspan="2">Acceptable number</th> <th rowspan="3">Class Of Defects</th> <th rowspan="3">AQL Level</th> </tr> </thead> <tbody> <tr> <td>$L > 5$</td> <td>$W > 0.1$</td> <td>0</td> </tr> <tr> <td>$0.5 < L \leq 5$</td> <td>$0.03 < W \leq 0.1$</td> <td>5</td> </tr> <tr> <td>$L \leq 0.5$</td> <td>$W \leq 0.03$</td> <td>*</td> <td>Minor</td> <td>1.5</td> </tr> </tbody> </table> <p>L : Length W : Width * : Disregard</p> | L (mm) | Zone W(mm) | Acceptable number | Class Of Defects | AQL Level | $L > 5$ | $W > 0.1$ | 0 | $0.5 < L \leq 5$ | $0.03 < W \leq 0.1$ | 5 | $L \leq 0.5$ | $W \leq 0.03$ | * | Minor | 1.5 |
| L (mm) | | Zone W(mm) | | | | Acceptable number | Class Of Defects | AQL Level | | | | | | | | |
| | $L > 5$ | $W > 0.1$ | 0 | | | | | | | | | | | | | |
| $0.5 < L \leq 5$ | $0.03 < W \leq 0.1$ | 5 | | | | | | | | | | | | | | |
| $L \leq 0.5$ | $W \leq 0.03$ | * | Minor | 1.5 | | | | | | | | | | | | |
| 2 | External Inspection (non-operating) | Dimension: Outline (Major) | | | | | | | | | | | | | | |
| | | Bezel appearance: uneven (Minor) | | | | | | | | | | | | | | |
| | | Scratch on the polarize: (Note:2) | | | | | | | | | | | | | | |
| | | <table border="1"> <thead> <tr> <th>Zone L (mm)</th> <th>Zone W(mm)</th> <th rowspan="2">Acceptable number</th> <th rowspan="3">Class Of Defects</th> <th rowspan="3">AQL Level</th> </tr> </thead> <tbody> <tr> <td>--</td> <td>$W > 0.1$</td> <td>0</td> </tr> <tr> <td>$L \leq 3$</td> <td>$W \leq 0.1$</td> <td>3</td> </tr> </tbody> </table> <p>L : Length W : Width * : Disregard</p> | Zone L (mm) | Zone W(mm) | Acceptable number | Class Of Defects | AQL Level | -- | $W > 0.1$ | 0 | $L \leq 3$ | $W \leq 0.1$ | 3 | | | |
| | | Zone L (mm) | Zone W(mm) | Acceptable number | | | | Class Of Defects | AQL Level | | | | | | | |
| -- | $W > 0.1$ | 0 | | | | | | | | | | | | | | |
| $L \leq 3$ | $W \leq 0.1$ | 3 | | | | | | | | | | | | | | |
| Dent or bubble on the polarize (Note:2) | | | | | | | | | | | | | | | | |
| <table border="1"> <thead> <tr> <th>Zone Dimension</th> <th>Acceptable number</th> <th rowspan="3">Class Of Defects</th> <th rowspan="3">AQL Level</th> </tr> </thead> <tbody> <tr> <td>$D \leq 0.3$</td> <td>*</td> </tr> <tr> <td>$D \leq 0.5$</td> <td>3</td> </tr> </tbody> </table> <p>$D = (\text{Long} + \text{Short}) / 2$ * : Disregard</p> | Zone Dimension | Acceptable number | Class Of Defects | AQL Level | $D \leq 0.3$ | * | $D \leq 0.5$ | 3 | | | | | | | | |
| Zone Dimension | Acceptable number | Class Of Defects | | | AQL Level | | | | | | | | | | | |
| $D \leq 0.3$ | * | | | | | | | | | | | | | | | |
| $D \leq 0.5$ | 3 | | | | | | | | | | | | | | | |

| Class of defects | Major | AQL 0.65% | Definition |
|------------------|-------|-----------|------------|
| | | | Minor |

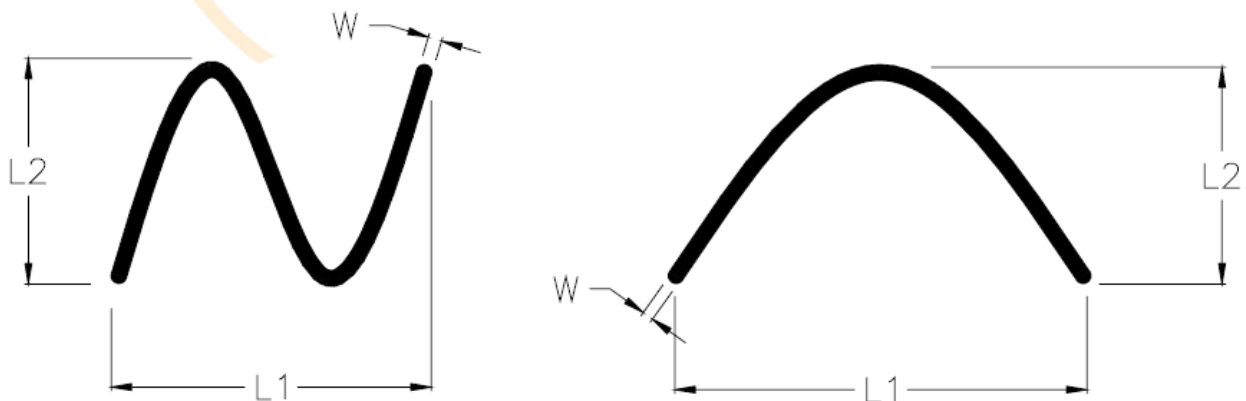
Note1:

- (a) Bright point defect is defined as point defect of R,G,B with area $>1/2$ pixel respectively
- (b) Dark point defect is defined as visible in full white pattern.
- (c) Definition of distribution of point defect is as follows:
 - minimum separation between dark point defects should be larger than 5mm.
 - minimum separation between bright point defects should be larger than 5mm.
- (d) Definition of joined bright point defect and joined dark point defect are as follows:
 - Two or more joined bright point defects must be nil.
 - Three joined dark point defects must be nil.
 - Coupling of one dark and one bright point in junction is counted as one dark and bright spot with 1 pair maximum.
 - Two Joined dark point is counted as two dark points with 2 pair maximum.

Note2: The external inspection should be conducted at the distance 30 ± 5 cm between the eyes of inspector and the panel.

Note3: Luminance measurement for contrast ratio is at the distance 50 ± 5 cm between the detective head and the panel with ambient luminance less than 1 lux. Contrast ratio is obtained at optimum view angle.

Note4: W-Width in mm , L-length of Max.(L1,L2) in mm.



8.5 Sampling Condition

Unless otherwise agree in written, the sampling inspection shall be applied to the incoming inspection of customer.

Lot size: Quantity of shipment lot per model.

Sampling type: normal inspection, single sampling

Sampling table: MIL-STD-105E

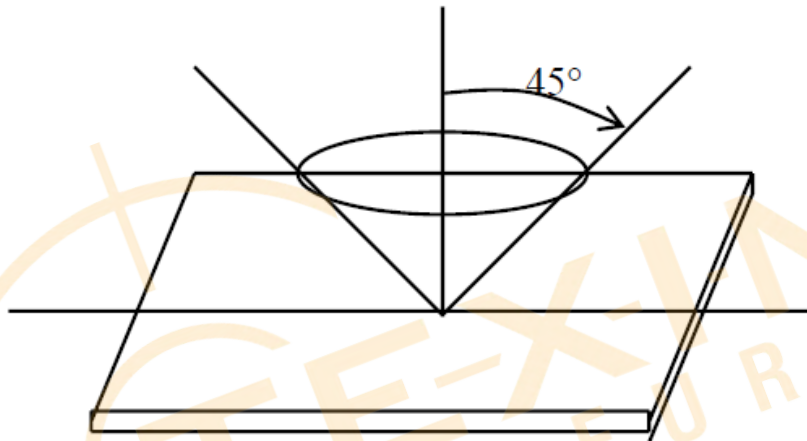
Inspection level: Level II

8.6 Inspection conditions

The LCD shall be inspected under 40W white fluorescent light.

$\theta \leq 45^\circ$ inspection under non-operating condition.

$\theta \leq 5^\circ$ inspection under operating condition





9. PRECAUTION RELATING PRODUCT HANDLING

9.1 SAFETY

- 9.1.1 If the LCD panel breaks , be careful not to get the liquid crystal to touch your skin.
- 9.1.2 If the liquid crystal touches your skin or clothes , please wash it off immediately by using soap and water.

9.2 HANDLING

- 9.2.1 Avoid any strong mechanical shock which can break the glass.
- 9.2.2 Avoid static electricity which can damage the CMOS LSI—When working with the module, be sure to ground your body and any electrical equipment you may be using.
- 9.2.3 Do not remove the panel or frame from the module.
- 9.2.4 The polarizing plate of the display is very fragile. So , please handle it very carefully, Do not touch, push or rub the exposed polarizing with anything harder than an HB pencil lead (glass , tweezers , etc.)
- 9.2.5 Do not wipe the polarizing plate with a dry cloth, as it may easily scratch the surface of plate.
- 9.2.6 Do not touch the display area with bare hands , this will stain the display area.
- 9.2.7 Do not use ketonics solvent & aromatic solvent. Use with a soft cloth soaked with a cleaning naphtha solvent.
- 9.2.8 To control temperature and time of soldering is $280 \pm 10^{\circ}\text{C}$ and 3-5 sec.
- 9.2.9 To avoid liquid (include organic solvent) stained on LCM.

9.3 STORAGE

- 9.3.1 Store the panel or module in a dark place where the temperature is $25^{\circ}\text{C} \pm 5^{\circ}\text{C}$ and the humidity is below 65% RH.
- 9.3.2 Do not place the module near organics solvents or corrosive gases.
- 9.3.3 Do not crush, shake, or jolt the module.

Disclaimer

ALL PRODUCTS, PRODUCT SPECIFICATIONS AND DATA ARE SUBJECT TO CHANGE WITHOUT NOTICE TO IMPROVE RELIABILITY, FUNCTION OR DESIGN OR OTHERWISE.

Texim Europe B.V. its affiliates, agents, and employees, and all persons acting on its or their behalf (collectively, "Texim"), disclaim any and all liability for any errors, inaccuracies or incompleteness contained in any datasheet or in any other disclosure relating to any product.

Texim makes no warranty, representation or guarantee regarding the suitability of the products for any particular purpose or the continuing production of any product.

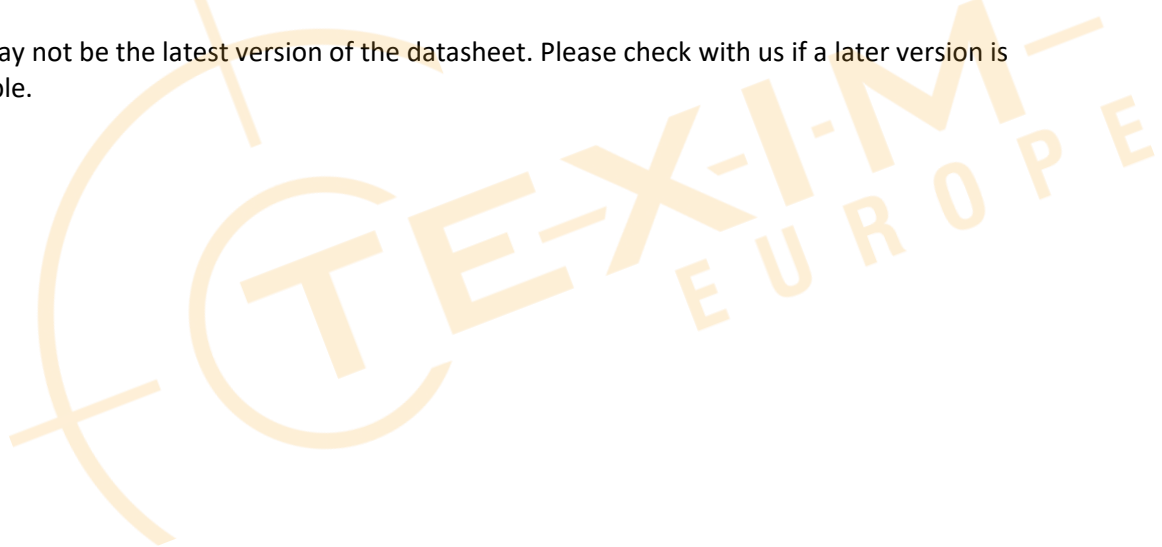
It is the customer's responsibility to validate that a particular product with the properties described in the product specification is suitable for use in a particular application.

Parameters provided in datasheets and / or specifications may vary in different applications and performance may vary over time.

All operating parameters, including typical parameters, must be validated for each customer application by the customer's technical experts.

Please contact us if you have any questions about the contents of the datasheet.

This may not be the latest version of the datasheet. Please check with us if a later version is available.





Headquarters & Warehouse

Elektrostraat 17
NL-7483 PG Haaksbergen
The Netherlands

T: +31 (0)53 573 33 33
E: info@texim-europe.com
Homepage: www.texim-europe.com



The Netherlands

Elektrostraat 17
NL-7483 PG Haaksbergen

T: +31 (0)53 573 33 33
E: nl@texim-europe.com



Belgium

Zuiderlaan 14, box 10
B-1731 Zellik

T: +32 (0)2 462 01 00
E: belgium@texim-europe.com



UK & Ireland

St Mary's House, Church Lane
Carlton Le Moorland
Lincoln LN5 9HS

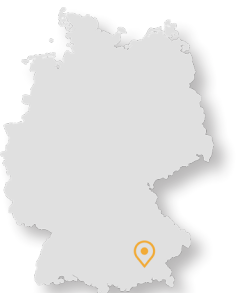
T: +44 (0)1522 789 555
E: uk@texim-europe.com



Germany - North

Bahnhofstrasse 92
D-25451 Quickborn

T: +49 (0)4106 627 07-0
E: germany@texim-europe.com



Germany - South

Martin-Kollar-Strasse 9
D-81829 München

T: +49 (0)89 436 086-0
E: muenchen@texim-europe.com



Austria

Warwitzstrasse 9
A-5020 Salzburg

T: +43 (0)662 216 026
E: austria@texim-europe.com



Nordic

Søndre Jagtvej 12
DK-2970 Hørsholm

T: +45 88 20 26 30
E: nordic@texim-europe.com



Italy

Via Matteotti 43
IT-20864 Agrate Brianza (MB)

T: +39 (0)39 9713293
E: italy@texim-europe.com