

FSRD-CANVATA381

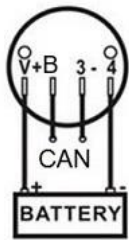
Round Battery indicator with CANbus communication of VARTA protocol

Specification

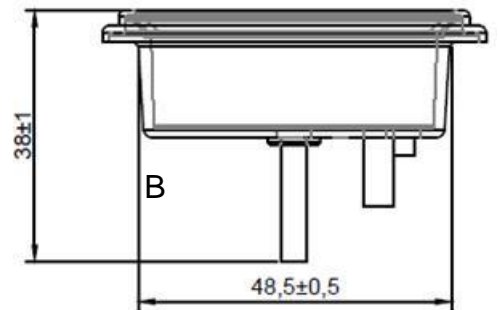
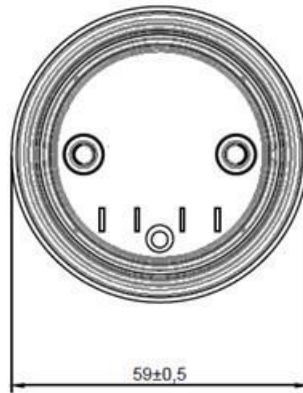
- ❑ Operating voltage: 5-100V
- ❑ Operating current: 8-16mA
- ❑ Display: 10 LED Bar (1 blue.4 green.3 yellow.2 red LEDs) + 5 digital number
- ❑ Firmware inside: VARTA protocol
- ❑ Installing way: U clamp 62x25x10mm
- ❑ Cable connector: 4.8x0.8mm connector

Dimension

- ❑ Housing case: 59mm
- ❑ cutout :48.5mm



Pin V+:connect to battery + pole
Pin 4 :connect to battery - pole
Pin B:connect to CAN +
Pin 3:connect to CAN -



Indication Features

- ❑ LED graph bar shows battery's remaining charge capacity
- ❑ Digital LED screen displays battery voltage