

## RRC-MC35-90-30

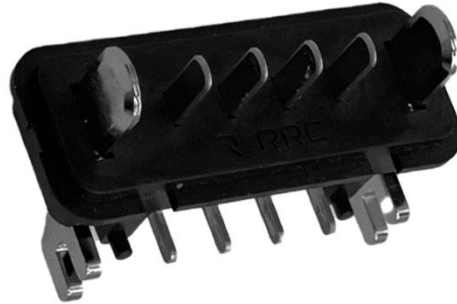
### Battery Mating Connector

P/N: 212418

Distributed by:



[www.texim-europe.com](http://www.texim-europe.com)



Picture only for reference

#### Features:

- Mating connector for standard battery form factors RRC35xx
- 30.00A max. charge or discharge current to battery
- 6-pin male connector
  - 4 signal pins: 5mm pitch
  - 2 power pins: 7mm pitch
- RoHS and REACH compliant

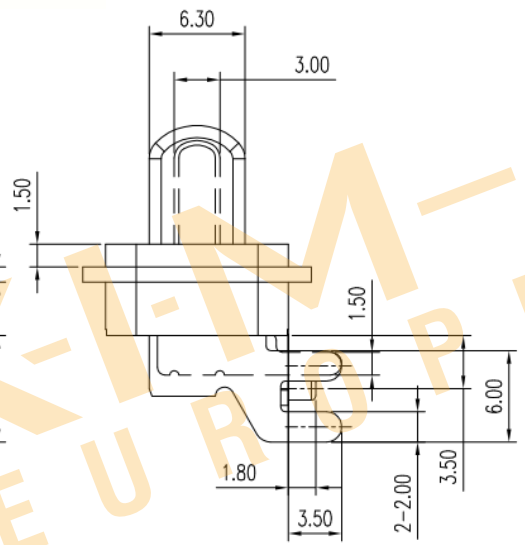
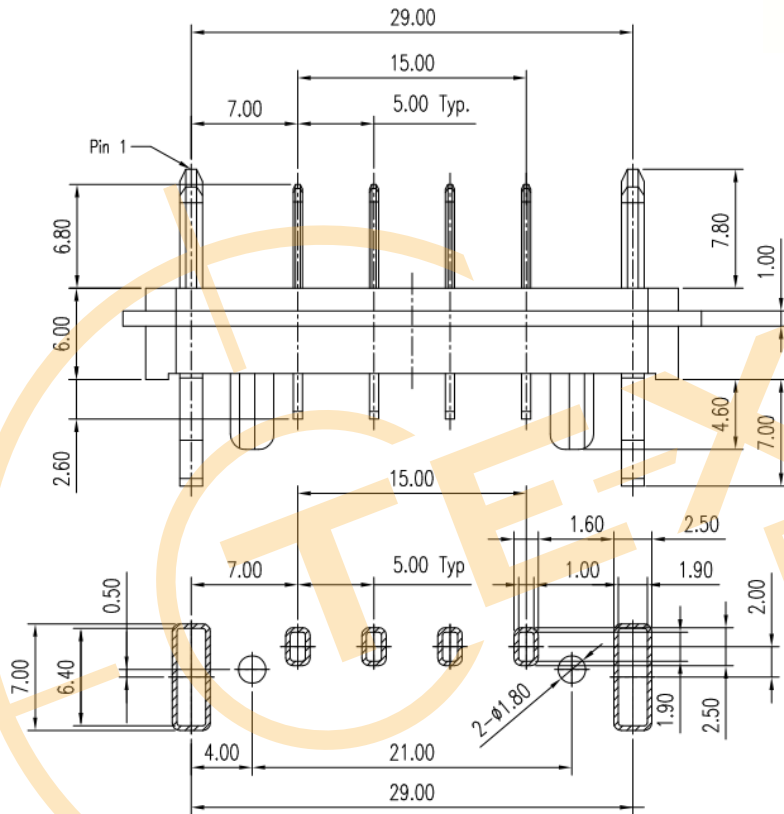
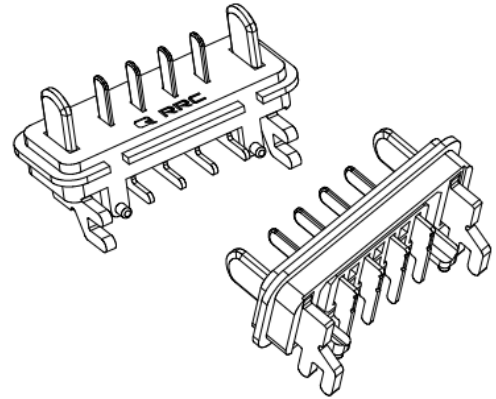
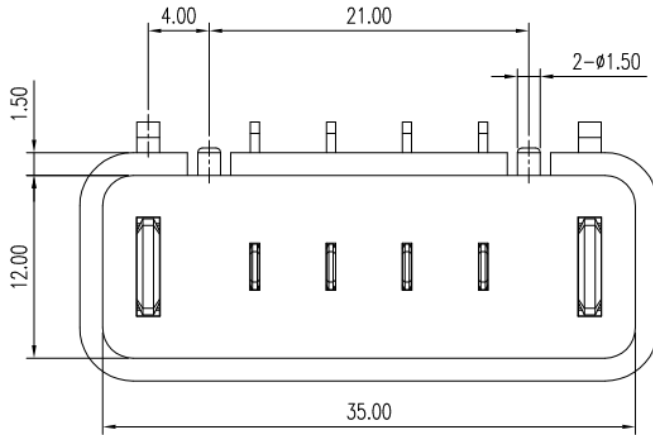
#### Applications:

Mating connector for RRC's smart batteries used in medical, industrial and consumer applications

**Specification**

<b>Ratings</b>	
Current	30.00A max. / power pin 1.00A max. / signal pin
Voltage	60.00V (power) 60.00V (signal)
<b>Materials</b>	
Housing	Thermoplastic High Temperature, UL 94 V-0 (LCP), black
Contacts	Copper Alloy
Plating	120µin Nickel overall, 50µin Nickel on contact area
<b>Environmental Condition</b>	
Operating Temperature	-40°C to +85°C
<b>Electrical Requirements</b>	
Contact Resistance	50mOhm max.
Insulation Resistance	1000MOhm min. at 500VDC / 1min
Dielectric withstand	500.00V / 1min
<b>Mechanical Requirements</b>	
Weight	8g
PCB mounting	90°
Contact Retention Force	1500g min. / power pin 1000g min. / signal pin
Durability	5000 cycles
<b>Physical Requirements</b>	
Solder Temperature	260°C ± 5°C
Immersion Period	5sec
<b>Regulatory Approvals</b>	
Green Procurement	RoHS REACH
<b>Packaging</b>	
32 connectors per tray	
320 connectors per carton	

**Drawings**



Recommended P.C.B. Layout  
Layout Tolerance = ± 0.05mm

Tolerance (unless otherwise specified)	
X.	X.° ± 10°
X.X ± 0.38	X.X° ± 5°
X.XX ± 0.25	X.XX° ± 2°
X.XXX ± 0.13	X.XXX°

All dimensions in mm.

**Germany/HQ**  
RRC power solutions GmbH  
Technologiepark 1  
66424 Homburg / Saar  
  
+49 6841 98090  
sales@rrc-ps.com

**USA**  
RRC power solutions Inc.  
18340 Yorba Linda Blvd.,  
# 107-437  
Yorba Linda, CA 92886  
  
+1 714 777 3604  
usa@rrc-ps.com

**Hong Kong**  
RRC power solutions Ltd.  
S-V,6/F, Valiant Industrial  
Centre 2-12  
Au Pui Wan Street  
Fo Tan, N.T., Hong Kong  
  
+852 2376 0106  
hkrrc@rrc-ps.cn

**China**  
RRC power solutions Ltd.  
Room 1306, C Building,  
Tianan International Building,  
Renmin South Road,  
Luohu District, Shenzhen  
518021  
  
+86 755 8374 1908  
hkrrc@rrc-ps.cn

**Vietnam**  
RRC Power Solutions  
Company Ltd.  
Block C, Lot CN4  
Dinh Vu - Cat Hai  
Economic Zone,  
Dong Hai 2 Ward  
Hai An District 180000  
Hai Phong City  
  
vietnam@rrc-ps.com

## **Disclaimer**

ALL PRODUCTS, PRODUCT SPECIFICATIONS AND DATA ARE SUBJECT TO CHANGE WITHOUT NOTICE TO IMPROVE RELIABILITY, FUNCTION OR DESIGN OR OTHERWISE.

Texim Europe B.V. its affiliates, agents, and employees, and all persons acting on its or their behalf (collectively, "Texim"), disclaim any and all liability for any errors, inaccuracies or incompleteness contained in any datasheet or in any other disclosure relating to any product.

Texim makes no warranty, representation or guarantee regarding the suitability of the products for any particular purpose or the continuing production of any product.

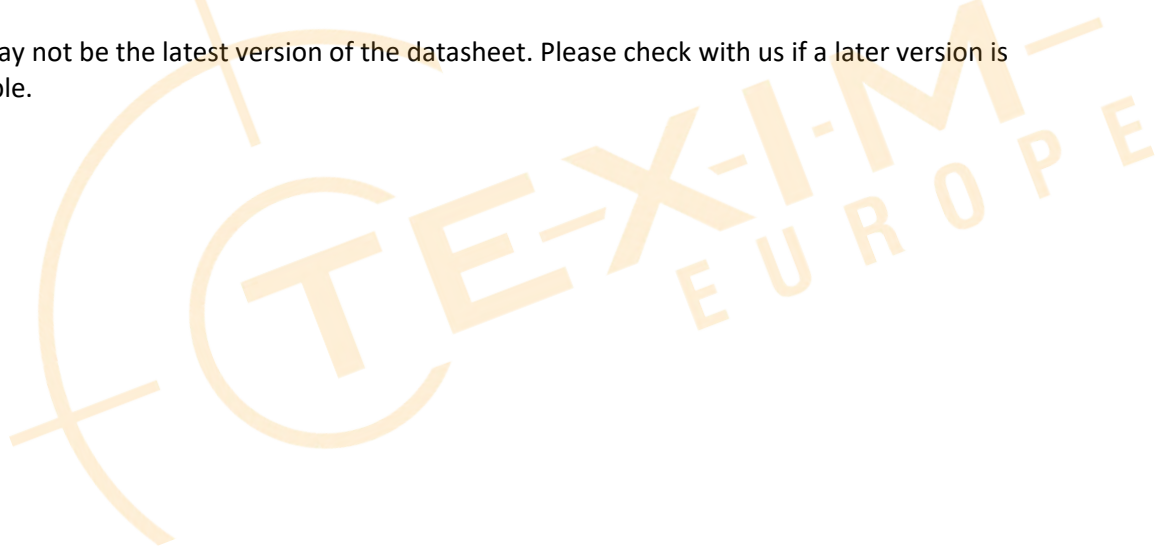
It is the customer's responsibility to validate that a particular product with the properties described in the product specification is suitable for use in a particular application.

Parameters provided in datasheets and / or specifications may vary in different applications and performance may vary over time.

All operating parameters, including typical parameters, must be validated for each customer application by the customer's technical experts.

Please contact us if you have any questions about the contents of the datasheet.

This may not be the latest version of the datasheet. Please check with us if a later version is available.





## Headquarters & Warehouse

Elektrostraat 17  
 NL-7483 PG Haaksbergen  
 The Netherlands

T: +31 (0)53 573 33 33  
 E: info@texim-europe.com  
 Homepage: www.texim-europe.com



### The Netherlands

Elektrostraat 17  
 NL-7483 PG Haaksbergen

T: +31 (0)53 573 33 33  
 E: nl@texim-europe.com



### Belgium

Zuiderlaan 14, box 10  
 B-1731 Zellik

T: +32 (0)2 462 01 00  
 E: belgium@texim-europe.com



### UK & Ireland

St Mary's House, Church Lane  
 Carlton Le Moorland  
 Lincoln LN5 9HS

T: +44 (0)1522 789 555  
 E: uk@texim-europe.com



### Germany

Bahnhofstrasse 92  
 D-25451 Quickborn

T: +49 (0)4106 627 07-0  
 E: germany@texim-europe.com



### Germany

Martin-Kollar-Strasse 9  
 D-81829 München

T: +49 (0)89 436 086-0  
 E: muenchen@texim-europe.com



### Austria

Warwitzstrasse 9  
 A-5020 Salzburg

T: +43 (0)662 216 026  
 E: austria@texim-europe.com



### Nordic

Stockholmsgade 45  
 2100 Copenhagen

T: +45 88 20 26 30  
 E: nordic@texim-europe.com



### Italy

Martin-Kollar-Strasse 9  
 D-81829 München

T: +49 (0)89 436 086-0  
 E: italy@texim-europe.com