

RRC-MC35-180-30

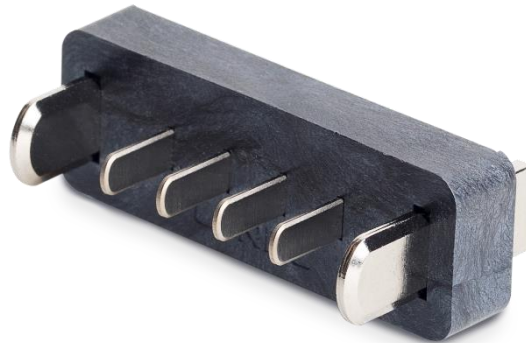
Battery Mating Connector

P/N: 211947

Distributed by:



www.texim-europe.com



Picture only for reference

Features:

- Mating connector for standard battery form factors RRC35xx
- 30.00A max. charge or discharge current to battery
- 6-pin male connector
 - 4 signal pins: 5mm pitch
 - 2 power pins: 7mm pitch
- RoHS and REACH compliant

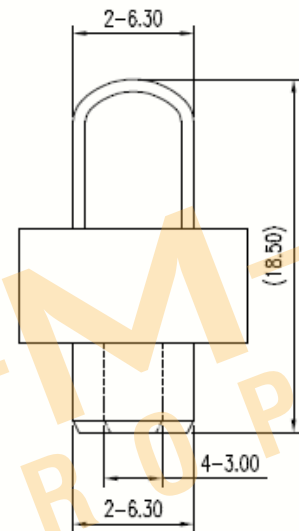
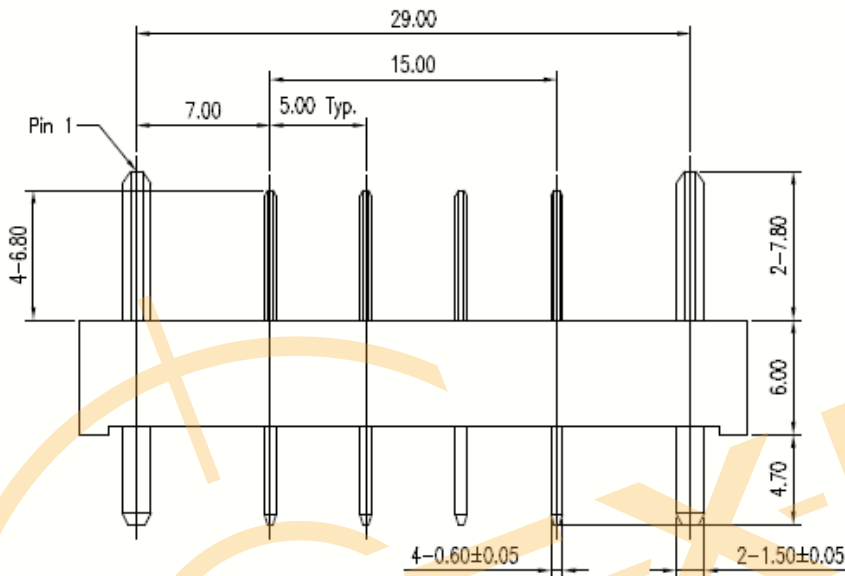
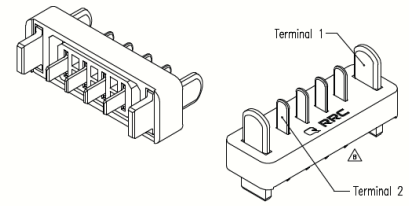
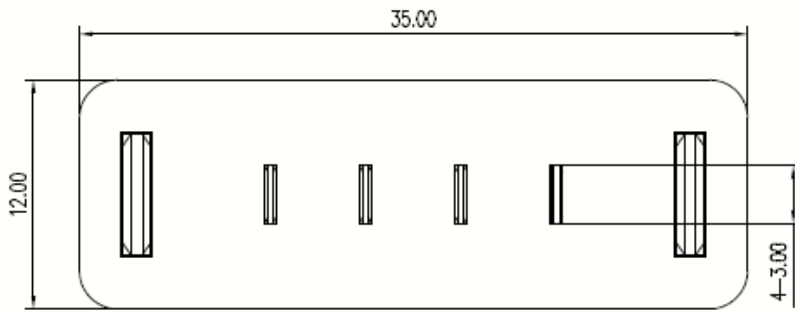
Applications:

Mating connector for RRC's smart batteries used in medical, industrial and consumer applications

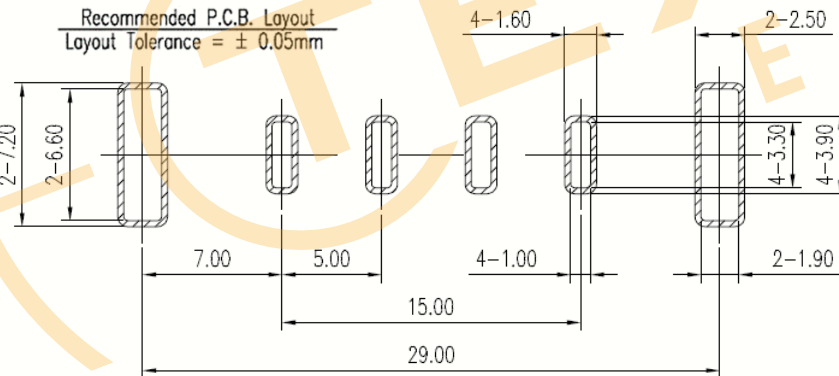
Specification

Ratings	
Current	30.00A max. / power pin 1.00A max. / signal pin
Voltage	60.00V (power) 6.00V (signal)
Materials	
Housing	Thermoplastic High Temperature, UL 94 V-0 (LCP), black
Contacts	Copper Alloy
Plating	120µin Nickel overall, 50µin Nickel on contact area
Environmental Condition	
Operating Temperature	-40°C to +85°C
Electrical Requirements	
Contact Resistance	50mOhm max.
Insulation Resistance	1000MOhm min. at 500VDC / 1min
Dielectric withstand	500.00V / 1min
Mechanical Requirements	
Dimensions (LxWxH)	35mm x 12mm x 18.50mm
Weight	7g
PCB mounting	180°
Contact Retention Force	1500g min. / power pin 1000g min. / signal pin
Durability	5000 cycles
Physical Requirements	
Solder Temperature	260°C ± 5°C
Immersion Period	5sec
Regulatory Approvals	
Green Procurement	RoHS REACH
Packaging	
17 connectors per tube	
48 tubes per carton	

Drawings



Recommended P.C.B. Layout
Layout Tolerance = ± 0.05mm



Tolerance (unless otherwise specified)	
X.	X.° ± 10°
X.X ± 0.38	X.X° ± 5°
X.XX ± 0.25	X.XX° ± 2°
X.XXX ± 0.13	X.XXX°

All dimensions in mm.

Germany/HQ
RRC power solutions GmbH
Technologiepark 1
66424 Homburg / Saar

+49 6841 98090
sales@rrc-ps.com

USA
RRC power solutions Inc.
18340 Yorba Linda Blvd.,
107-437
Yorba Linda, CA 92886

+1 714 777 3604
usa@rrc-ps.com

Hong Kong
RRC power solutions Ltd.
S-V,6/F, Valiant Industrial
Centre 2-12
Au Pui Wan Street
Fo Tan, N.T., Hong Kong

+852 2376 0106
hkrrc@rrc-ps.cn

China
RRC power solutions Ltd.
Room 1306, C Building,
Tianan International Building,
Renmin South Road,
Luohu District, Shenzhen
518021

+86 755 8374 1908
hkrrc@rrc-ps.cn

Vietnam
RRC Power Solutions
Company Ltd.
Block C, Lot CN4
Dinh Vu - Cat Hai
Economic Zone,
Dong Hai 2 Ward
Hai An District 180000
Hai Phong City

vietnam@rrc-ps.com

Disclaimer

ALL PRODUCTS, PRODUCT SPECIFICATIONS AND DATA ARE SUBJECT TO CHANGE WITHOUT NOTICE TO IMPROVE RELIABILITY, FUNCTION OR DESIGN OR OTHERWISE.

Texim Europe B.V. its affiliates, agents, and employees, and all persons acting on its or their behalf (collectively, "Texim"), disclaim any and all liability for any errors, inaccuracies or incompleteness contained in any datasheet or in any other disclosure relating to any product.

Texim makes no warranty, representation or guarantee regarding the suitability of the products for any particular purpose or the continuing production of any product.

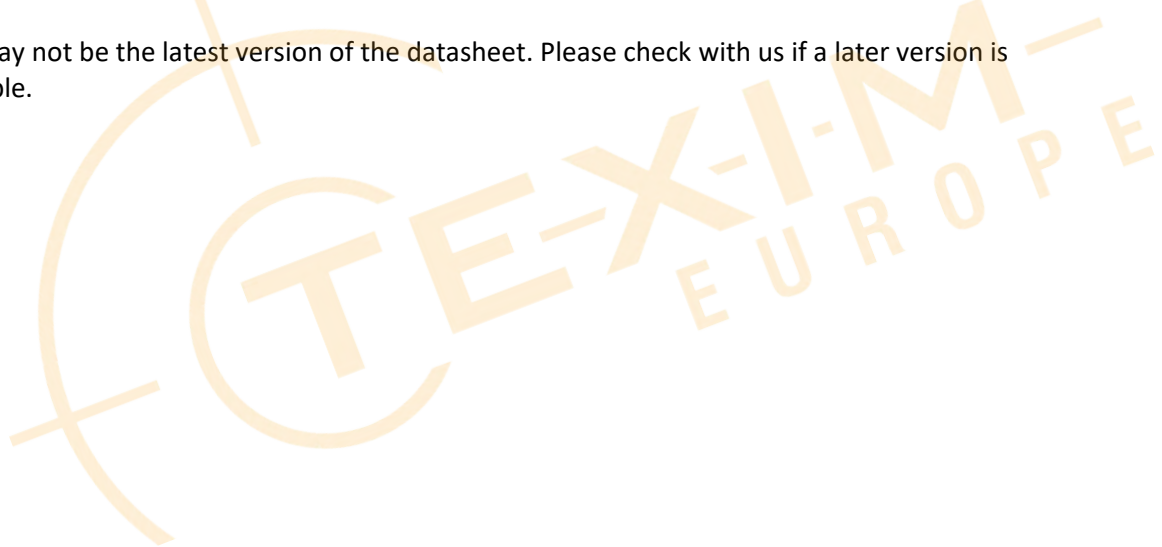
It is the customer's responsibility to validate that a particular product with the properties described in the product specification is suitable for use in a particular application.

Parameters provided in datasheets and / or specifications may vary in different applications and performance may vary over time.

All operating parameters, including typical parameters, must be validated for each customer application by the customer's technical experts.

Please contact us if you have any questions about the contents of the datasheet.

This may not be the latest version of the datasheet. Please check with us if a later version is available.





Headquarters & Warehouse

Elektrostraat 17
 NL-7483 PG Haaksbergen
 The Netherlands

T: +31 (0)53 573 33 33
 E: info@texim-europe.com
 Homepage: www.texim-europe.com



The Netherlands

Elektrostraat 17
 NL-7483 PG Haaksbergen

T: +31 (0)53 573 33 33
 E: nl@texim-europe.com



Belgium

Zuiderlaan 14, box 10
 B-1731 Zellik

T: +32 (0)2 462 01 00
 E: belgium@texim-europe.com



UK & Ireland

St Mary's House, Church Lane
 Carlton Le Moorland
 Lincoln LN5 9HS

T: +44 (0)1522 789 555
 E: uk@texim-europe.com



Germany

Bahnhofstrasse 92
 D-25451 Quickborn

T: +49 (0)4106 627 07-0
 E: germany@texim-europe.com



Germany

Martin-Kollar-Strasse 9
 D-81829 München

T: +49 (0)89 436 086-0
 E: muenchen@texim-europe.com



Austria

Warwitzstrasse 9
 A-5020 Salzburg

T: +43 (0)662 216 026
 E: austria@texim-europe.com



Nordic

Stockholmsgade 45
 2100 Copenhagen

T: +45 88 20 26 30
 E: nordic@texim-europe.com



Italy

Martin-Kollar-Strasse 9
 D-81829 München

T: +49 (0)89 436 086-0
 E: italy@texim-europe.com