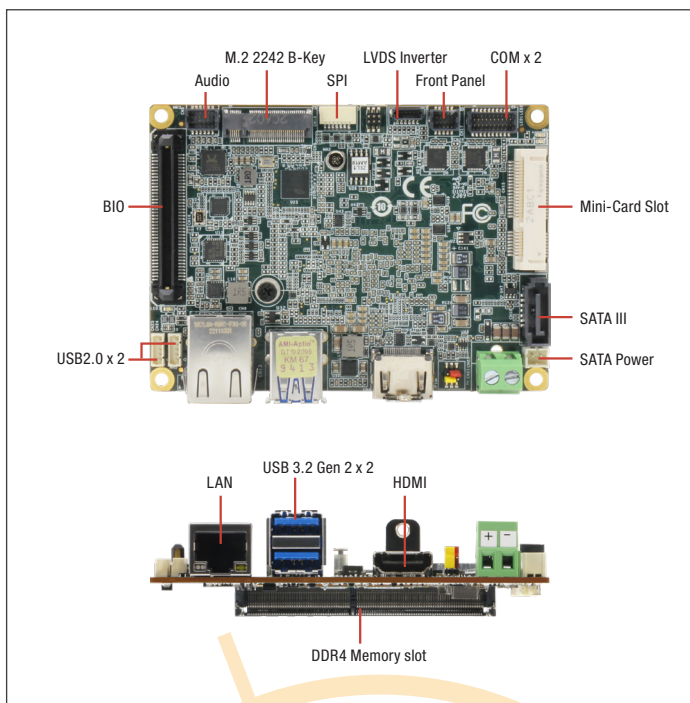


PICO-EHL1

Pico-ITX Board with Intel Atom® x6000E Series, and Intel® Pentium® and Celeron® N and J Series Processors



Features

- DDR4 3200MHz SODIMM x 1, up to 32GB
- eDP 1.3/LVDS x 1 (2CH 18/24-bit)
- HDMI 1.4b x 1
- Realtek RTL8111H-CG x 1
- Line-in/Line-out/MIC (Optional)
- TPM 2.0 (Optional)
- Full Size mPCIe/mSATA x 1
- M.2 2242 B-Key x 1
- USB 3.2 Gen 2 x 2, USB 2.0 x 2
- RS-232/422/485 x 2
- BIO (PCIe [x2], line out, DDI, GPIO, LPC, SMBUS, USB 3.0/2.0)



Distributed by:



Specifications

System	
Form Factor	PICO-ITX
CPU	Intel® Atom® x6000E series, Pentium®, and Celeron® N and J series Processors: J6412 (4C/4T, 2.00GHz, 10W) N6210 (2C/2T, 1.20GHz, 6.5W) x6425E (4C/4T, 2.0GHz, 12W) x6211E (2C/2T, 1.3GHz, 6W)
Chipset	Integrated with Intel® SoC
Memory Type	DDR4 3200, SODIMM x 1, Non-ECC (Max.32GB)
BIOS	UEFI
Wake on LAN	Yes
Watchdog Timer	255 Levels
Security	TPM2.0 (Optional)
RTC Battery	Lithium Battery 3V/240mAh
Dimension	3.94" x 2.84" (100mm x 72mm)
Gross Weight	0.18 lbs (0.08 kg)
OS Support	Windows® 10 (64-bit) Ubuntu 20.04.5/Kernel 5.15
Power	
Power Requirement	+12V
Power Supply Type	AT/ATX
Connector	Phoenix 2-pin Connector (Default) Lockable DC Jack Connector (colay)
Power Consumption	Intel Atom® x6425E, DDR4 32GB, 2.67A@ +12V (TYPICAL) Intel Atom® x6425E, DDR4 32GB, 2.84A@ +12V (MAX)
Display	
Controller	Intel® UHD Graphics for 10th Gen Intel® Processors
LVDS/eDP	LVDS x 1 (18/24bit 2CH) 1920 x 1200 @60Hz eDP 1.3 x 1, 3840 x 2160 @60Hz (Optional)
Display Interface	HDMI 1.4 x 1, 3480 x 2160 @30Hz
Multiple Display	Up to 2 Simultaneous Displays
Audio	
Codec	Realtek ALC269 (Optional)
Audio Interface	Line-In / Line-Out / Mic (Optional, audio function not available for WITAS SKU)
Speaker	—
External I/O	
Ethernet	Realtek 8111H-CG 1GbE, RJ45 x 1
USB	USB 3.2 Gen2 x 2
Serial Port	—
Video	HDMI 1.4 x 1

Internal I/O	
USB	USB 2.0 x 2
Serial Port	COM1~2 (RS232/422/485, support 5V/12V/RI)
Video	LVDS/eDP x 1(Default: LVDS)
SATA	SATA 6.0 Gb/s x 1, +5V SATA Power Connector x 1
Audio	Audio Header x 1 (Optional, audio function not available for WITAS SKU)
DIO/GPIO	GPIO 4-bit
SMBus/I2C	I2C/SMBus x1 (Default: SMBus)
Fan	4pins Smart Fan x1
Front Panel	HDD LED, PWR LED, Power Button, Buzzer, Reset
Others	—
Expansion	
Mini PCIe/mSATA	Full-Size mSATA/mPCIe x 1 (Default: mSATA, select with BIOS)
M.2	M.2 2242 B-key x 1 (PCIe [x2] as default, USB2.0 is optional)
Others	BIO x 1 (Optional, supports PCIe [x1] x 2, line out, DDI, GPIO, LPC, SMBUS, USB.3.0/2.0)
Environment & Certification	
Operating Temp	32°F ~ 140°F (0°C ~ 60°C) WITAS 2 -40°F ~ 185°F (-40°C ~ 85°C)
Storage Temp	-40°F ~ 185°F (-40°C ~ 85°C)
Operating Humidity	0% ~ 90% relative humidity, non-condensing
MTBF (Hours)	489,989
EMC	CE/FCC Class A

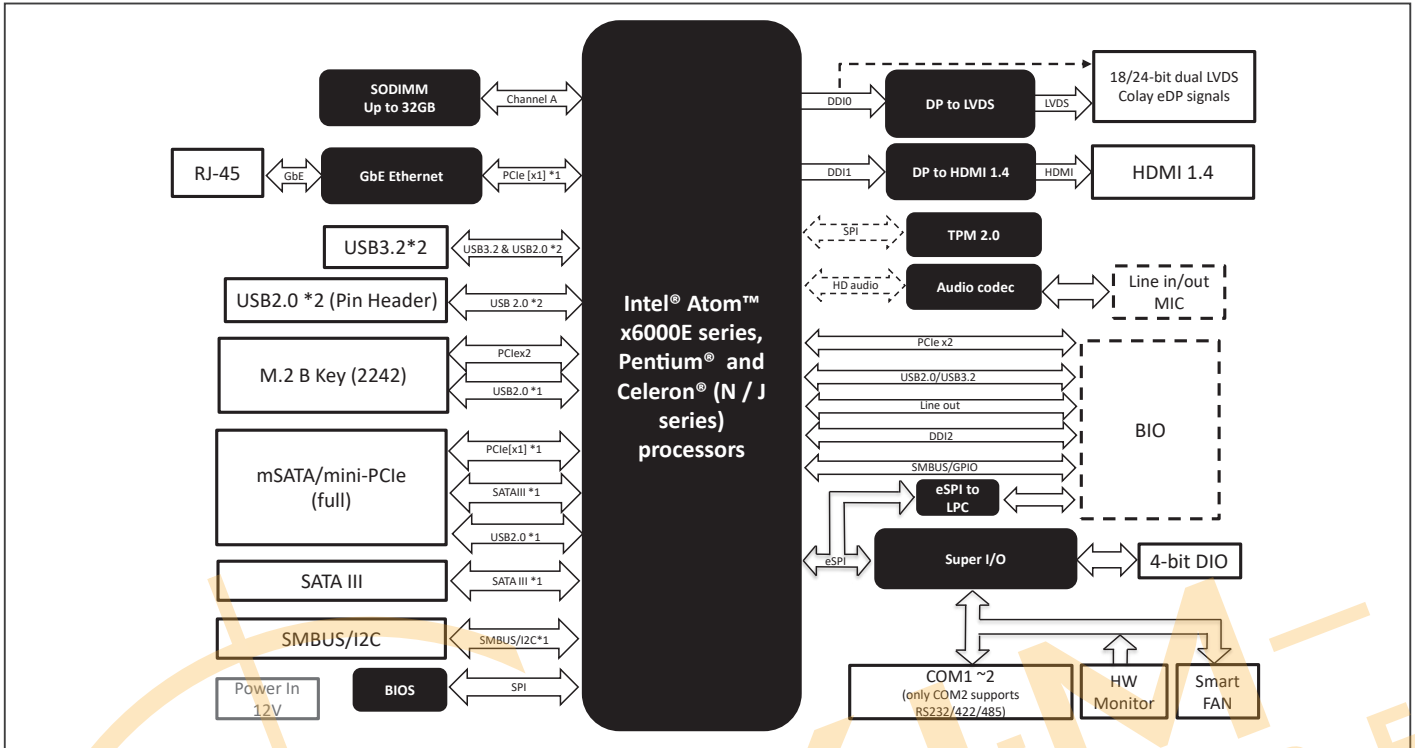
Packing List

- PICO-EHL1

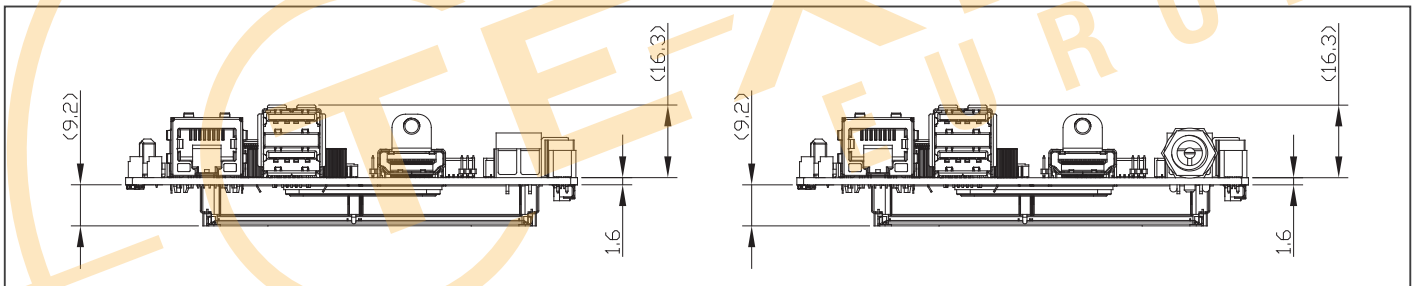
Optional Accessories

Part Number	Description	QTY
1709100108	Front Panel cable.10cm	1
170X000231	Dual COM cable.30cm	1
1700050207	USB2.0 cable.20cm	1
170X000593	SATA CABLE.15cm	1
1702150155	SATA power cable.15cm	1
1702030200	Power cable (Phoenix type to DC Jack).20cm	1
170X000156	Audio cable.25cm	1
PICO-EHL1-FAN01	Cooler.100*72*24mm.for J6412/N6210	1
PICO-EHL1-FAN02	Cooler.100*72*22.8mm.for x6425E/x6211E	1
PICO-EHL1-HSP01	Heat Spreader.AL.100*72*10.5mm.for J6412/N6210	1
PICO-EHL1-HSP02	Heat Spreader.AL.100*72*9.3mm.for x6425E/x6211E	1
PICO-EHL4-HSK01	Heat Sink.100*72*15.5mm.Silver.To be used with HS	1
PER-P30D-A10	120W, DC-DC Converter, 9~36V input, 12V output, Rev A1.0, 30 x 72mm	1

Block Diagram



Dimension Unit: mm



Ordering Information

Part number	CPU	Display	Storage	LAN	USB	RS-232/422/485	Expansion slot	Power	Operating Temp	Others
PICO-EHL1-A10-0001	Intel® Celeron® Processor N6210	HDMI x 1 LVDS x 1	SATA III x 1	GbE x 1	USB 2.0 x 2 USB 3.2 Gen 2 x 2	2	M.2 2242 B-Key x 1 Full Size Mini Card x 1	+12V (Terminal block)	0~60°C	DIO
PICO-EHL1-A10-0002	Intel® Celeron® Processor J6412	HDMI x 1 LVDS x 1	SATA III x 1	GbE x 1	USB 2.0 x 2 USB 3.2 Gen 2 x 2	2	M.2 2242 B-Key x 1 Full Size Mini Card x 1	+12V (Terminal block)	0~60°C	DIO
PICO-EHL1W2-A10-0003	Intel Atom® x6425E	HDMI x 1 LVDS x 1	SATAIII x 1	GbE x 1	USB 2.0 x 2 USB3.2 Gen 2 x 2	2	M.2 2242 B-key x 1 miniCard (Full) x 1	+12V (Terminal block)	-40~85°C	DIO

Disclaimer

ALL PRODUCTS, PRODUCT SPECIFICATIONS AND DATA ARE SUBJECT TO CHANGE WITHOUT NOTICE TO IMPROVE RELIABILITY, FUNCTION OR DESIGN OR OTHERWISE.

Texim Europe B.V. its affiliates, agents, and employees, and all persons acting on its or their behalf (collectively, "Texim"), disclaim any and all liability for any errors, inaccuracies or incompleteness contained in any datasheet or in any other disclosure relating to any product.

Texim makes no warranty, representation or guarantee regarding the suitability of the products for any particular purpose or the continuing production of any product.

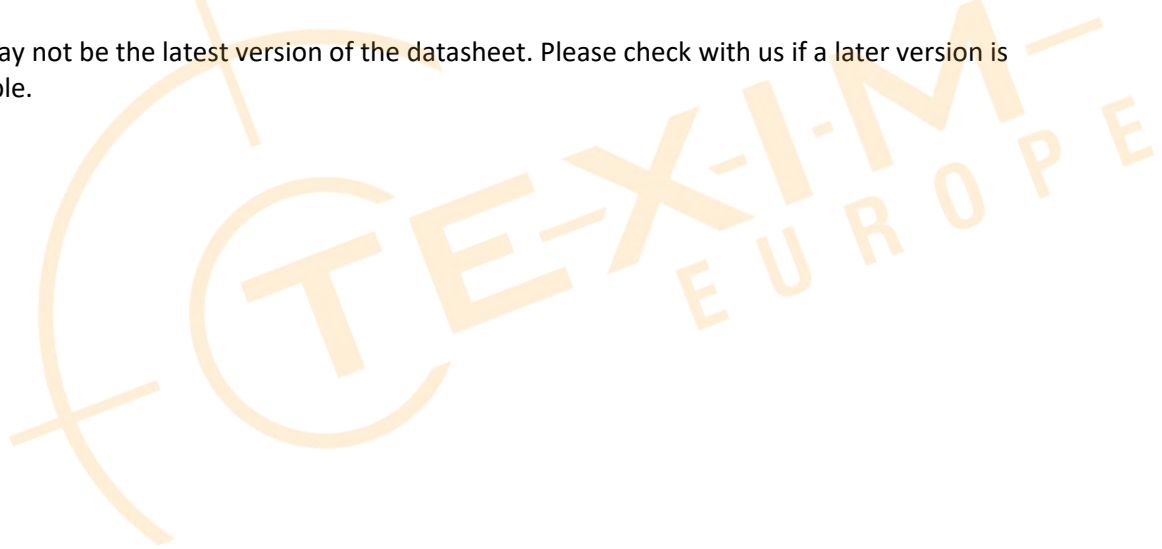
It is the customer's responsibility to validate that a particular product with the properties described in the product specification is suitable for use in a particular application.

Parameters provided in datasheets and / or specifications may vary in different applications and performance may vary over time.

All operating parameters, including typical parameters, must be validated for each customer application by the customer's technical experts.

Please contact us if you have any questions about the contents of the datasheet.

This may not be the latest version of the datasheet. Please check with us if a later version is available.





Headquarters & Warehouse

Elektrostraat 17
 NL-7483 PG Haaksbergen
 The Netherlands

T: +31 (0)53 573 33 33
 E: info@texim-europe.com
 Homepage: www.texim-europe.com



The Netherlands

Elektrostraat 17
 NL-7483 PG Haaksbergen

T: +31 (0)53 573 33 33
 E: nl@texim-europe.com



Belgium

Zuiderlaan 14, box 10
 B-1731 Zellik

T: +32 (0)2 462 01 00
 E: belgium@texim-europe.com



UK & Ireland

St Mary's House, Church Lane
 Carlton Le Moorland
 Lincoln LN5 9HS

T: +44 (0)1522 789 555
 E: uk@texim-europe.com



Germany

Bahnhofstrasse 92
 D-25451 Quickborn

T: +49 (0)4106 627 07-0
 E: germany@texim-europe.com



Germany

Martin-Kollar-Strasse 9
 D-81829 München

T: +49 (0)89 436 086-0
 E: muenchen@texim-europe.com



Austria

Warwitzstrasse 9
 A-5020 Salzburg

T: +43 (0)662 216 026
 E: austria@texim-europe.com



Nordic

Stockholmsgade 45
 2100 Copenhagen

T: +45 88 20 26 30
 E: nordic@texim-europe.com



Italy

Martin-Kollar-Strasse 9
 D-81829 München

T: +49 (0)89 436 086-0
 E: italy@texim-europe.com