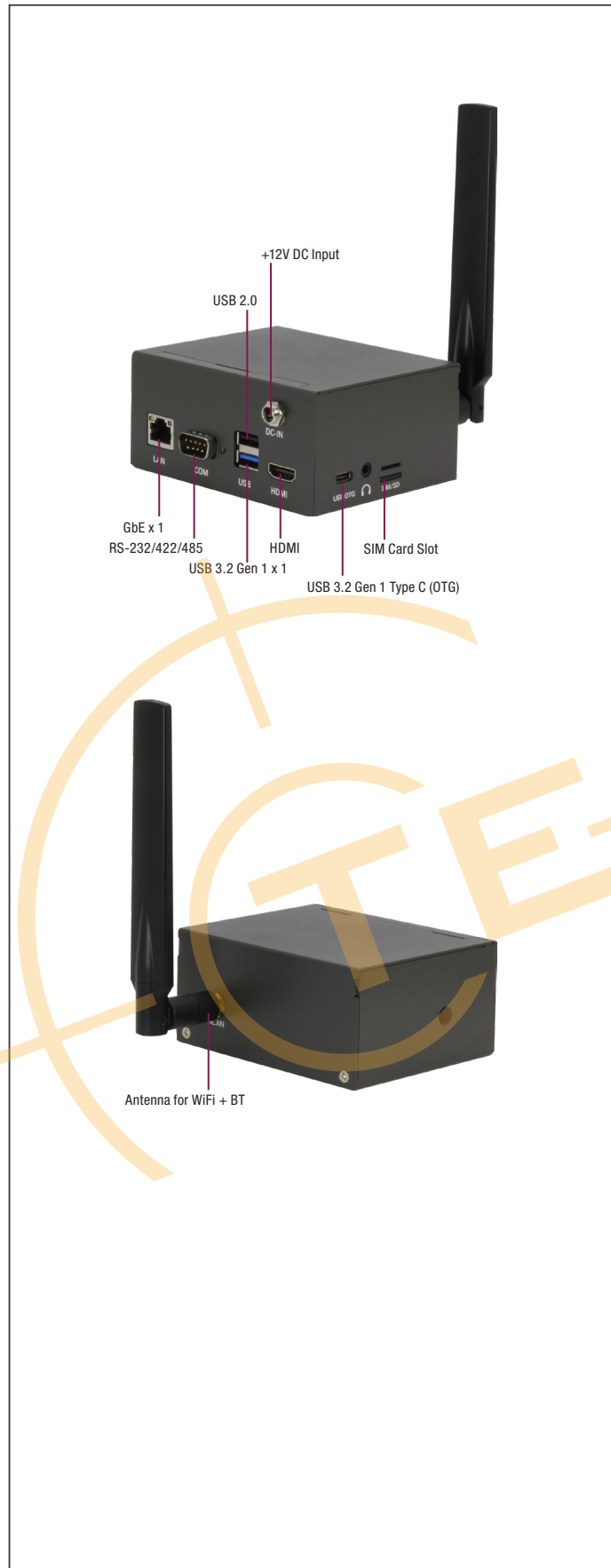


BOXER-3568 PRELIMINARY

Fanless Embedded Box PC with Rockchip RK3568

**Features**

- Rockchip RK3568
- LPDDR4 2GB/4GB/8GB (Optional)
- eMMC 16GB and Micro-SD Card Slot
- HDMI 2.0 Port x 1
- WiFi 802.11 b/g/n, BT V5.0
- GbE: RJ45 x 1
- USB 3.2 Gen 1: Type C OTG x 1, Type A x 1
- USB 2.0: Type A x 1
- RS-232/422/485 x 1, RS-232 x 1 (Optional)
- mPCIe Slot x 1 (mSATA / USB)
- +12V DC Input
- OS Support: Android 12, Debian 10 (Optional)
- Compact Size (W x D x H): 106.5 mm x 85.6 mm x 50 mm

Specifications

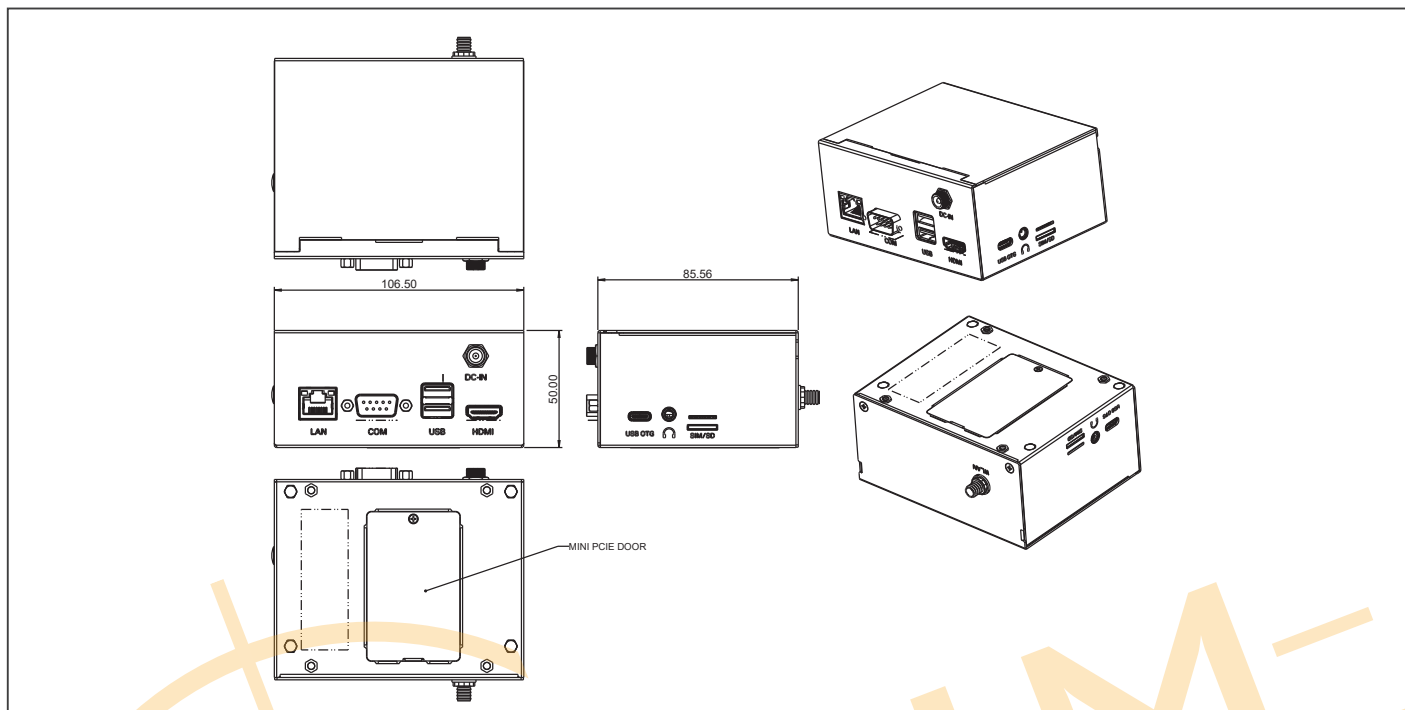
System	
CPU	Rockchip RK3568 ARM Cortex™-A55 Quad-core
GPU	Mali-G52
Chipset	NPU: 0.8 TOPS
Graphics	Video Encode: 1080P@60fps H.264/H.265 Video Decode: 4K@60fps H.264/H.265/AV1 4KP60 AVS2/VP9 1080P MPEG1/VP8
System Memory	LPDDR4 2GB/4GB/8GB (Optional)
Display Interface	HDMI (2.0)
Storage/SSD	16GB eMMC and Micro-SD card
I/O	Micro-SD Card Slot x 1 HDMI (2.0) Port x 1 Antenna Connector for WiFi 802.11 b/g/n, BT V5.0 Antenna Connector for LTE (Optional) GbE: RJ45 x 1 USB 3.2 Gen 1: Type C OTG x 1, Type A x 1 USB 2.0: Type A x 1 RS-232/422/485 x 1, RS-232 x 1 (Optional) SIM Card Slot x 1
Expansion	mPCIe Slot x 1 (mSATA / USB) for LTE module
Indicator	Power LED x 1
OS Support	Android 12, Debian 10 (Optional)
Power Supply	
Power Requirement	+12V DC input
Mechanical	
Mounting	VESA mount, 75mm x 75mm
Dimension (W x D x H)	4.2" x 3.37" x 1.97" (106.5 mm x 85.6 mm x 50 mm)
Gross Weight	1.1 lb (0.5 Kg)
Net Weight	0.66 lb (0.3 Kg)
Environmental	
Operating Temperature	32°F ~ 140°F (0°C ~ 60°C)
Storage Temperature	-40°F ~ 176°F (-40°C ~ 80°C)
Storage Humidity	0% ~ 90% relative humidity, non-condensing
Anti-Vibration	—
Certification	CE/FCC





Dimension

Unit: mm



Packing List

- BOXER-RK3568
- 125530060Y
12V / 60W Power Adapter

Optional Accessories

- 170X000399
WiFi 6, 2.4GHz/5GHz/6GHz, External Antenna
- 9741EG2560
EG25-G, W/ SIM Card Holder, RF Cable, External Antenna
- M04BIBX000
Wall-mount Plate

Ordering Information

Part Number	CPU	OS	RAM	Storage	LAN	RS-232	USB	Display	WiFi & BT	3G/LTE Slot
BOXER-RK3568-A10-0001	ARM Cortex-A17 1.6GHz 144RK32882	Android 12	2GB LPDDR4	16GB eMMC	GbE x 1	1 (RS-232/422/485)	3	1 (HDMI)	802.11 b/g/n BT 5.0 + EDR	1 (mPCIe Slot)
BOXER-RK3568-A10-0002	ARM Cortex-A17 1.6GHz 144RK32882	Android 12	4GB LPDDR4	16GB eMMC	GbE x 1	1 (RS-232/422/485)	3	1 (HDMI)	802.11 b/g/n BT 5.0 + EDR	1 (mPCIe Slot)

Disclaimer

ALL PRODUCTS, PRODUCT SPECIFICATIONS AND DATA ARE SUBJECT TO CHANGE WITHOUT NOTICE TO IMPROVE RELIABILITY, FUNCTION OR DESIGN OR OTHERWISE.

Texim Europe B.V. its affiliates, agents, and employees, and all persons acting on its or their behalf (collectively, "Texim"), disclaim any and all liability for any errors, inaccuracies or incompleteness contained in any datasheet or in any other disclosure relating to any product.

Texim makes no warranty, representation or guarantee regarding the suitability of the products for any particular purpose or the continuing production of any product.

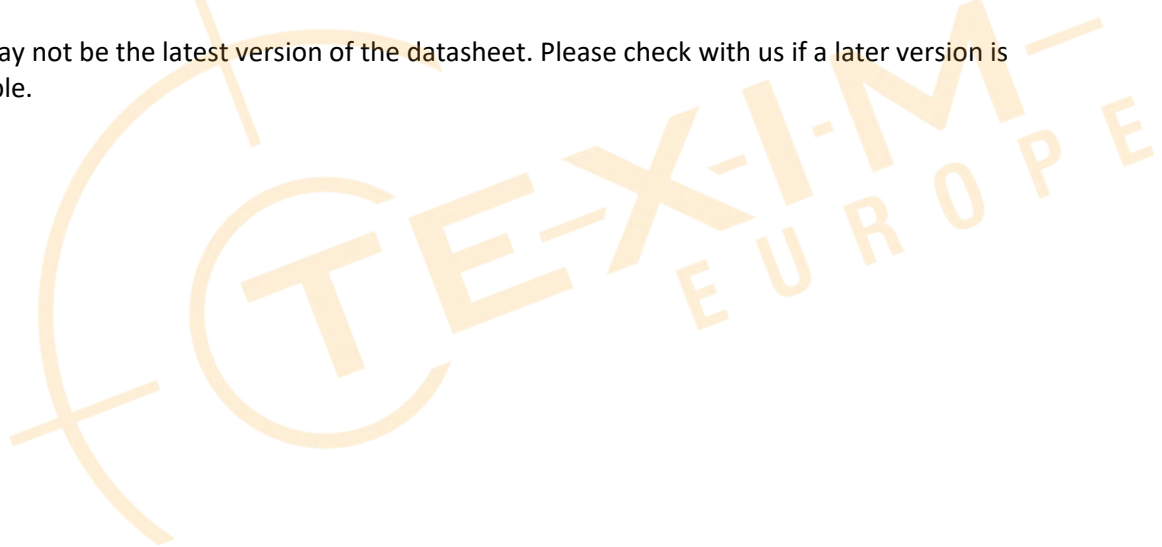
It is the customer's responsibility to validate that a particular product with the properties described in the product specification is suitable for use in a particular application.

Parameters provided in datasheets and / or specifications may vary in different applications and performance may vary over time.

All operating parameters, including typical parameters, must be validated for each customer application by the customer's technical experts.

Please contact us if you have any questions about the contents of the datasheet.

This may not be the latest version of the datasheet. Please check with us if a later version is available.





Headquarters & Warehouse

Elektrostraat 17
 NL-7483 PG Haaksbergen
 The Netherlands

T: +31 (0)53 573 33 33
 E: info@texim-europe.com
 Homepage: www.texim-europe.com



The Netherlands

Elektrostraat 17
 NL-7483 PG Haaksbergen

T: +31 (0)53 573 33 33
 E: nl@texim-europe.com



Belgium

Zuiderlaan 14, box 10
 B-1731 Zellik

T: +32 (0)2 462 01 00
 E: belgium@texim-europe.com



UK & Ireland

St Mary's House, Church Lane
 Carlton Le Moorland
 Lincoln LN5 9HS

T: +44 (0)1522 789 555
 E: uk@texim-europe.com



Germany

Bahnhofstrasse 92
 D-25451 Quickborn

T: +49 (0)4106 627 07-0
 E: germany@texim-europe.com



Germany

Martin-Kollar-Strasse 9
 D-81829 München

T: +49 (0)89 436 086-0
 E: muenchen@texim-europe.com



Austria

Martin-Kollar-Strasse 9
 D-81829 München

T: +49 (0)89 436 086-0
 E: austria@texim-europe.com



Nordic

Stockholmsgade 45
 2100 Copenhagen

T: +45 88 20 26 30
 E: nordic@texim-europe.com



Italy

Martin-Kollar-Strasse 9
 D-81829 München

T: +49 (0)89 436 086-0
 E: italy@texim-europe.com