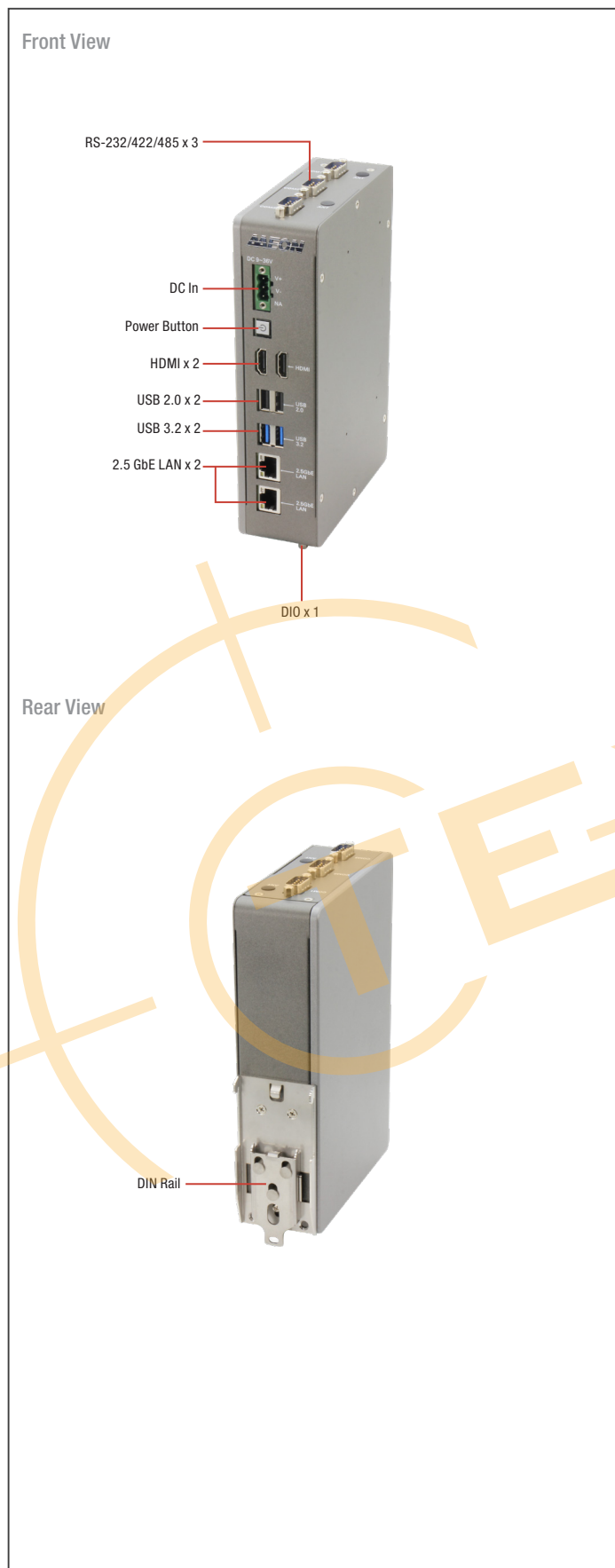


BOXER-6711-ADN

DIN Rail Mount Embedded BOX PC with Intel Atom® x7211E/Intel® Processor N-Series Processors



Features

- DIN Rail Mount Support
- Intel Atom® x7211E/Intel® Processor N-Series
- DDR5 4800 MT/s SODIMM slot
- Onboard TPM 2.0
- Wide Range 9~36V DC input
- Wide Operating Temperature -20°C~60°C



Specifications

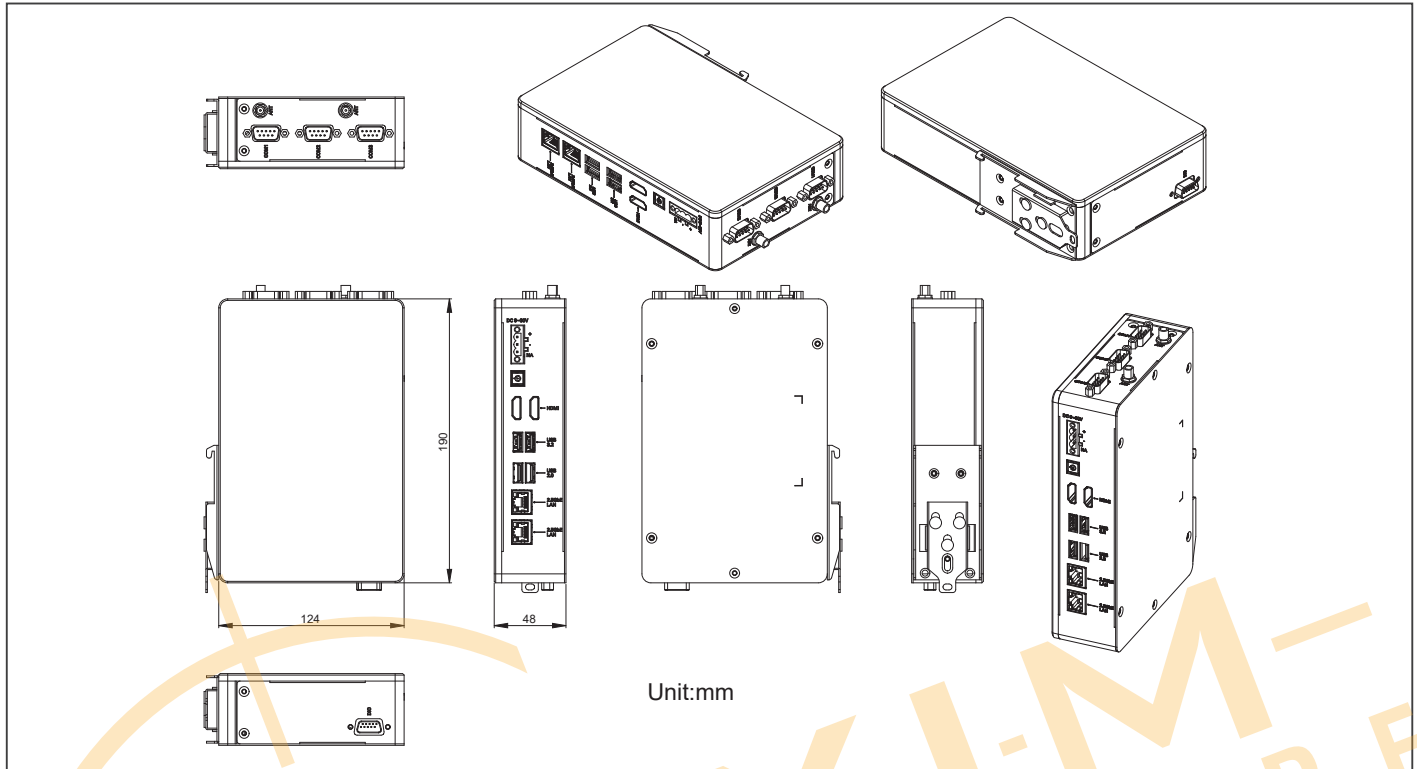
System	
CPU	Intel Atom® x7211E Intel® Processor N200 Intel® Processor N50
Chipset	Intel® SoC
System Memory	DDR5 4800 MT/s SO-DIMM slot x 1, up to 32GB
Display Interface	HDMI 1.4 x 2
Storage Device	M.2 2280 M-Key x 1 (PCIe [x2]) 2.5" SATA HDD/SSD x 1
Ethernet	RJ-45 x 2 for 2.5GbE LAN (Intel® Ethernet Controller I226)
I/O	HDMI 1.4 x 2 RJ-45 x 2 for 2.5GbE LAN (Intel® Ethernet Controller I226) USB 3.2 Gen 2 (Type-A) x 2 USB 2.0 (Type-A) x 2 DB-9 x 3 for RS-232/422/485 DB-15 x 1 for 8-bit DIO 3-pin Terminal Block for DC in x 1 Power Button with LED x 1
Expansion	M.2 2280 M-Key x 1 (PCIe [x2]) M.2 2230 E-Key x 1 Full Size Mini Card x1 (PCIe + USB) SIM Slot x 1
Indicator	—
OS Support	Windows® 10 IoT Enterprise Windows® 11 Pro Linux Ubuntu 22.04
Power Supply	
Power Requirement	DC-in 9-36V x1 for 3-pin Terminal Block
Mechanical	
Mounting	DIN Rail Mount
Dimensions (W x H x D)	1.89" x 7.48" x 4.88" (48mm x 190mm x 124mm)
Gross Weight	3.50 lb (1.59 Kg)
Net Weight	2.40 lb (1.09 Kg)
Environmental	
Operating Temperature	-4°F ~ 140°F (-20°C ~ 60°C), according to IEC68-2 with 0.5 m/s AirFlow (w/ Industrial wide Temp. SSD/RAM)
Storage Temperature	-40°F ~ 176°F (-40°C ~ 80°C)
Storage Humidity	5 ~ 95% @ 40°C, non-condensing
Anti-Vibration	3 Grms/ 5 ~ 500Hz/ operation (with SSD)
Certification	CE/FCC class A



BOXER-6711-ADN

Dimension

Unit: mm



Unit:mm

Packing List

- DIN Rail Bracket x 1
- Screw Package x 1
- 3 Pin DC-In Power Connector x 1
- BOXER-6711-ADN x 1

Optional Accessories

- **1255900849**
12V 84W Power Adapter
- **170X000799**
Power Cord (US type)
- **170X000800**
Power Cord (European Type)
- **170X000803**
Power Cord (Japanese Type)
- **9741EG25G0**
4G Module & Antenna (for global)

Ordering Information

Part Number	CPU	LAN	PCH	USB 3.2 Gen2	USB 2.0	RS-232/422/485	Storage	Display	Expansion	Mounting	Power	Operation Temp.
BOXER-6711-ADN-A1-1010	Intel® Processor N200	2	Intel SoC	2	2	3	M.2 2280 M Key Slot x1 (PCIex2) 2.5"SATA Drive Bay x1	HDMI x2	M.2 2280 M Key x1 (PCIex2) M.2 2230 E Key x1 Full-Size Minitcard x1 (PCIe + USB) SIM Slot	DIN Rail Mount	9~36V DC in	-4°F ~ 140°F (-20°C ~ 60°C), according to IEC68-2 with 0.5 m/s AirFlow (w/ Industrial wide Temp. SSD/RAM)
BOXER-6711-ADN-A2-1010	Intel® Processor N50	2	Intel SoC	2	2	3	M.2 2280 M Key Slot x1 (PCIex2) 2.5"SATA Drive Bay x1	HDMI x2	M.2 2280 M Key x1 (PCIex2) M.2 2230 E Key x1 Full-Size Minitcard x1 (PCIe + USB) SIM Slot	DIN Rail Mount	9~36V DC in	-4°F ~ 140°F (-20°C ~ 60°C), according to IEC68-2 with 0.5 m/s AirFlow (w/ Industrial wide Temp. SSD/RAM)
BOXER-6711-ADN-A3-1010	Intel Atom® x7211E	2	Intel SoC	2	2	3	M.2 2280 M Key Slot x1 (PCIex2) 2.5"SATA Drive Bay x1	HDMI x2	M.2 2280 M Key x1 (PCIex2) M.2 2230 E Key x1 Full-Size Minitcard x1 (PCIe + USB) SIM Slot	DIN Rail Mount	9~36V DC in	-4°F ~ 140°F (-20°C ~ 60°C), according to IEC68-2 with 0.5 m/s AirFlow (w/ Industrial wide Temp. SSD/RAM)

Disclaimer

ALL PRODUCTS, PRODUCT SPECIFICATIONS AND DATA ARE SUBJECT TO CHANGE WITHOUT NOTICE TO IMPROVE RELIABILITY, FUNCTION OR DESIGN OR OTHERWISE.

Texim Europe B.V. its affiliates, agents, and employees, and all persons acting on its or their behalf (collectively, "Texim"), disclaim any and all liability for any errors, inaccuracies or incompleteness contained in any datasheet or in any other disclosure relating to any product.

Texim makes no warranty, representation or guarantee regarding the suitability of the products for any particular purpose or the continuing production of any product.

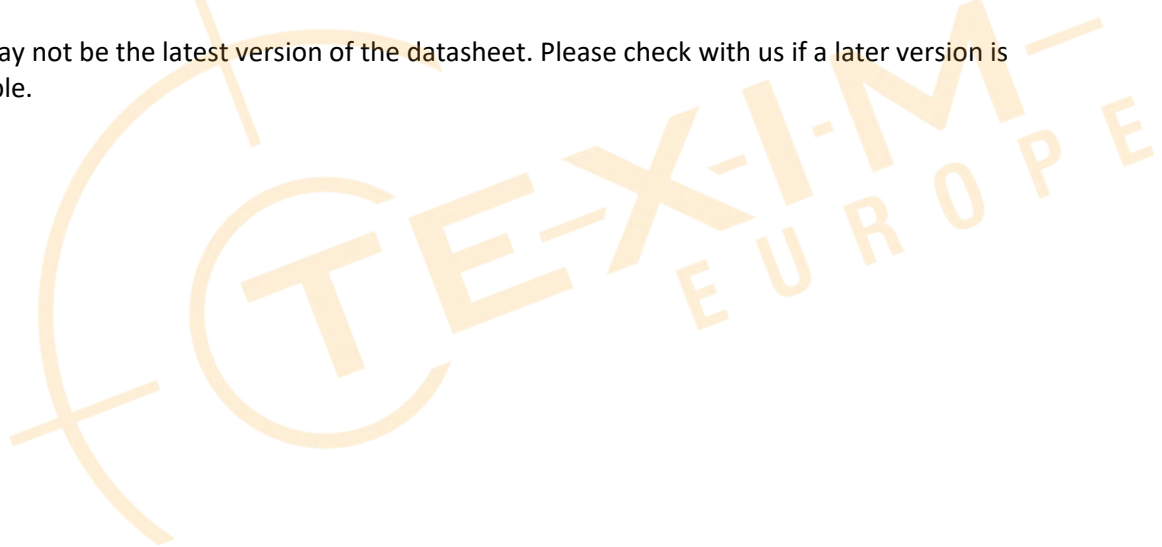
It is the customer's responsibility to validate that a particular product with the properties described in the product specification is suitable for use in a particular application.

Parameters provided in datasheets and / or specifications may vary in different applications and performance may vary over time.

All operating parameters, including typical parameters, must be validated for each customer application by the customer's technical experts.

Please contact us if you have any questions about the contents of the datasheet.

This may not be the latest version of the datasheet. Please check with us if a later version is available.





Headquarters & Warehouse

Elektrostraat 17
 NL-7483 PG Haaksbergen
 The Netherlands

T: +31 (0)53 573 33 33
 E: info@texim-europe.com
 Homepage: www.texim-europe.com



The Netherlands

Elektrostraat 17
 NL-7483 PG Haaksbergen

T: +31 (0)53 573 33 33
 E: nl@texim-europe.com



Belgium

Zuiderlaan 14, box 10
 B-1731 Zellik

T: +32 (0)2 462 01 00
 E: belgium@texim-europe.com



UK & Ireland

St Mary's House, Church Lane
 Carlton Le Moorland
 Lincoln LN5 9HS

T: +44 (0)1522 789 555
 E: uk@texim-europe.com



Germany

Bahnhofstrasse 92
 D-25451 Quickborn

T: +49 (0)4106 627 07-0
 E: germany@texim-europe.com



Germany

Martin-Kollar-Strasse 9
 D-81829 München

T: +49 (0)89 436 086-0
 E: muenchen@texim-europe.com



Austria

Martin-Kollar-Strasse 9
 D-81829 München

T: +49 (0)89 436 086-0
 E: austria@texim-europe.com



Nordic

Stockholmsgade 45
 2100 Copenhagen

T: +45 88 20 26 30
 E: nordic@texim-europe.com



Italy

Martin-Kollar-Strasse 9
 D-81829 München

T: +49 (0)89 436 086-0
 E: italy@texim-europe.com