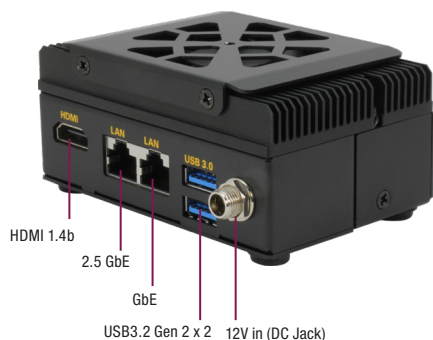


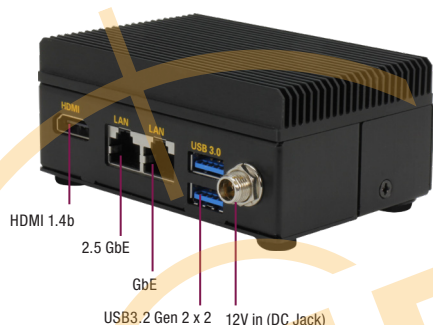
de next-TGU8-EZBOX

de next system with onboard 11th Gen. Intel® Core™ Series Processor

With Cooler



With Heatsink



Features

- Onboard 11th Gen. Intel® Core™ Series Processor, TDP 15W
- Onboard LPDDR4x 3733 up to 16GB
- HDMI 1.4b x 1
- 2.5GbE RJ45 x 1, GbE RJ45 x 1
- USB 3.2 Gen 2 x 2
- M.2 2280 M-Key x 1 (PCIe [x2] x 1)
- DC 12V in
- Multiple Dissipation Solutions: with CPU Cooler/Heatsink

Display Interface	HDMI 1.4b x 1, up to 3840 x 2160 @30Hz
Multiple Display	Single Display
Audio	
Codec	—
Audio Interface	—
Speaker	—
External I/O	
Ethernet	Intel® Ethernet Controller I225/I226, 2.5GbE RJ-45 x 1 Intel® Ethernet Connection I219, 1GbE RJ-45 x 1
USB	USB 3.2 Gen 2 x 2
Serial Port	—
Video	HDMI 1.4b x 1, up to 3840 x 2160 @30Hz
Internal I/O	
USB	—
Serial Port	—
Video	—
SATA	—
Audio	—
DIO/GPIO	—
SMBus/I2C	—
Touch	—
Fan	4 Pin Smart Fan (with Cooler version only)
Sim	—
Front Panel	—
Others	—
Expansion	
Mini PCIe/mSATA	—
M.2	M.2 2280 M-Key x 1 (PCIe 4.0 [x2] x 1)
Others	—
Environment & Certification	
Operating Temp.	14°F ~122°F (-10°C~50°C) with 0.7m/sec air flow
Storage Temp.	-40°F ~ 176°F (-40°C ~ 80°C)
Operating Humidity	0% ~ 90% relative humidity, non-condensing
MTBF (Hours)	609,263
EMC	CE/FCC Class A

Specifications

System	
Form Factor	de next System
CPU	Onboard 11th Gen Intel® Core™ Processors Intel® Core™ i7-1185G7E (4C/8T, 1.80 GHz, 15W), with Cooler Version Only Intel® Core™ i5-1145G7E (4C/8T, 1.50 GHz, 15W), with Cooler Version Only Intel® Core™ i3-1115G4E (2C/4T, 2.20 GHz, 15W), with Cooler Version & Heatsink Version
Chipset	Integrated with Intel® SoC
Memory Type	Onboard LPDDR4x 3733, up to 16GB
BIOS	UEFI
Wake on LAN	Yes
Watchdog Timer	255 Levels
Security	fTPM
RTC Battery	Lithium Battery 3V/240mAh
Dimensions	3.75" x 2.73" x 1.78" (95.5mm x 69.5mm x 45.4mm), with Cooler Version 3.75" x 2.73" x 1.67" (95.5mm x 69.5mm x 42.5mm), with Heatsink Version
OS Support	Windows 10 (64bit) Ubuntu 20.04.4 (Kernel 5.13)
Power	
Power Requirement	+12V
Power Supply Type	AT/ATX
Connector	DC Jack Connector
Power Consumption	Intel® Core™ i7-1185G7E, LPDDR4x 16GB, 4.58A@12V, 55W (Typical) Intel® Core™ i7-1185G7E, LPDDR4x 16GB, 7A@12V, 84W (Max)
Display	
Controller	Intel® UHD Graphics for 11th Gen Intel® Processors
LVDS/eDP	—

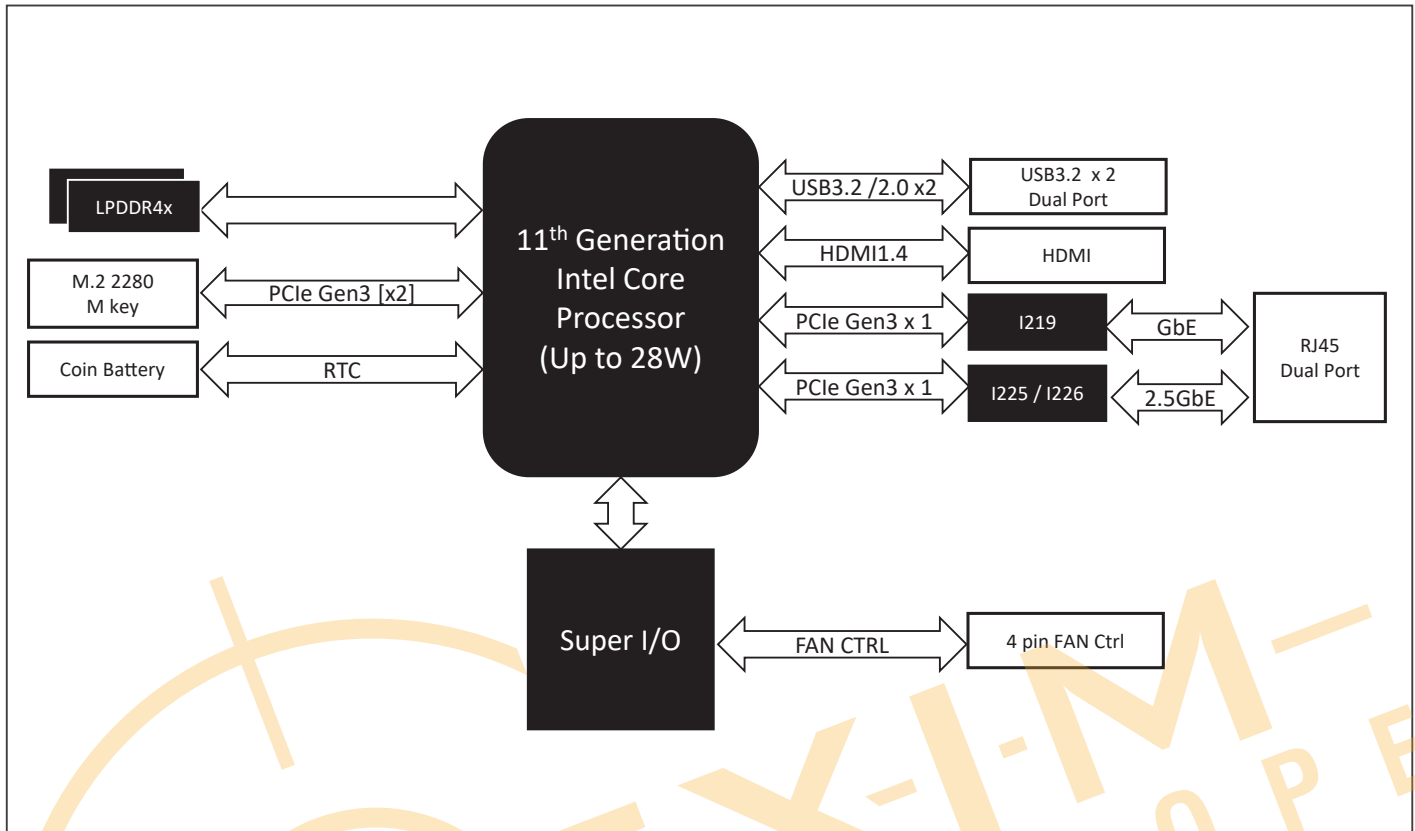
Packing List

- de next-TGU8-EZBOX x 1
- Wall Mount Bracket & Screw x 1
- Thermal Pad x 1

Optional Accessories

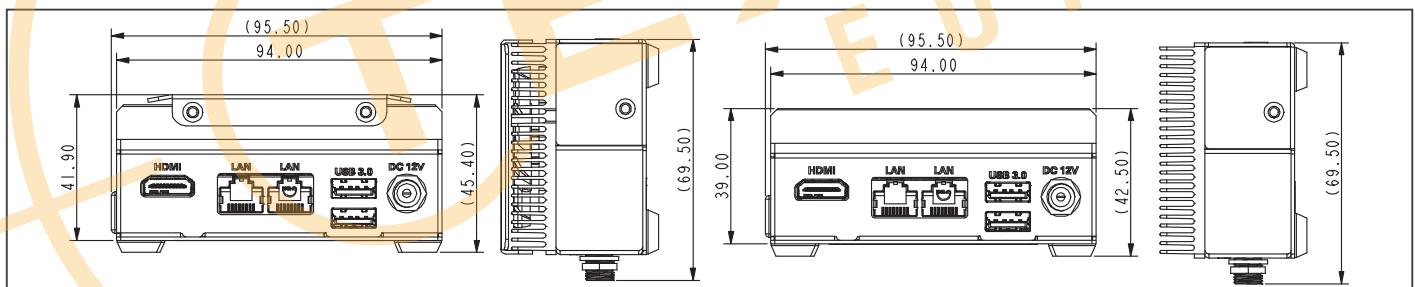
Part Number	Description	QTY
1255900903	(TF)Power Adapter:100/240V.50/60Hz.12V/7.5A.90W.DELTA.DPS-90AB-3 A	1

Block Diagram



Dimension

Unit: mm



Ordering Information

Part Number	CPU	Memory	Display	Storage	LAN	USB	COM Port	Expansion	Power	Operating Temperature	Others
DENEXT-TGU8-EBX-A10-A001	Intel® Core™ i7-1185G7E	Onboard LPDDR4x 16GB	HDMI 1.4 x 1	M.2 2280 M key (PCIe[x2] x 1)	2.5 GbE x 1, GbE x 1	USB 3.2 Gen 2 x 2	—	M.2 2280 M key (PCIe[x2] x 1)	+12V	-10°C ~ 50°C	with CPU Cooler Version
DENEXT-TGU8-EBX-A10-A002	Intel® Core™ i5-1145G7E	Onboard LPDDR4x 16GB	HDMI 1.4 x 1	M.2 2280 M key (PCIe[x2] x 1)	2.5 GbE x 1, GbE x 1	USB 3.2 Gen 2 x 2	—	M.2 2280 M key (PCIe[x2] x 1)	+12V	-10°C ~ 50°C	with CPU Cooler Version
DENEXT-TGU8-EBX-A10-A003	Intel® Core™ i3-1115G4E	Onboard LPDDR4x 16GB	HDMI 1.4 x 1	M.2 2280 M key (PCIe[x2] x 1)	2.5 GbE x 1, GbE x 1	USB 3.2 Gen 2 x 2	—	M.2 2280 M key (PCIe[x2] x 1)	+12V	-10°C ~ 50°C	with CPU Cooler Version
DENEXT-TGU8-EBX-A10-P001	Intel® Core™ i3-1115G4E	Onboard LPDDR4x 16GB	HDMI 1.4 x 1	M.2 2280 M key (PCIe[x2] x 1)	2.5 GbE x 1, GbE x 1	USB 3.2 Gen 2 x 2	—	M.2 2280 M key (PCIe[x2] x 1)	+12V	-10°C ~ 50°C	with Heatsink Version

Disclaimer

ALL PRODUCTS, PRODUCT SPECIFICATIONS AND DATA ARE SUBJECT TO CHANGE WITHOUT NOTICE TO IMPROVE RELIABILITY, FUNCTION OR DESIGN OR OTHERWISE.

Texim Europe B.V. its affiliates, agents, and employees, and all persons acting on its or their behalf (collectively, "Texim"), disclaim any and all liability for any errors, inaccuracies or incompleteness contained in any datasheet or in any other disclosure relating to any product.

Texim makes no warranty, representation or guarantee regarding the suitability of the products for any particular purpose or the continuing production of any product.

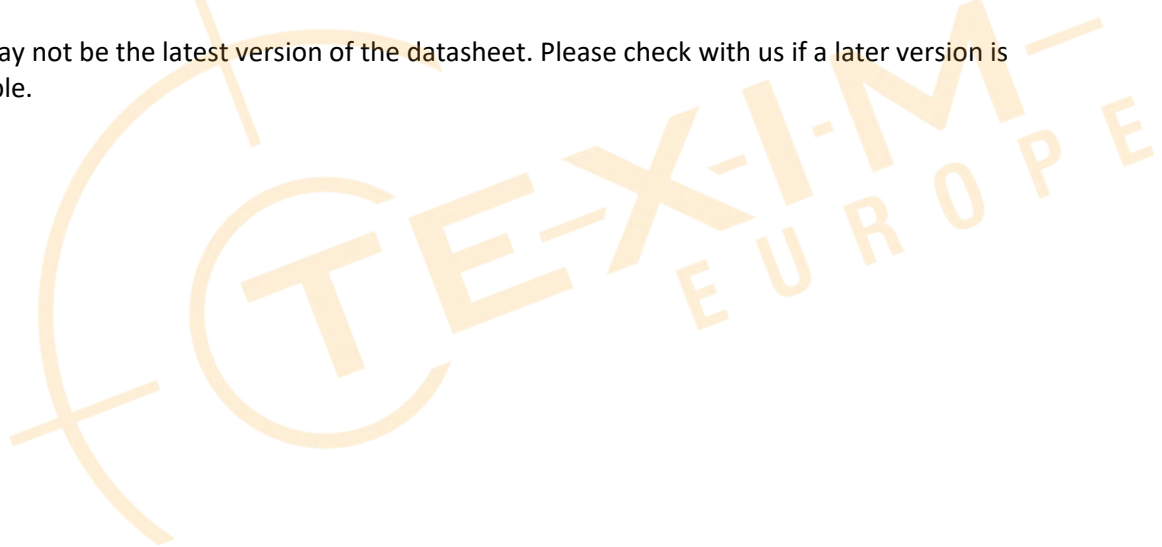
It is the customer's responsibility to validate that a particular product with the properties described in the product specification is suitable for use in a particular application.

Parameters provided in datasheets and / or specifications may vary in different applications and performance may vary over time.

All operating parameters, including typical parameters, must be validated for each customer application by the customer's technical experts.

Please contact us if you have any questions about the contents of the datasheet.

This may not be the latest version of the datasheet. Please check with us if a later version is available.





Headquarters & Warehouse

Elektrostraat 17
 NL-7483 PG Haaksbergen
 The Netherlands

T: +31 (0)53 573 33 33
 E: info@texim-europe.com
 Homepage: www.texim-europe.com



The Netherlands

Elektrostraat 17
 NL-7483 PG Haaksbergen

T: +31 (0)53 573 33 33
 E: nl@texim-europe.com



Belgium

Zuiderlaan 14, box 10
 B-1731 Zellik

T: +32 (0)2 462 01 00
 E: belgium@texim-europe.com



UK & Ireland

St Mary's House, Church Lane
 Carlton Le Moorland
 Lincoln LN5 9HS

T: +44 (0)1522 789 555
 E: uk@texim-europe.com



Germany

Bahnhofstrasse 92
 D-25451 Quickborn

T: +49 (0)4106 627 07-0
 E: germany@texim-europe.com



Germany

Martin-Kollar-Strasse 9
 D-81829 München

T: +49 (0)89 436 086-0
 E: muenchen@texim-europe.com



Austria

Martin-Kollar-Strasse 9
 D-81829 München

T: +49 (0)89 436 086-0
 E: austria@texim-europe.com



Nordic

Stockholmsgade 45
 2100 Copenhagen

T: +45 88 20 26 30
 E: nordic@texim-europe.com



Italy

Martin-Kollar-Strasse 9
 D-81829 München

T: +49 (0)89 436 086-0
 E: italy@texim-europe.com