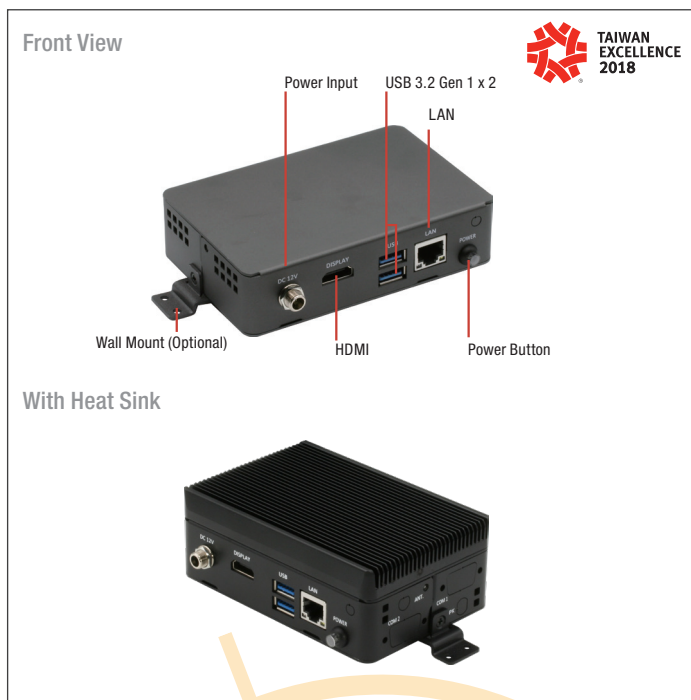


PICO-APL3-SEMI

PICO-SEMI Embedded Barebone Kit with Intel® Celeron/Pentium Processor SoC

PICO-SEMI



Specifications

SYSTEM	
FORM FACTOR	PICO-SEMI
CPU	Intel® Atom® / Celeron® / Pentium® Processors: N4200 (4C/4T, 1.10GHz, 6W) N3350 (2C/2T, 1.10GHz, 6W)
CHIPSET	Integrated with Intel® SoC
MEMORY TYPE	Onboard DDR3L 1866, Single Channel, Non-ECC (Max. 4GB)
BIOS	UEFI
WAKE ON LAN	Yes
WATCHDOG TIMER	255 Levels
SECURITY	TPM2.0 (Optional)
RTC Battery	Lithium Battery 3V/240mAh
DIMENSION	W/o heat sink: 4.80" x 3.18" x 1.18" (122mm x 80.8mm x 30mm) W/ heat sink: 4.80" x 3.18" x 1.75" (122mm x 80.8mm x 44.4mm)
Gross Weight	W/o heat sink: 0.38 lb (0.17 kg) W/ heat sink: 0.91 lb (0.41 kg)
OS Support	Windows 10 (64 bit) Linux Ubuntu 16.04.2 / Kernel 4.8.0-36
POWER	
POWER REQUIREMENT	+12V
POWER SUPPLY TYPE	ATX
CONNECTOR	DC Jack Connector
POWER CONSUMPTION	Intel® N4200, DDR3L 8GB x 1, 1.08A, eMMC 32GB@ +12V(TYPICAL)
DISPLAY	
CONTROLLER	Intel® HD Graphics 500/505
LVDS/eDP	—
Display Interface	HDMI 1.4 x 1, 3840 x 2160 @30Hz
Multiple Display	1 Simultaneous Display
AUDIO	
CODEC	Realtek ALC269 (Optional)
AUDIO INTERFACE	Line-out (Optional)
Speaker	—
EXTERNAL I/O	
ETHERNET	Realtek 8111 1GbE, RJ45 x 1
USB	USB 3.2 Gen1 x 2
SERIAL PORT	COM1~2 (RS232, Optional)
VIDEO	HDMI 1.4 x 1

Features

- 180g Extreme Light System, Easy To Adapter Everywhere
- Gigabit Ethernet for Networking Connection
- USB 3.2 Gen 1 Connectivity
- HDMI
- M.2 2280 (B) M.2 2230 (E) Slot for WiFi/3G/4G Bluetooth Module
- Fix Holes for Antenna, Wallmount, DIN-Rail Kit Optional
- Lockable 12V DC Input



INTERNAL I/O	
USB	—
SERIAL PORT	—
VIDEO	—
SATA	eMMC5.1 32GB (Optional to 16/64GB)
AUDIO	Line-out (Optional)
DIO/GPIO	—
SMBus/I2C	—
FAN	—
Front Panel	HDD LED, PWR LED, Power Button, Buzzer, Reset
Others	—
EXPANSION	
Mini PCI-E/mSATA	—
M.2	M.2 2230 E-Key x 1 (PCIe 3.0 [x1] + USB2.0) M.2 2280 B-Key x 1 (SATA + USB2.0)
Others	—
ENVIRONMENT & CERTIFICATION	
OPERATING TEMP	32°F ~ 122°F (0°C ~ 50°C) with 0.5 m/s airflow
STORAGE TEMP	-40°F ~ 185°F (-40°C ~ 85°C)
OPERATING HUMIDITY	0% ~ 90% relative humidity, non-condensing
MTBF (HOURS)	110,000
EMC	CE/FCC Class A

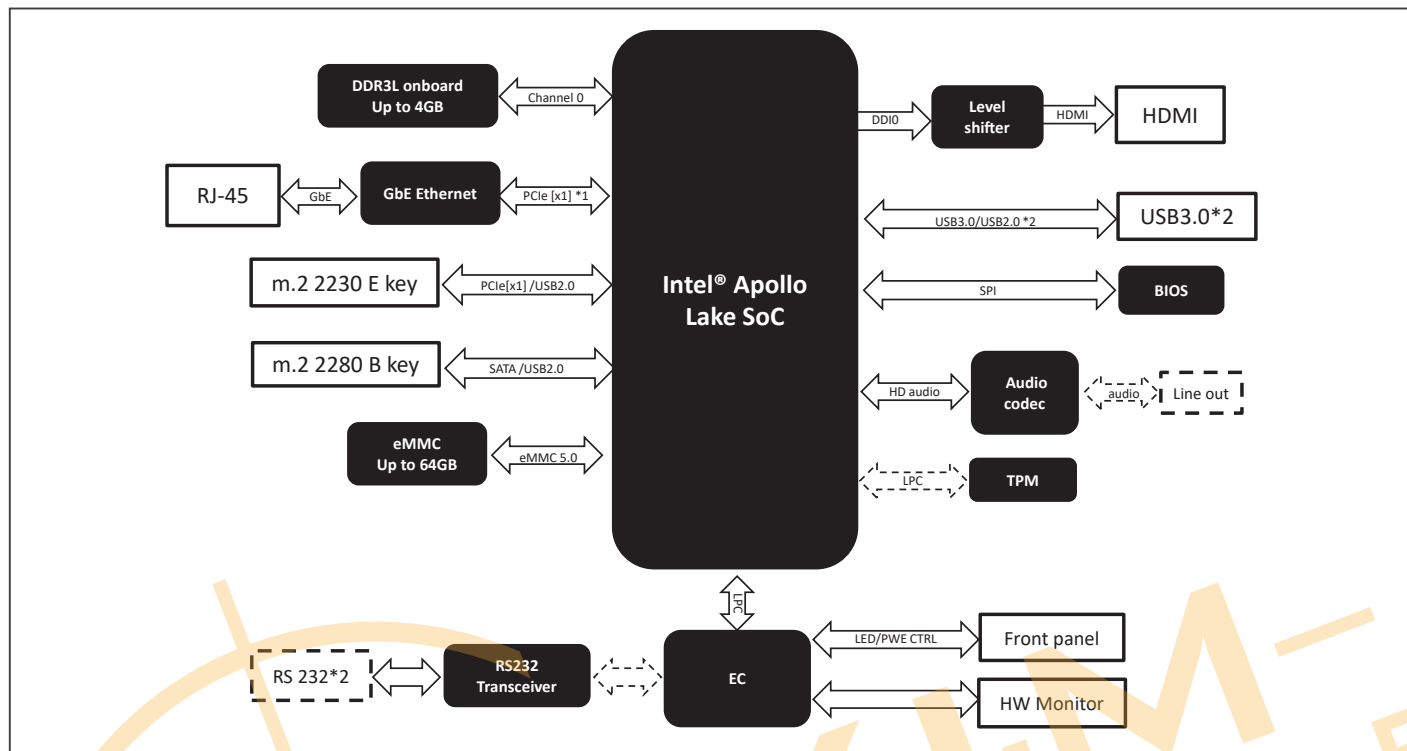
Packing List

- PICO-APL3-SEMI

Optional Accessories

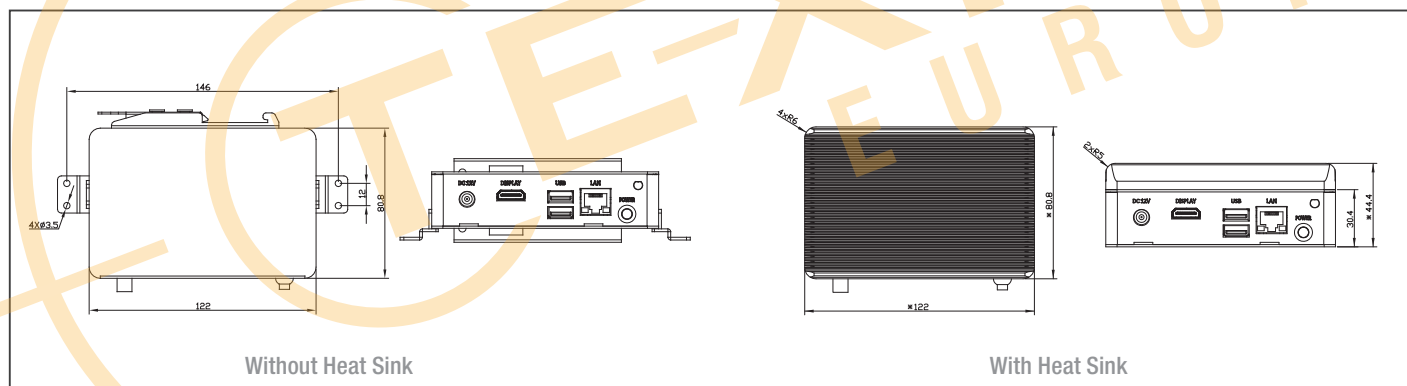
Part Number	Description	Qty.
125530040C	Power Adapter.12V.40W.FSP.FSP040-DHAN3.9NA0406805	1
125530060Z	Power Adapter 12V/5A 60W FSP060-DHAN3	1
1702031802	POWER CORD.3P-125V 10A 180D.1.8M USA (US Type)	1
1702031803	POWER CORD.3P-250V 10A 180D.1.8M.VDE (Europe Type)	1
170203180E	Power cord.3P.125V/7A.1.8M (Japan type)	1
1701090122	Flat Cable.120mm.for PICO-APL3.SEMI	2
1703100084	PHONE JACK Cable.80mm	1
9761SEM100	WALL MOUNT KITS	1
9761SEM101	DIN-RAIL Kits	1

Block Diagram



Dimension

Unit: mm



Ordering Information

Part number	CPU	Memory	Thermal	Display	Storage	LAN	USB	Expansion slot	Power	Operating Temp	Others
PICO-APL3-SEMI-A10-FS01	N3350	Onboard DDR3L 2GB	W/ heat sink	HDMI x 1	SATAIII x 1 eMMC 32GB	GbE x 1	USB3.2 Gen 1 x 2	M.2 2280 B-key x 1 M.2 2230 E-key x 1	+12V (ATX)	0~50°C	I2C x 1
PICO-APL3-SEMI-A10-FS02	N3350	Onboard DDR3L 4GB	W/ heat sink	HDMI x 1	SATAIII x 1 eMMC 32GB	GbE x 1	USB3.2 Gen 1 x 2	M.2 2280 B-key x 1 M.2 2230 E-key x 1	+12V (ATX)	0~50°C	I2C x 1
PICO-APL3-SEMI-A10-FS03	N4200	Onboard DDR3L 4GB	W/ heat sink	HDMI x 1	SATAIII x 1 eMMC 32GB	GbE x 1	USB3.2 Gen 1 x 2	M.2 2280 B-key x 1 M.2 2230 E-key x 1	+12V (ATX)	0~50°C	I2C x 1
PICO-APL3-SEMI-A10-FS04	N3350	Onboard DDR3L 2GB	W/O heat sink	HDMI x 1	SATAIII x 1 eMMC 32GB	GbE x 1	USB3.2 Gen 1 x 2	M.2 2280 B-key x 1 M.2 2230 E-key x 1	+12V (ATX)	0~50°C	I2C x 1
PICO-APL3-SEMI-A10-FS05	N3350	Onboard DDR3L 4GB	W/O heat sink	HDMI x 1	SATAIII x 1 eMMC 32GB	GbE x 1	USB3.2 Gen 1 x 2	M.2 2280 B-key x 1 M.2 2230 E-key x 1	+12V (ATX)	0~50°C	I2C x 1
PICO-APL3-SEMI-A10-FS06	N4200	Onboard DDR3L 4GB	W/O heat sink	HDMI x 1	SATAIII x 1 eMMC 32GB	GbE x 1	USB3.2 Gen 1 x 2	M.2 2280 B-key x 1 M.2 2230 E-key x 1	+12V (ATX)	0~50°C	I2C x 1

Disclaimer

ALL PRODUCTS, PRODUCT SPECIFICATIONS AND DATA ARE SUBJECT TO CHANGE WITHOUT NOTICE TO IMPROVE RELIABILITY, FUNCTION OR DESIGN OR OTHERWISE.

Texim Europe B.V. its affiliates, agents, and employees, and all persons acting on its or their behalf (collectively, "Texim"), disclaim any and all liability for any errors, inaccuracies or incompleteness contained in any datasheet or in any other disclosure relating to any product.

Texim makes no warranty, representation or guarantee regarding the suitability of the products for any particular purpose or the continuing production of any product.

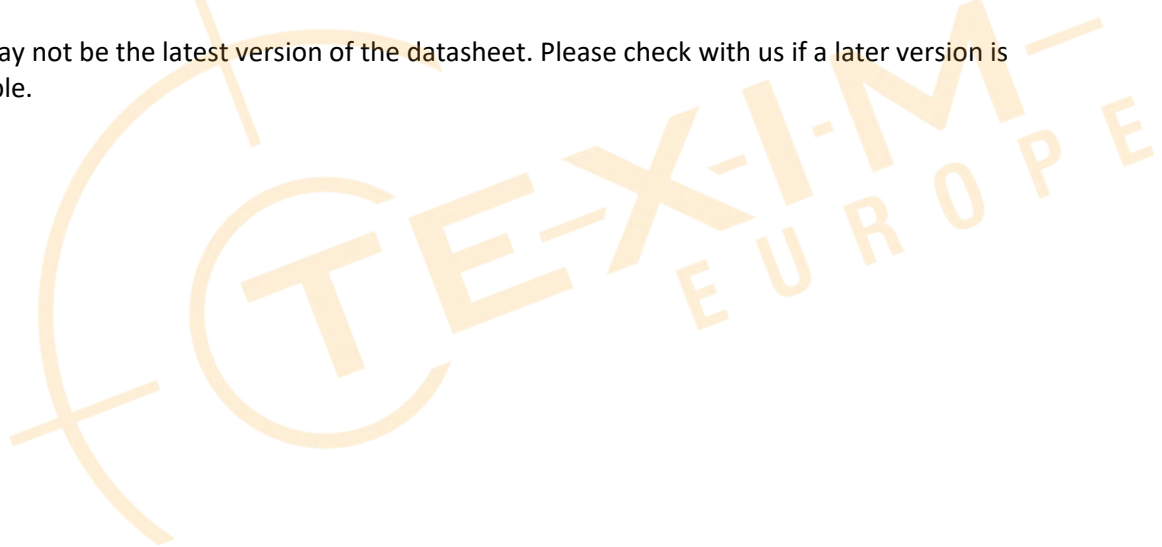
It is the customer's responsibility to validate that a particular product with the properties described in the product specification is suitable for use in a particular application.

Parameters provided in datasheets and / or specifications may vary in different applications and performance may vary over time.

All operating parameters, including typical parameters, must be validated for each customer application by the customer's technical experts.

Please contact us if you have any questions about the contents of the datasheet.

This may not be the latest version of the datasheet. Please check with us if a later version is available.





Headquarters & Warehouse

Elektrostraat 17
 NL-7483 PG Haaksbergen
 The Netherlands

T: +31 (0)53 573 33 33
 E: info@texim-europe.com
 Homepage: www.texim-europe.com



The Netherlands

Elektrostraat 17
 NL-7483 PG Haaksbergen

T: +31 (0)53 573 33 33
 E: nl@texim-europe.com



Belgium

Zuiderlaan 14, box 10
 B-1731 Zellik

T: +32 (0)2 462 01 00
 E: belgium@texim-europe.com



UK & Ireland

St Mary's House, Church Lane
 Carlton Le Moorland
 Lincoln LN5 9HS

T: +44 (0)1522 789 555
 E: uk@texim-europe.com



Germany

Bahnhofstrasse 92
 D-25451 Quickborn

T: +49 (0)4106 627 07-0
 E: germany@texim-europe.com



Germany

Martin-Kollar-Strasse 9
 D-81829 München

T: +49 (0)89 436 086-0
 E: muenchen@texim-europe.com



Austria

Martin-Kollar-Strasse 9
 D-81829 München

T: +49 (0)89 436 086-0
 E: austria@texim-europe.com



Nordic

Stockholmsgade 45
 2100 Copenhagen

T: +45 88 20 26 30
 E: nordic@texim-europe.com



Italy

Martin-Kollar-Strasse 9
 D-81829 München

T: +49 (0)89 436 086-0
 E: italy@texim-europe.com