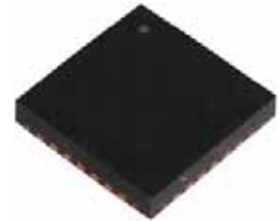


PenMount 6000 Touch Screen Controller IC

PenMount 6000 touch screen controller is the best performance touch screen controller, it is designed to have PnP features to meet the new systems trend. It is also a very good performance of RS-232 and USB interface on the touch screen. PenMount 6000 has been designed for those who may like and all-in-one solution with 10-bit A/D converter built-in to make the total printed circuit board denser.



PenMount 6000 Specifications

RoHS Compliance (SGS Report Number: CE/2005/94560)

Touch Screen:	4, 5 , 8-wire
Package:	28-pin QFN
Communications:	RS-232 19200 / 9600 baud rate USB Full-speed, 12Mbps
Nature:	<ul style="list-style-type: none">- High-speed pipelined 8051-compatible microcontroller core (up to 25MIPS)- True 10-bit 200 ksps 17-channel single-ended/differential ADC with analog multiplexer- On-chip Voltage Reference and Temperature Sensor- On-chip Voltage Comparators- 12 MHz internal oscillator- On-chip FLASH memory- USB, UART, SPI interfaces implemented in hardware- Programmable Counter / Timer Array / compare modules / Watchdog Timer function- On-chip Power-On Reset, VDD Monitor, and Missing Clock Detector
Sample Rate	160 points per second
Resolution	1024x1024 / 4096x4096 (Optional)
Resistance Range:	50~1.3K ohm
Operating Voltage:	+5V DC \pm 5%
Operating Temperature:	-40° C to +85° C
Storage Temperature:	-65° C to +150° C
Power Consumption	Standby Mode : 13.4 mA ; Active Mode : 24.6 mA (VCC=+5V, Top sheet Panel Resistance: 274 ohm ; Bottom sheet Panel Resistance: 770 ohm)

Driver Software

Windows 2000/XP/XPE/2003 and Vista

WinCE 4.2/5.0/6.0 (for X86, Armv4, Armv4i, MIPS, SH3, SH4 Platform),

Linux OS (kernel 2.6 and X-Window mode)

Packaging Information:

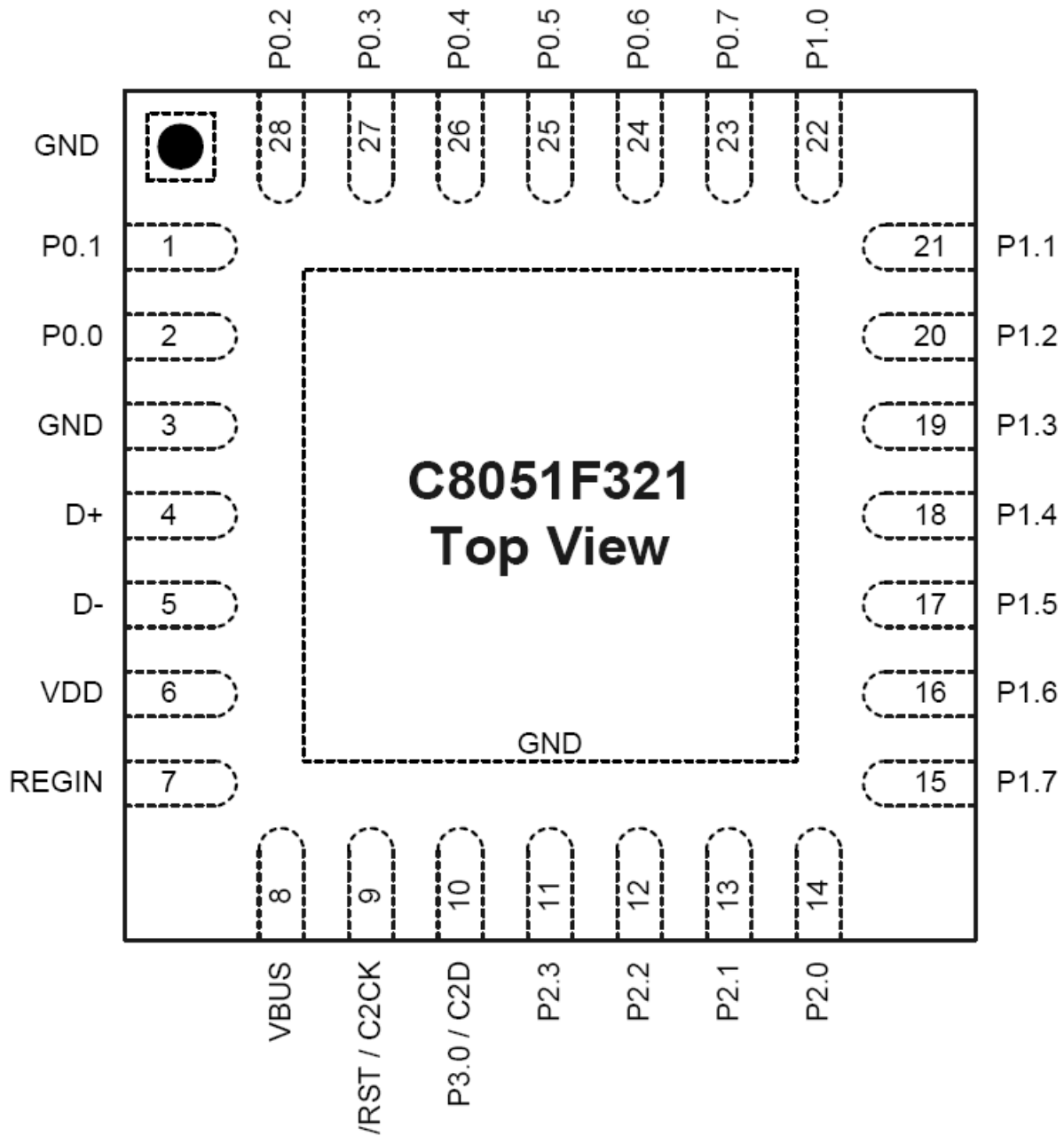


Figure 4.3. QFN-28 Pinout Diagram (Top View)

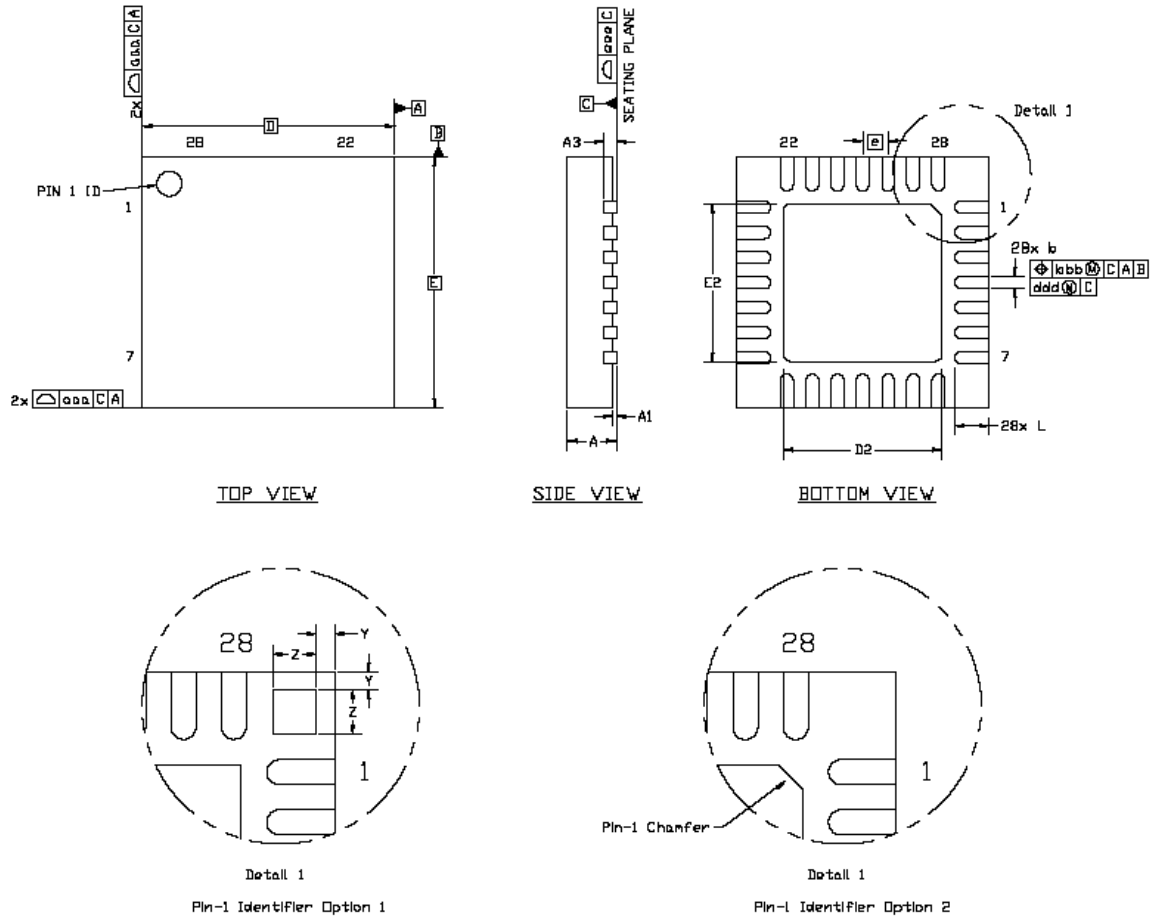


Figure 4.4. QFN-28 Package Drawing

Table 4.3. QFN-28 Package Dimensions

Dimension	Min	Nom	Max	Dimension	Min	Nom	Max
A	0.80	0.90	1.00	E2	2.90	3.15	3.35
A1	0.03	0.07	0.11	L	0.45	0.55	0.65
A3	0.25 REF			aaa	0.15		
b	0.18	0.25	0.30	bbb	0.10		
D	5.00 BSC.			ddd	0.05		
D2	2.90	3.15	3.35	eee	0.08		
e	0.50 BSC.			Z	0.435		
E	5.00 BSC.			Y	0.18		

Notes:

- All dimensions shown are in millimeters (mm) unless otherwise noted.
- Dimensioning and Tolerancing per ANSI Y14.5M-1994.
- This drawing conforms to JEDEC outline MO-243, variation VHHD except for custom features D2, E2, L, Z, and Y which are toleranced per supplier designation.
- Recommended card reflow profile is per the JEDEC/IPC J-STD-020C specification for Small Body Components.