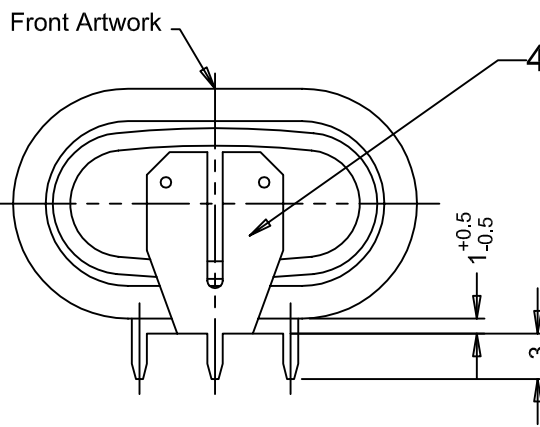
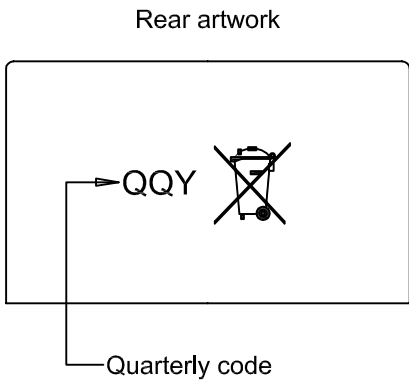
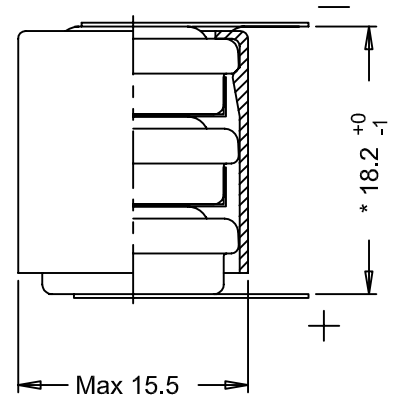
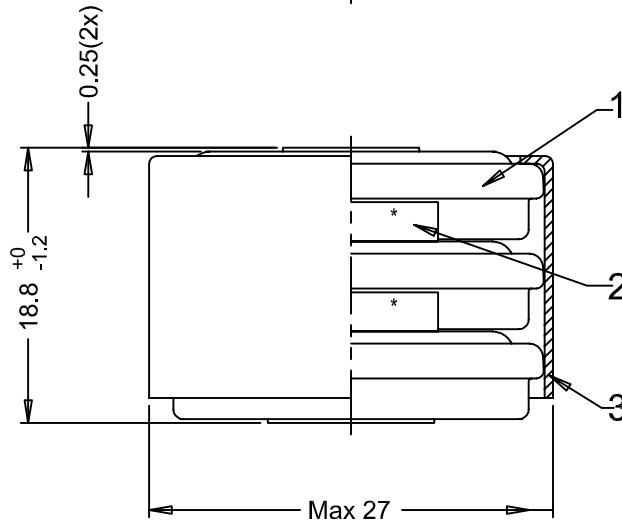
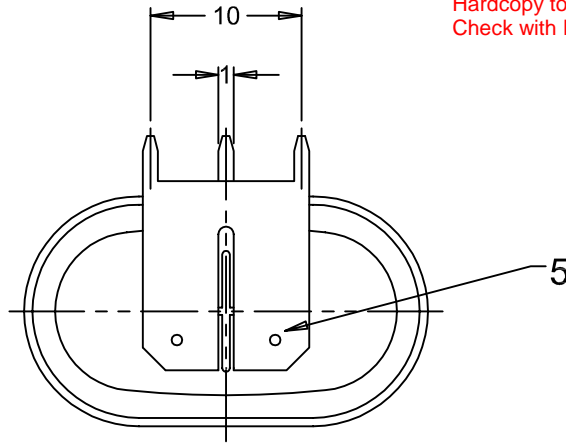


This is a controlled document.  
 Hardcopy to be endorsed by authorized person.  
 Check with Issuing Office or SAP system for latest update.



Note: 1) No welding onto the groove  
 2)\* Dimension for reference only

Approx. wt : 18.4g

1	R338/08	To add crossed-out wheeled bin	2008-10-13	Syamsul
No	AO No	Revisions	1	Date Name

Projection:		Material: Refer to part list no: 070955		Description: 3/V150H battery with snap-on plastic casing & solder tags	
Dimensions in mm		Prepared & Checked	Verified & Approved	Dwg. No: 070955	4 0 1
Tolerance: As specified		1997-10-24	C.Y.LEE	VKB Order No: 55615 603 059	
Scale: 2 : 1					

Rights reserved to make technical changes, as a result of further development, without notice. This drawing is the property of VARTA Microbattery and must not be copied or disclosed to a third party without the written consent of VARTA Microbattery.

