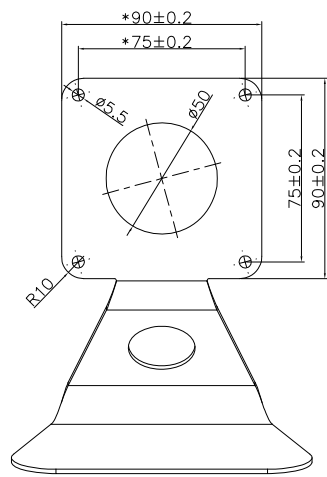
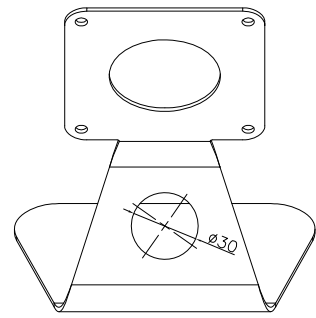
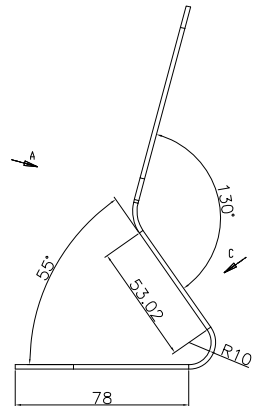
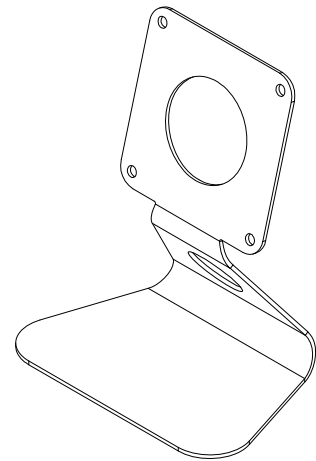
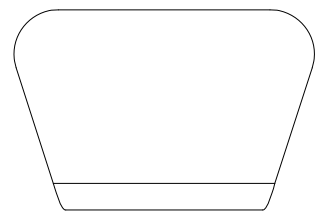
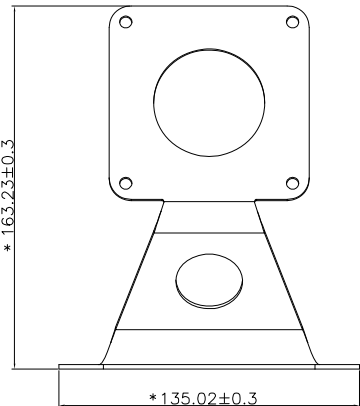
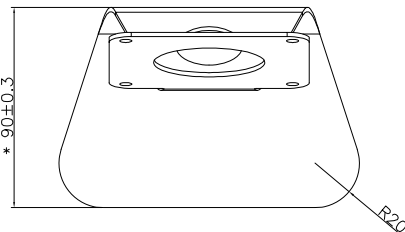


| ITEM | DATE | REMARK | DESIGNED | APPROVED |
|------|------|--------|----------|----------|
| 1    |      |        |          |          |
| 2    |      |        |          |          |
| 3    |      |        |          |          |



FR A



FR C

材質: SECC  
 厚度: 2.0mm  
 外觀: 烤漆PMS-877C-02銀色

|  |                     |                     |            |  |                       |                    |
|--|---------------------|---------------------|------------|--|-----------------------|--------------------|
| GENERAL TOL.<br>>0 ±0.1<br>>10 ±0.2<br>>50 ±0.3<br>>200 ±0.5<br>>500 ±0.8<br>ANGLE TOL.<br>±0.5° | MATERIAL: SECC 銀色   | PART No. M041073020 |            | <b>AEON</b> <sup>®</sup> Technology Inc.<br>An <b>AVULUS</b> Company |                       |                    |
|  | SPEC.: t 2.0 mm     | DWG No. M041073020  |            |  |                       |                    |
|  | FINISH: PMS-877C-02 | APPROVED            | CHECKED    | DESIGNED   | NAME: STAND BRACKET   |                    |
|  | UNIT: MM            |                     |            | TONY<br>2013.10.22   | ET CHEN<br>2013.10.22 | MODEL No. ACP-1073 |
| SCALE:   |                     |                     | 2013.10.22 | 2013.10.22   | REV. 0.0              | SHEET: 1 / 1       |