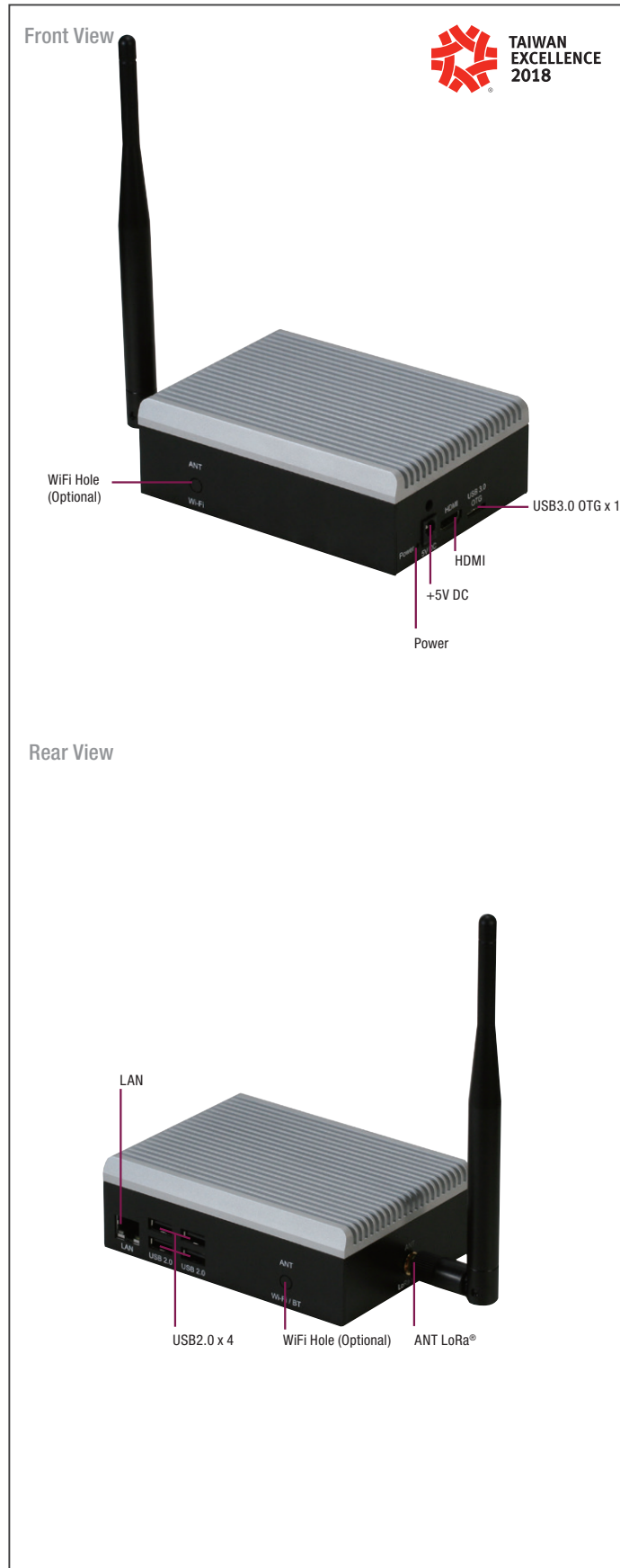


LoRa[®] Certified Intel[®] Based Gateway and Network Server

Features

- Intel[®] Atom[™] x5-Z8350 SoC
- Onboard 4 GB DDR3L Memory, 64 GB eMMC Storage
- Gigabit LAN x 1, HDMI x 1
- USB 2.0 x 4, USB 3.0 OTG x 1
- LoRa[®] Function Supported
- Supports Frequency Band 868 MHz

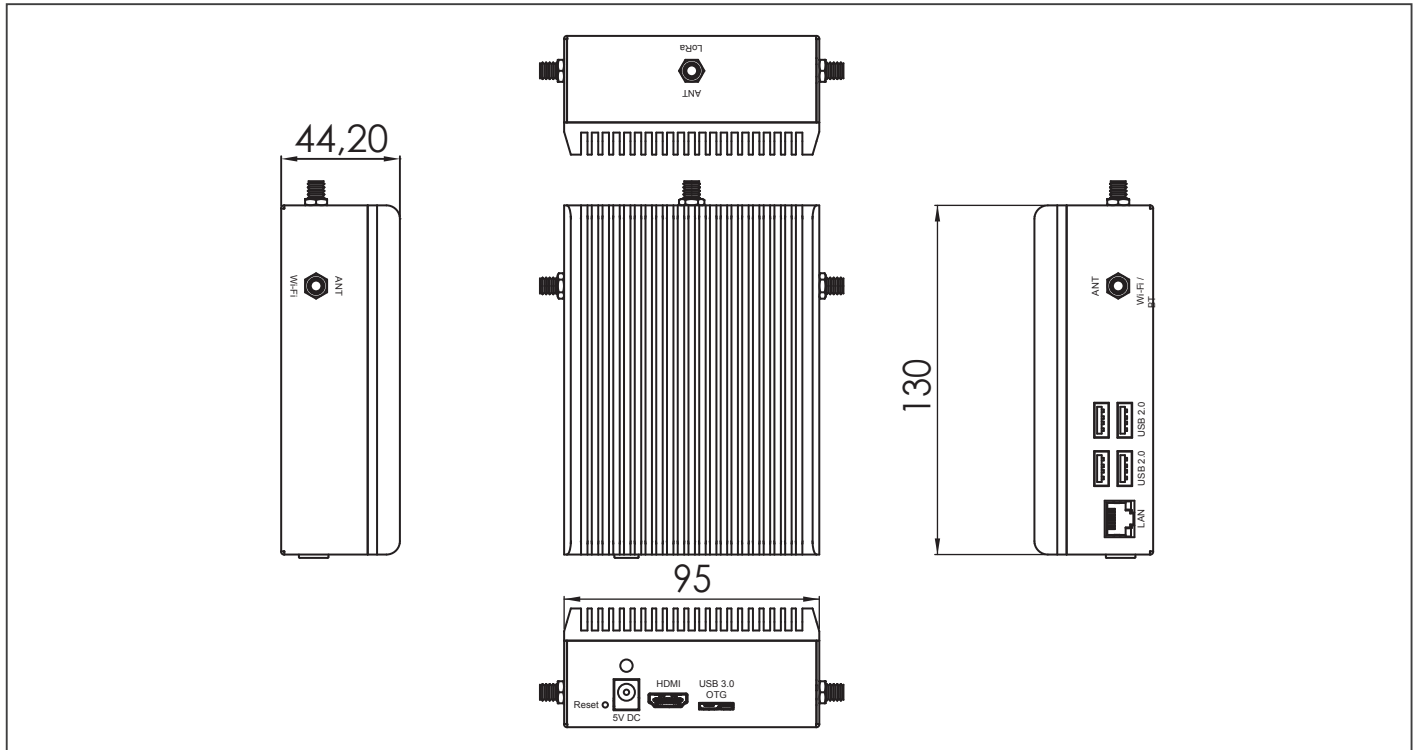


Specifications

System	
CPU	Intel [®] Atom [™] x5-z8350 SoC
Memory	Onboard 4GB DDR3L-1600 memory
Graphics	Intel [®] HD 400 Graphics ,12 EU GEN 8, up to 500MHz Supports DX*11.1/12, Open GL*4.2, Open CL*1.2 OGL ES3.0, H.264, HEVC (decode), VP8
Storage	64 GB eMMC on board x 1
Ethernet	Realtek 8111G x 1
Audio	HDMI Audio x 1
USB	USB2.0 x 4, USB 3.0 OTG x 1
LoRa [®] Function	Frequency band 868MHz Sensitivity down to -138 dBm Tx/Rx front-ends x 2 RF interface optimized to 50Ω Output power level up to 20 dBm Range up to 15 km (Line of Sight)
I/O Placements	
External I/O Connector	RJ45 Connector x 1 HDMI Connector x 1 USB 2.0 Stack Connector x 2 USB 3.0 OTG x 1 DC connector x 1
Others	
Power	5V DC Only
Form Factor	5.12" x 3.74" x 1.74" (130mm x 95mm x 44.2mm)
Operating Temperature	32°F ~ 122°F (0°C ~ 50°C)
Operating Humidity	0% ~ 90% relative humidity, non-condensing
Certification	CE
OS Support	Ubuntu

Dimension

Unit: mm



Ordering Information

Product SKU	Description
AIOT-ILRA01-A10-CA40464EU	AIOT-ILRA01, w/4G memory, 64G Emmc board, LoRa [®] w/o VESA plate
AIOT-ILRA01-A10-CA41464EU	AIOT-ILRA01, w/4G memory, 64G Emmc board, LoRa [®] w/VESA plate

Packing List

- LoRa[®] Antenna
- AIOT-ILRA01

Optional Accessories

- 9751AIQA00
Din-Rail Mounting Accessory

Distributed by:



The Netherlands



Elektrostraat 17
NL-7483 PG Haaksbergen

T: +31 (0)53 573 33 33
F: +31 (0)53 573 33 30
E: nl@texim-europe.com

Belgium



Zuiderlaan 14 bus 10
B-1731 Zellik

T: +32 (0)2 462 01 00
F: +32 (0)2 462 01 25
E: belgium@texim-europe.com

UK & Ireland



St. Mary's House, Church Lane
Carlton Le Moorland
Lincoln LN5 9HS

T: +44 (0)1522 789 555
F: +44 (0)845 299 22 26
E: uk@texim-europe.com

Germany North



Bahnhofstrasse 92
D-25451 Quickborn

T: +49 (0)4106 627 07-0
F: +49 (0)4106 627 07-20
E: germany@texim-europe.com

Germany South



Martin-Kollar-Strasse 9
D-81829 München

T: +49 (0)89 436 086-0
F: +49 (0)89 436 086-19
E: germany@texim-europe.com

Austria



Warwitzstrasse 9
A-5020 Salzburg

T: +43 (0)662 216 026
F: +43 (0)662 216 026-66
E: austria@texim-europe.com

Nordic region



Sdr. Jagtvej 12
DK-2970 Hørsholm

T: +45 88 20 26 30
F: +45 88 20 26 39
E: nordic@texim-europe.com

General information



info@texim-europe.com
www.texim-europe.com