



GET IN
TOUCH

LUMOTAST 16

Flat. Reliable. Flexible.



Distributed by:



A CLEAR SIGNAL

LUMOTAST 16 – FLAT. RELIABLE. FLEXIBLE.

Space for pushbuttons and switches is limited on many devices – especially when they must be both handy and user-friendly. This has previously led to compromises in this area – in terms of the design or quality. That's why we developed the LUMOTAST 16.

The new single pushbutton series, consisting of a pushbutton and emergency stop, is designed primarily for use in applications such as equipment manufacturing and hand-held terminals. This space-saving component family is equally impressive at the front and at the rear.

PUSHBUTTONS

The built-in tactile switches offer crisp feedback. Special, first-class switching behavior is achieved, combined with full area illumination. Our illuminated pushbuttons can be labeled to suit any application by the manufacturer or customer.

EMERGENCY STOP

The LUMOTAST 16 emergency stop variant reliably brings machines and equipment to a standstill. With its attractive design, the LUMOTAST 16 is a real eye-catcher.

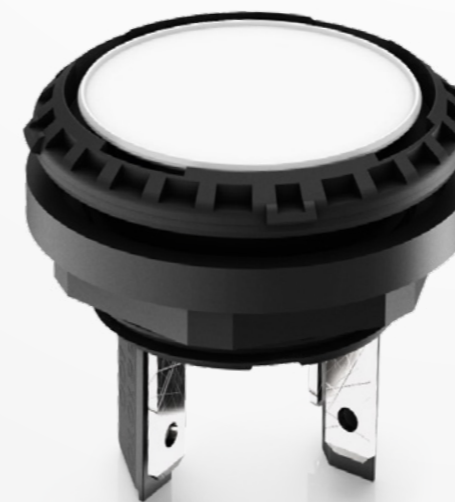
For hand-held devices, the trend is towards wireless solutions with a radio connection to the machine. The emergency stop buttons used here must offer special functions, such as our special "active/inactive" emergency stop variant – an innovation with a signaling effect. Precisely matched to the applicable safety standards, this special emergency stop not only increases safety, but also convenience. Our "active/inactive" variant only switches if the device is connected to the machine. To avoid confusion, the translucent special variant lights up red when active. The hard-wired emergency stop on the machine or system is not affected by this.

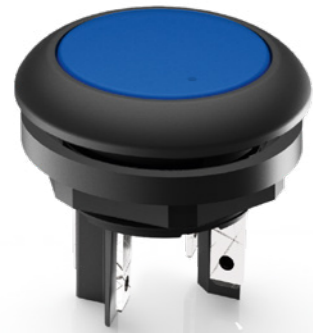
YOUR BENEFITS AT A GLANCE:

- Product range with a wide variety of possible applications and uses in industry
- Standardized mounting hole diameter 16.2 mm
- Mounting depth just 18.0 mm
- Very compact, flat design – from the front
- Flexible and simple labeling options
- Pushbuttons with crisp feel
- Degree of protection IP 65 and IP 67
- Dupe-proof and illuminated emergency stop switches to IEC 60 947-5-5

LUMOTAST 16 PRODUCT PORTFOLIO:

- C-LAB pushbutton and C-LAB illuminated pushbutton with customized labeling
- Illuminated pushbutton
- Pushbutton
- Emergency stop
- "active/inactive" emergency stop

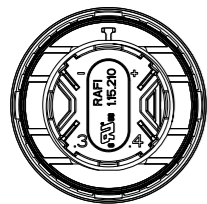
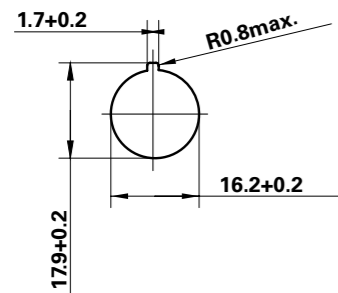
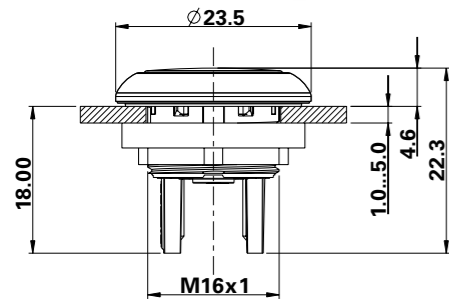




LUMOTAST 16

C-LAB

→ LUMOTAST 16 C-LAB pushbuttons or illuminated pushbuttons can be configured easily by the customer. This means various front ring colors can be combined with the bezels according to the user's own wishes or design preferences. It also means that customized label symbols or texts can be implemented.



→ General	
Model designation	Pushbutton; C-LAB illuminated pushbutton
Collar shape	round
Front ring color	see order pad
→ Mounting dimensions	
Collar dimension	23.5 mm
Overall height	22.3 mm
Mounting depth	18.0 mm
Mounting hole	16.2 mm
Key grid	25 x 25 mm
→ Technical data	
Fixing	Threaded ring
Torque for threaded ring	max. 0.8 Nm
Terminal on the rear	Male quick-connect terminal 2.8 x 0.5 mm
Contact material	Gold
→ Electrical data	
Contact configuration	1 NO
Rated voltage, min.	0.02 V
Rated voltage, max.	35 V
Max. rated voltage as per UL 60 947	30 V AC (42.4 V peak)
Rated current, min.	0.01 mA
Rated current, max.	100 mA
Rated power, max.	1 W
LED operating voltage, min.	10 V DC
LED operating voltage, max.	32 V DC
LED operating current, min.	18 mA
LED operating current, max.	22 mA
LED terminal marking	Anode +, Cathode -
→ Other details	
Operating temperature	-25°C to +70°C
Storage temperature	-40°C to +80°C
Operating life (switching operations)	500,000
B10	600,000
Degree of protection, front side	IP65; IP67
ROHS compliant	Yes
REACH compliant	Yes

LUMOTAST 16, C-LAB



Basic version with insertion adapter



Legend insert



Bezel, transparent

→ LUMOTAST 16 pushbutton C-LAB

	Color	Order no.
C-LAB pushbutton, basic version	-	1.15.210.900/0000
C-LAB bezel	opaque black	5.00.888.504/0100
C-LAB bezel	opaque white	5.00.888.504/0200
C-LAB bezel	opaque red	5.00.888.504/0300
C-LAB bezel	opaque yellow	5.00.888.504/0400
C-LAB bezel	opaque green	5.00.888.504/0500
C-LAB bezel	opaque blue	5.00.888.504/0600

Please always order basic version, bezel and front ring. Delivery in single parts.

→ LUMOTAST 16 C-LAB illuminated pushbutton

	Color	Order no.
C-LAB illuminated pushbutton, basic version	-	1.15.210.910/0000
C-LAB bezel	translucent white	5.00.888.505/2200
C-LAB bezel	translucent red	5.00.888.505/2300
C-LAB bezel	translucent yellow	5.00.888.505/2400
C-LAB bezel	translucent green	5.00.888.505/2500
C-LAB bezel	translucent blue	5.00.888.505/2600

Please always order basic version, bezel and front ring. Delivery in single parts.

→ LUMOTAST 16 C-LAB illuminated pushbutton, inscribable

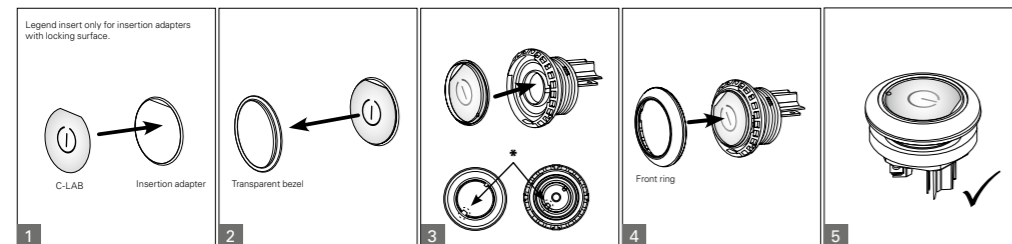
	Color	Order no.
C-LAB illuminated pushbutton, inscribable, basic version	-	1.15.210.920/0000
C-LAB bezel	transparent white	5.00.888.506/1000
C-LAB bezel	transparent red	5.00.888.506/1300
C-LAB bezel	transparent yellow	5.00.888.506/1400
C-LAB bezel	transparent green	5.00.888.506/1500
C-LAB bezel	transparent blue	5.00.888.506/1600

Labeling sheet DIN A4, with 7x9 legend insert, unlabeled for self-printing

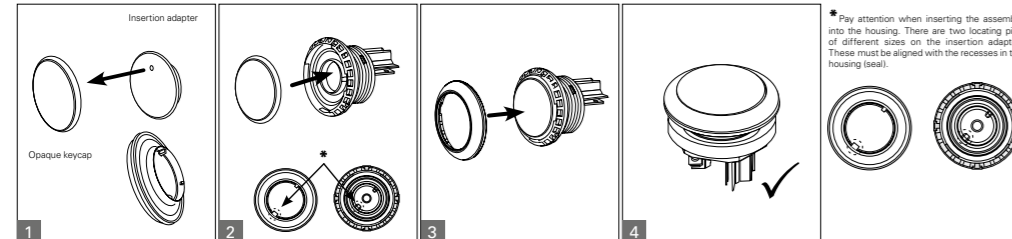
Please always order basic version, bezel and front ring. Delivery in single parts.

C-LAB, ASSEMBLY INSTRUCTIONS

ASSEMBLY WITH TRANSPARENT BEZEL



ASSEMBLY WITH OPAQUE BEZEL



→ Front rings

Front ring	Order no.
black	5.00.888.510/0100
red	5.00.888.510/0300
yellow	5.00.888.510/0400
green	5.00.888.510/0500
blue	5.00.888.510/0600
metallized	5.00.888.510/8100



LUMOTAST 16

PUSHBUTTON, ILLUMINATED PUSHBUTTON

→ Through the use of RAFI tactile switches, the LUMOTAST 16 pushbuttons and illuminated pushbuttons offer crisp, tactile feedback – with a distinct key click. They offer an impressively wide range of possible industrial uses and applications.

→ General

Model designation	Pushbutton, illuminated pushbutton
Collar shape	round
Front ring color	black/metallized

→ Mounting dimensions

Collar dimension	23.5 mm
Overall height	22.3 mm
Mounting depth	18.0 mm
Mounting hole	16.2 mm
Key grid	25 x 25 mm

→ Technical data

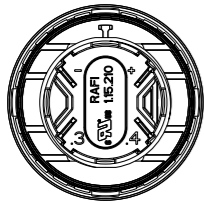
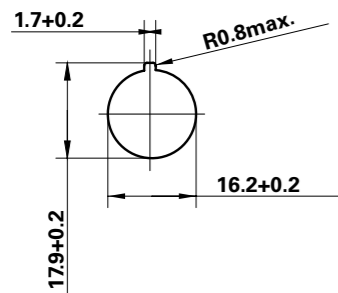
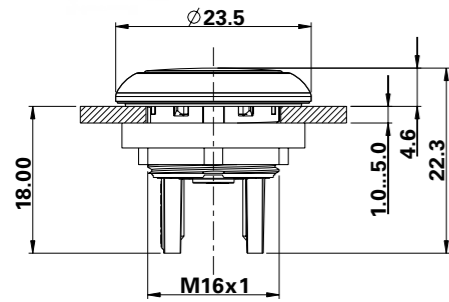
Fixing	Threaded ring
Torque for threaded ring	max. 0.8 Nm
Terminal on the rear	Male quick-connect terminal 2.8 x 0.5 mm
Contact material	Gold

→ Electrical data

Contact configuration	1 NO
Rated voltage, min.	0.02 V
Rated voltage, max.	35 V
Rated current, min.	0.01 mA
Rated current, max.	100 mA
Max. rated voltage as per UL 60 947	30 V AC (42.4 V peak)
Rated power, max.	1 W
LED operating voltage, min.	10 V DC
LED operating voltage, max.	32 V DC
LED operating current, min.	18 mA
LED operating current, max.	22 mA
LED terminal marking	Anode +, Cathode -

→ Other details

Operating temperature	-25°C to +70°C
Storage temperature	-40°C to +80°C
Operating life (switching operations)	500,000
B10	600,000
Degree of protection, front side	IP65; IP67
ROHS compliant	Yes
REACH compliant	Yes



→ LUMOTAST 16 pushbutton

	Color	Order no. Front ring, black	Order no. Front ring, metallized
Pushbutton	opaque black	1.15.210.001/0101	1.15.210.021/0100
Pushbutton	opaque white	1.15.210.001/0201	1.15.210.021/0200
Pushbutton	opaque red	1.15.210.001/0301	1.15.210.021/0300
Pushbutton	opaque yellow	1.15.210.001/0401	1.15.210.021/0400
Pushbutton	opaque green	1.15.210.001/0501	1.15.210.021/0500
Pushbutton	opaque blue	1.15.210.001/0601	1.15.210.021/0600

→ LUMOTAST 16 illuminated pushbutton

	Color	Order no. Front ring, black	Order no. Front ring, metallized
Illuminated pushbutton	translucent white	1.15.210.101/2201	1.15.210.121/2200
Illuminated pushbutton	translucent red	1.15.210.101/2301	1.15.210.121/2300
Illuminated pushbutton	translucent yellow	1.15.210.101/2401	1.15.210.121/2400
Illuminated pushbutton	translucent green	1.15.210.101/2501	1.15.210.121/2500
Illuminated pushbutton	translucent blue	1.15.210.101/2601	1.15.210.121/2600



LUMOTAST 16

EMERGENCY STOP

→ The LUMOTAST 16 emergency stop elements are equipped with up to 3 contacts. This means that, for example, 2 redundant contacts can be earmarked for safety applications, while a signaling contact triggers the position sensing. An additional safety factor for your application. We offer you a further variant with the "active/inactive" emergency stop.

→ General

Series	LUMOTAST 16
Model designation	Emergency stop
Collar shape	round
Color	yellow – red / yellow – translucent

→ Mounting dimensions

Collar dimension	25.0 mm
Overall height	40.8 mm
Mounting depth	18.0 mm
Mounting hole	16.2 mm
Key grid	30 x 30 mm

→ Technical data

Fixing	Threaded ring
Torque for threaded ring	max. 1.5 Nm
Terminal on the rear	Male quick-connect terminal 2.8 x 0.5 mm
Contact material	Gold or silver

→ Gold contacts, electrical data

Contact configuration	see order block
Rated voltage, min.	0.02 V
Rated voltage, max.	35 V
Rated current, min.	1 mA
Rated current, max.	100 mA
Rated power, max.	0.5 W

→ Silver contacts, electrical data

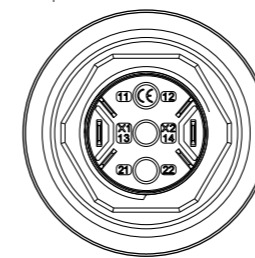
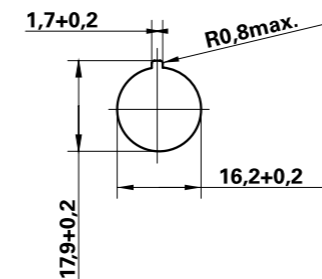
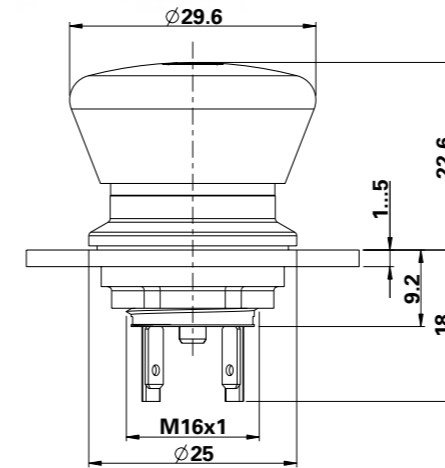
Contact configuration	see order block
Rated voltage, min.	10 V
Rated voltage, max.	35 V
Rated current, min.	15 mA
Rated current, max.	6 A
Rated power, max.	250 W

→ LED electrical data

LED operating voltage, min.	18 V
LED operating voltage, max.	28 V
LED operating current, min.	8 mA
LED operating current, max.	18 mA

→ Other details

Operating temperature	-25°C to +70°C
Storage temperature	-40°C to +80°C
Operating life (switching operations)	30,000
Degree of protection, front side	IP65; IP67
B10	30,000



→ LUMOTAST 16 Emergency stop

Contact configuration	Illumination	Order no. (Silver)	Order no. (Gold)
Emergency stop, 1 NC	No	1.15.213.001 /0000	1.15.213.011 /0000
Emergency stop, 2 NC	No	1.15.213.002 /0000	1.15.213.012 /0000
Emergency stop, 2 NC + 1 NO	No	1.15.213.003 /0000	1.15.213.013 /0000
Emergency stop, 2 NC	illuminated arrows	1.15.213.004 /0000	1.15.213.014 /0000

→ active/inactive emergency stop

	Order no. (Silver)	Order no. (Gold)
active/inactive emergency stop, 2 NC	1.15.213.054/0000	1.15.213.064/0000

The Netherlands



Elektrostraat 17
NL-7483 PG Haaksbergen

T: +31 (0)53 573 33 33
F: +31 (0)53 573 33 30
E: nl@texim-europe.com

Belgium



Zuiderlaan 14 bus 10
B-1731 Zellik

T: +32 (0)2 462 01 00
F: +32 (0)2 462 01 25
E: belgium@texim-europe.com

UK & Ireland



St. Mary's House, Church Lane
Carlton Le Moorland
Lincoln LN5 9HS

T: +44 (0)1522 789 555
F: +44 (0)845 299 22 26
E: uk@texim-europe.com

Germany North



Bahnhofstrasse 92
D-25451 Quickborn

T: +49 (0)4106 627 07-0
F: +49 (0)4106 627 07-20
E: germany@texim-europe.com

Germany South



Martin-Kollar-Strasse 9
D-81829 München

T: +49 (0)89 436 086-0
F: +49 (0)89 436 086-19
E: germany@texim-europe.com

Austria



Warwitzstrasse 9
A-5020 Salzburg

T: +43 (0)662 216 026
F: +43 (0)662 216 026-66
E: austria@texim-europe.com

Nordic region



Sdr. Jagtvej 12
DK-2970 Hørsholm

T: +45 88 20 26 30
F: +45 88 20 26 39
E: nordic@texim-europe.com

Italy



Via Matteotti 43
IT-20864 Agrate Brianza (MB)

T: +39 (0)395 967 226
F: +39 (0)395 967 226
E: italy@texim-europe.com

General information



info@texim-europe.com
www.texim-europe.com